

JONATHAN
BROWNING
STUDIOS

2024 CATALOG V13.7

J | B

JONATHAN
BROWNING





"I have two great obsessions: French Beaux Arts classicism, and 20th Century industrial design. There is a constant tension between the two in everything I design, whether product or interiors."

– JB

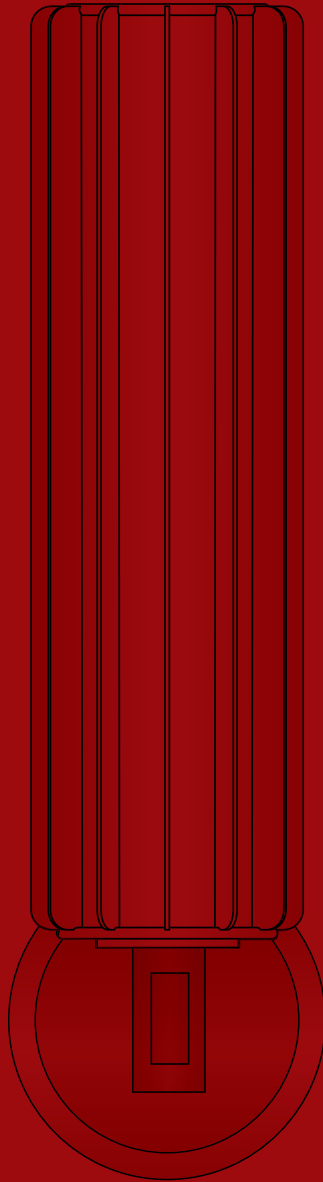
Founded in 2003 by Jonathan Browning and Marco Heithaus, Jonathan Browning Studios designs and manufactures some of the finest bronze, brass, and glass fixtures in the world. By producing only small quantities, we are able to offer some of the highest quality products available. Using advanced 3D modeling techniques, we design and engineer fixtures to tight tolerances uncommon to the industry. A love of classicism and industrial design sets the tone for the collections, whether they be chandeliers and sconces, floor lamps and table lamps, or furniture. Timeless and elegant, these fixtures are manufactured to a standard rarely seen today, and are meant to last forever.



WALL FIXTURES		W	FLUSH MOUNTS		C
ALOUETTE SCONCE	5	BOUILLANT FUNNEL PENDANT	126	ANTHÉRON FLUSH MOUNT	255
ALOUETTE DOUBLE SCONCE	7	CANTENAC CIRCULAR CHANDELIER	128	ALENÇON FLUSH MOUNT	257
ALOUETTE LINEAR SCONCE	9	CANTENAC PENDANT	130	CARON FLUSH MOUNT	259
AMBOISE SCONCE	11	CAMUS CHANDELIER	132	CHAMONT FLUSH MOUNT	261
APOLLINAIRE SCONCE	13	CHAMONT CHANDELIER	134	CHARTIER FLUSH MOUNT	263
AVION SCONCE	15	CHAMONT LAVALIER	136	DUVERNOIS FLUSH MOUNT	265
BROUILLON SCONCE	17	CHAMONT PENDANT	138	GLAÇON SINGLE LIGHT	267
CANTENAC SCONCE	19	CHARLOT CIRCULAR CHANDELIER	140	GLAÇON 4 LIGHT	269
CHAILLLOT SCONCE	21	CHARLOT PENDANT	142	GLAÇON 9 LIGHT FLUSH MOUNT	271
CHAMONIX SCONCE	23	CHARTIER 10 LIGHT CIRCULAR CHANDELIER	144	LEMONNIER FLUSH MOUNT	273
CHAMONT SCONCE	25	CHARTIER CIRCULAR CHANDELIER	146	LOURMARIN FLUSH MOUNT	275
CHARLOT SCONCE	27	CHARTIER LINEAR CHANDELIER	148	MAUBEC FLUSH MOUNT	277
CHARTIER HANGING SCONCE	29	CHARTIER PENDANT	150	PÉRIGORD FLUSH MOUNT	279
CHARTIER SCONCE	31	CHARTIER SQUARE CHANDELIER	152	PERRET FLUSH MOUNT	281
CHATELET SCONCE	33	CHATELET CIRCULAR CHANDELIER	154	ROQUEBRUN FLUSH MOUNT	283
CHAUSSON SCONCE	35	CHATELET LINEAR CHANDELIER	156	ROUVILLE FLUSH MOUNT	285
CORNICHE SCONCE	37	CHATELET PENDANT	158	SHIELD FLUSH MOUNT	287
DAUPHINE SCONCE	39	CORNICHE CIRCULAR CHANDELIER	160	VILLIERS FLUSH MOUNT	289
■ DESSAY SCONCE	41	CORNICHE LINEAR CHANDELIER	162	VERMANDOIS FLUSH MOUNT	291
■ DESSAY DOUBLE SCONCE	43	CORNICHE PENDANT	164		
DUVERNOIS SCONCE	45	CORNICHE 4 LIGHT PENDANT	166		
FONTENAY SCONCE	47	■ DESSAY CIRCULAR CHANDELIER	168		
FRANCAIX SCONCE	49	■ DESSAY LINEAR CHANDELIER	170	OUTDOOR FIXTURES	O
GLAÇON SQUARE SCONCE	51	DUBREUIL PENDANT	172	ALOUETTE OUTDOOR SCONCE	294
GLAÇON TALL SCONCE	53	DUVERNOIS LAVALIER	174	AMBOISE OUTDOOR SCONCE	296
GLAÇON SHORT SCONCE	55	FONTENAY LINEAR CHANDELIER	176	BROUILLON OUTDOOR SCONCE	298
GLAÇON SINGLE LIGHT	57	FONTENAY PENDANT	178	LECLERC OUTDOOR SCONCE	300
GLAÇON 4 LIGHT	59	FRANCAIX PENDANT	180	PASTIS OUTDOOR SCONCE	302
LECLERC SCONCE	61	GLAÇON PENDANT	182	VENTOUX OUTDOOR SCONCE	304
LE PENTAGONE SCONCE	63	LAURISTON CIRCULAR CHANDELIER	184		
MALLET SWING ARM SCONCE	65	■ LAURISTON CLUSTER PENDANT	186		
MARAIS SCONCE	67	LAURISTON PENDANT	188	FLOOR FIXTURES	F
MEUDON SCONCE	69	LAURISTON 2 LIGHT PENDANT	190	■ DESSAY TASK LAMP	307
MONTALEMBERT SCONCE	71	LAURISTON 4 LIGHT PENDANT	192	DUVERNOIS FLOOR LAMP	309
MONTFAUCON SINGLE SCONCE	73	LE DIAMANT CHANDELIER	194	SANNES FLOOR LAMP	311
PASTIS SCONCE	75	LE PENTAGONE CHANDELIER	196	VANEAU TASK LAMP	313
PASTIS DOUBLE SCONCE	77	LE PETITE PENTAGONE	198	VIDAME FLOOR LAMP	315
PLATIERE SCONCE	79	LE PENTAGONE PENDANT	200		
PLATIERE DOUBLE SCONCE	81	MONTALEMBERT CHANDELIER – 6 LIGHT	202	TABLE FIXTURES	T
PLATIERE VANITY SCONCE	83	MONTALEMBERT CHANDELIER – 3 LIGHT	204	ANJOU TABLE LAMP	318
SHIELD SCONCE	85	MONTALEMBERT 4 LIGHT PENDANT	206	AMBRAULT TABLE LAMP	320
VALDAMPIERRE SCONCE	87	MONTALEMBERT LINEAR CHANDELIER	208	DESMOULINS TABLE LAMP	322
VALETTE SCONCE	89	MONTFAUCON CHANDELIER	210	■ GIRARDOT TABLE LAMP	324
VENTOUX SCONCE	91	MONTFAUCON CHANDELIER	210	DUVERNOIS TABLE LAMP	326
VENTOUX DOUBLE ARM SCONCE	93	MONTFAUCON 3 LIGHT PENDANT	212	GLAÇON RECTANGULAR TABLE LAMP	328
VINCENNES SCONCE	95	MONTFAUCON PENDANT	214	GLAÇON SQUARE TABLE LAMP	330
■ VOLTAIRE SCONCE	97	PASTIS LINEAR CHANDELIER	216	MONTPENSIER TABLE LAMP	332
■ VOLTAIRE DOUBLE SCONCE	99	PASTIS 4 LIGHT PENDANT	218	TOURVILLE TABLE LAMP	334
■ VOLTAIRE TALL SCONCE	101	PASTIS 4 LIGHT PENDANT	218	VENTOUX TABLE LAMP	336
		PASTIS CIRCULAR CHANDELIER	220		
		PLATIERE CIRCULAR CHANDELIER	222		
		PLATIERE LINEAR CHANDELIER	224		
		RAMEAU 10 LIGHT CIRCULAR CHANDELIER	226	ACCESSORIES	A
		RAMEAU CIRCULAR CHANDELIER	228	ANJOU COCKTAIL TABLE	339
		RAMEAU LINEAR CHANDELIER	230	LEDoux COCKTAIL TABLE	341
		RAMEAU PENDANT	232	MACHAUT FIRESCREEN	343
		TRUMILLY AMPHORA PENDANT	234	PASCAL FIRESCREEN	345
		TRUMILLY CLOCHE PENDANT	236	QUENTIN COCKTAIL TABLE	347
		TRUMILLY CYLINDER PENDANT	238	TIGES FIRESCREEN	349
		VALETTE CIRCULAR CHANDELIER	240		
		VALETTE LINEAR CHANDELIER	242		
		VALETTE PENDANT	244		
		VICHY LINEAR CHANDELIER	246		
		VICHY PENDANT	248		
		■ VOLTAIRE CIRCULAR CHANDELIER	250		
		■ VOLTAIRE MOBILE CHANDELIER	252		

■ INDICATES NEW PRODUCTS

W A L L F I X T U R E S







All Lighting Design and Design Elements are ©2013 by Jonathan Browning Studios, Inc.

ALOUETTE SCONCE

DESCRIPTION

The Alouette Sconce is machined from solid brass. All parts are hand polished and plated. Its borosilicate glass shade is fire polished by hand.

FINISHES

Shown in Lite Antique and Oil Rubbed Bronze (standard). Please inquire about our other finishes. Note: All finishes may vary slightly.

SHADE

Reeded borosilicate glass. Also available in frosted glass. Two available sizes: 8.5" and 13.5". 8.5" shown in photos and line drawing.

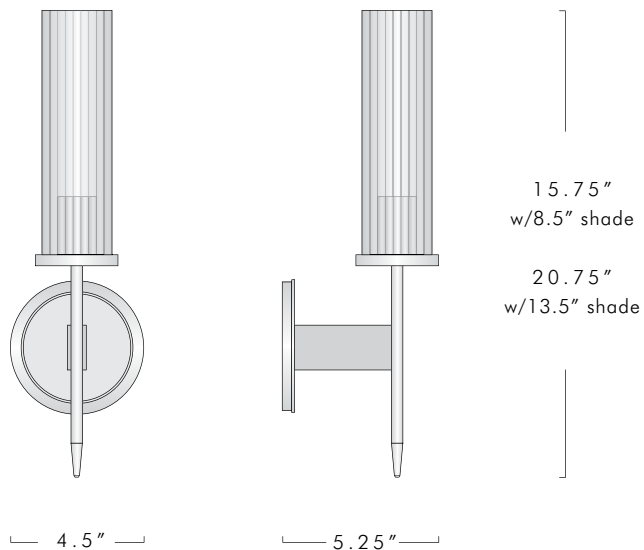
MODEL #	DIMENSIONS	NET WT.
1 3 1 3	4.5 W x 5.25 D x 15.75 H	5 lbs

BACK PLATE / J-BOX

4.5" Diameter

ELECTRICAL

1 x E26 60w T10 (8.5" glass version) – LED available
1 x E26 75w T8 (13.5" glass version)







All Lighting Design and Design Elements are ©2017 by Jonathan Browning Studios, Inc.

ALOUETTE DOUBLE SCONCE

DESCRIPTION

The Alouette Double Sconce is machined from solid brass. All parts are hand polished and patina'd. Its borosilicate glass shades are fire polished by hand.

FINISHES

Shown in Lite Antique and Oil Rubbed Bronze (standard). Please inquire about our other finishes. Note: All finishes may vary slightly.

SHADE

Reeded borosilicate glass. Also available in frosted glass. Two available sizes: 8.5" and 13.5". 13.5" shown in photos and line drawing.

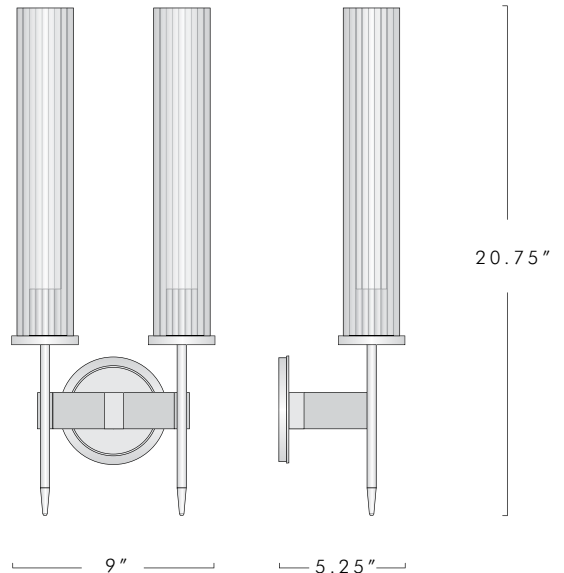
MODEL #	DIMENSIONS	NET WT.
1706	9 W x 5.25 D x 20.75 H	7 lbs

BACK PLATE / J-BOX

4.5" Diam. / Top to J-Box center: 16.375"

ELECTRICAL

2 x E26 60w T10 (8.5" glass version) – LED available
 2 x E26 75w T8 (13.5" glass version) – LED available







ALOUETTE LINEAR SCONCE

DESCRIPTION

The Alouette Linear Sconce is machined from solid brass. The entire fixture is hand polished and patina'd. The shades are ribbed borosilicate glass and are fire polished by hand. Can be mounted horizontally or vertically.

FINISHES

Shown in Lite Antique and Oil Rubbed Bronze (standard). Also available in Polished Nickel, and Satin Nickel. Please note: All finishes may vary slightly.

SHADE

Reeded borosilicate glass. Also available in frosted glass.

MODEL

1 5 0 6

DIMENSIONS

4.25"W x 5.25" D x 21.75 H

NET WT.

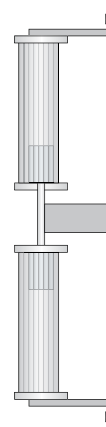
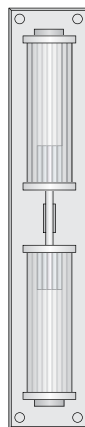
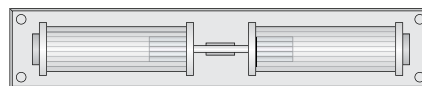
10 lbs

BACK PLATE / J-BOX

4.25 x 21.75 / Top to J-Box center: 10.875"
Some additional blocking may be required.

ELECTRICAL

2 x E26 60w - 120 max - LED available



21.75"

4.25"

5.25"







All Lighting Design and Design Elements are ©2011 by Jonathan Browning Studios, Inc.

AMBOISE SCONCE

DESCRIPTION

The Amboise Sconce is machined completely by hand. All parts are hand polished and plated. Its shade is reeded borosilicate glass, fire polished by hand.

FINISHES

Shown in Oil Rubbed Bronze (standard). Please inquire about our other finishes. Note: All finishes may vary slightly.

SHADE

Reeded Borosilicate Glass. Also available in Frosted Glass.

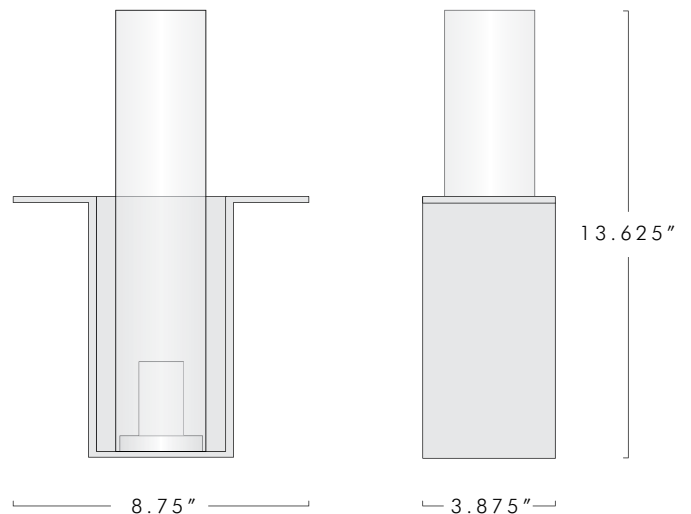
MODEL #	DIMENSIONS	NET WT.
1 1 0 1	8.75 W x 3.875 D x 13.625 H	5 lbs

BACK PLATE / J-BOX

4.75 W x 8 H / Top to J-Box center: 10.5"

ELECTRICAL

1 x E26 40w T8 - 75w max
1 x E26 3.5w T8 LED filament bulb available







All Lighting Design and Design Elements are ©2016 by Jonathan Browning Studios, Inc.

APOLLINAIRE SCONCE

DESCRIPTION

The Apollinaire Sconce is machined from solid brass. All parts are hand polished and patina'd. The lead crystal shade is turned and polished by hand.

FINISHES

Shown in Lite Antique Bronze and Oil Rubbed Bronze (standard). Please inquire about our other finishes. Note: All finishes may vary slightly.

SHADE

Lead Crystal.

MODEL #	DIMENSIONS	NET WT.
1 6 0 6	4.5 W x 5.375 D x 26 OAH*	6 lbs

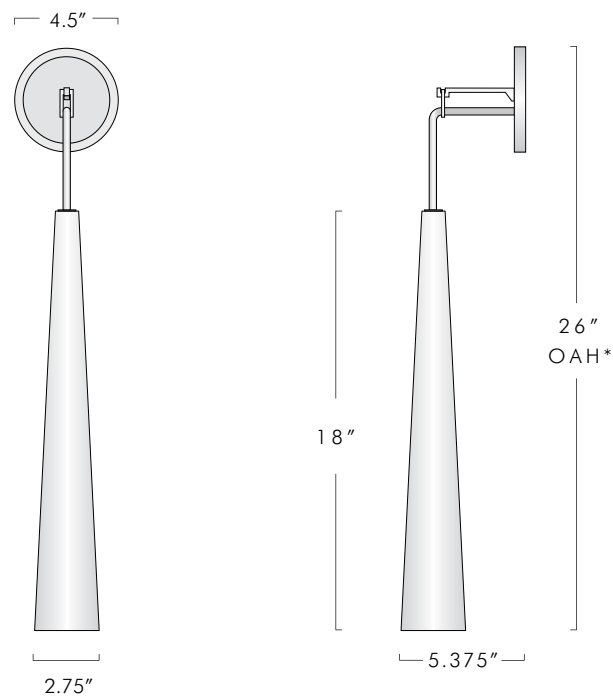
BACK PLATE / J-BOX

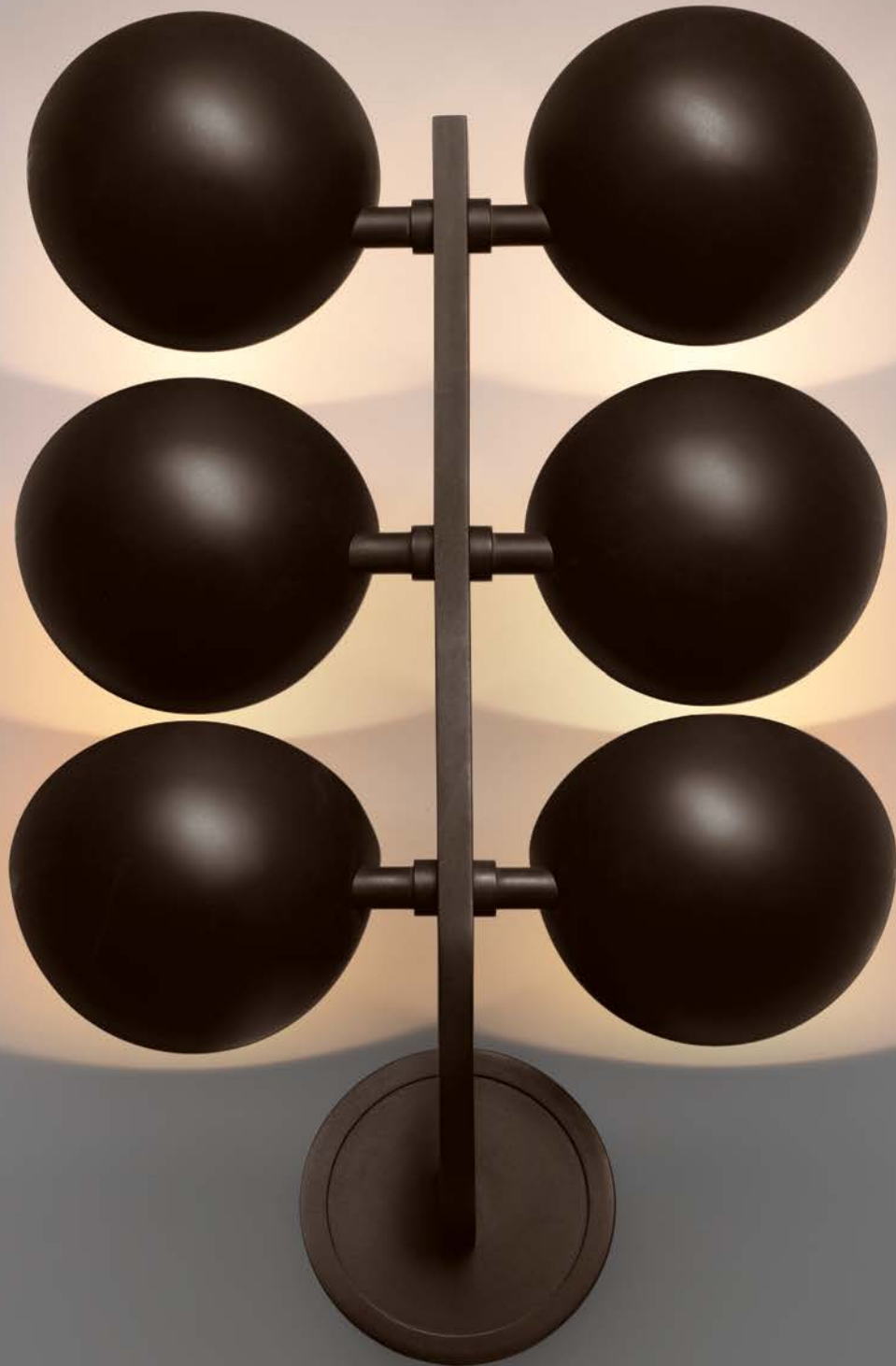
4.5" Diameter / Top to J-Box center: 2.25"

ELECTRICAL

1 x 5w LED Bulb Only - (40w incandescent equivalent)
Warm White, Dimmable

*Custom drop lengths can be specified.







All Lighting Design and Design Elements are ©2015 by Jonathan Browning Studios, Inc.

AVION SCONCE

DESCRIPTION

The Avion Sconce is handmade from solid brass. Each half round orb is turned by hand individually. All parts are hand polished and patina'd.

FINISHES

Shown in Oil Rubbed Bronze (standard). Please inquire about our other finishes. Note: All finishes may vary slightly.

SHADE

Brass. Hand turned.

MODEL

1 5 0 0

DIMENSIONS

12.5 W x 5.75 D x 17.75 H

NET WT.

4.5 lbs

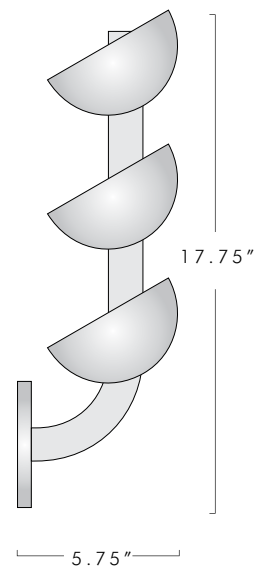
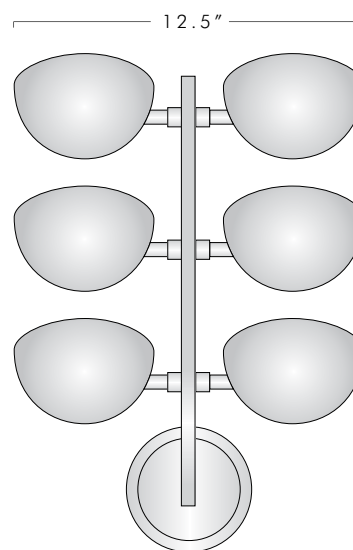
BACK PLATE / J-BOX

4.5" Diameter / Top to J-Box center: 15.5"

ELECTRICAL

6 x G9 40w - 240w max

Ask about LED option







All Lighting Design and Design Elements are ©2019 by Jonathan Browning Studios, Inc.

BROUILLON SCONCE

DESCRIPTION

The Brouillon Sconce is made from solid brass. All parts are hand polished and patina'd. The body is made from one continuous piece.

FINISHES

Shown in Oil Rubbed Bronze and Lite Antique Bronze (standard). Please inquire about our other finishes. Note: All finishes may vary slightly.

SHADE

Brass

MODEL

1 8 2 8

DIMENSIONS

7" W x 4.25" D x 12" H

NET WT.

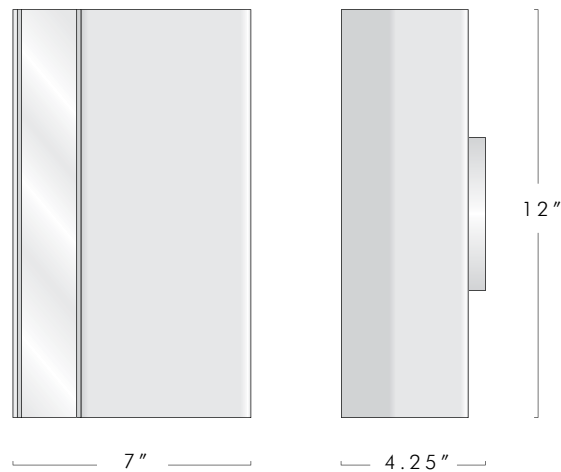
11 lbs

BACK PLATE / J-BOX

4.5" Diameter / Top to J-Box Center: 6"

ELECTRICAL

2 x G9 3.5W LED - 120W Max - LED Standard







All Lighting Design and Design Elements are ©2022 by Jonathan Browning Studios, Inc.

CANTENAC SCONCE

DESCRIPTION

The CANTENAC SCONCE is made by hand from thick-walled brass tubing. The ceiling plate and arm are machined from solid brass. All parts are hand polished and patina'd. The shade exterior is finished in Black Bronze and the interior is Lite Antique Bronze.

FINISHES

Shown in Black Bronze and Lite Antique Bronze (standard). Please inquire about our other finishes. Note: All finishes may vary slightly.

SHADE

Brass.

MODEL #	DIMENSIONS	NET WT.
2 2 0 2	4.5W x 5.625 D x 20H*	3.5 lbs

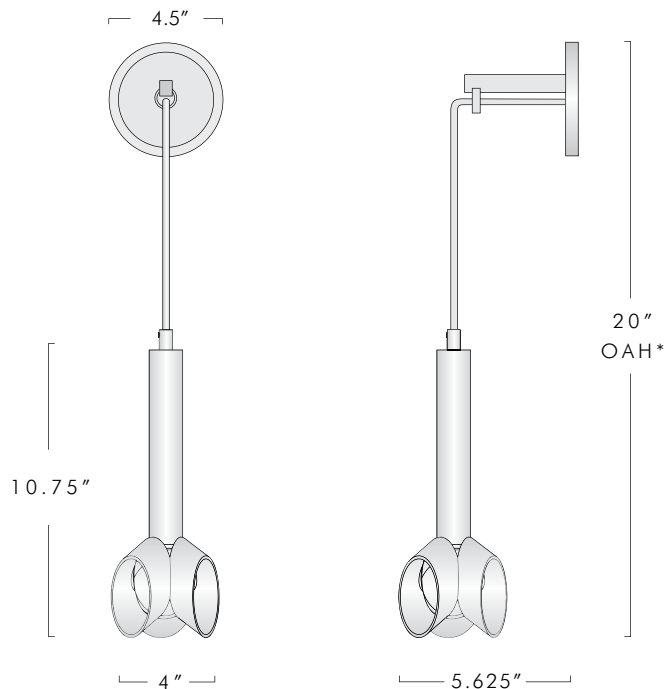
WALL PLATE / J-BOX

4.5" Diameter / Top to J-Box center: 2.25"

ELECTRICAL

1 x E12 4W LED Bulb Only

*Custom drop lengths can be specified.







All Lighting Design and Design Elements are ©2016 by Jonathan Browning Studios, Inc.

CHAILLOT SCONCE

DESCRIPTION

The Chaillot sconce is machined by hand from solid brass. All parts are hand polished and patina'd. The lead crystal shade is turned and polished by hand.

FINISHES

Shown in Oil Rubbed Bronze (standard). Please inquire about our other finishes. Note: All finishes may vary slightly.

SHADE

Lead Crystal.

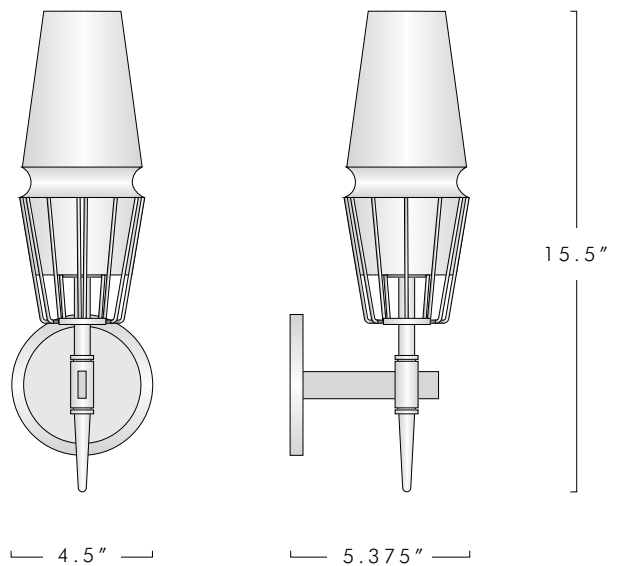
MODEL #	DIMENSIONS	NET WT.
1 6 0 0	4.5 W x 5.375 D x 15.5 H	9 lbs

BACK PLATE / J-BOX

4.5" Diameter / Top to J-Box center: 12"

ELECTRICAL

1 x E12 25w - 60w max - LED Available







CHAMONIX SCONCE

DESCRIPTION

The Chamonix Sconce is made of lead crystal. Each crystal shade is made by hand. The metal backplate and stem are machined and polished by hand from solid brass.

FINISHES

Shown in Oil Rubbed Bronze (standard). Please inquire about our other finishes. Note: All finishes may vary slightly.

SHADE

Lead Crystal.

MODEL #	DIMENSIONS	NET WT.
1 5 0 8	5.125 W x 7 D x 26 OAH*	7 lbs

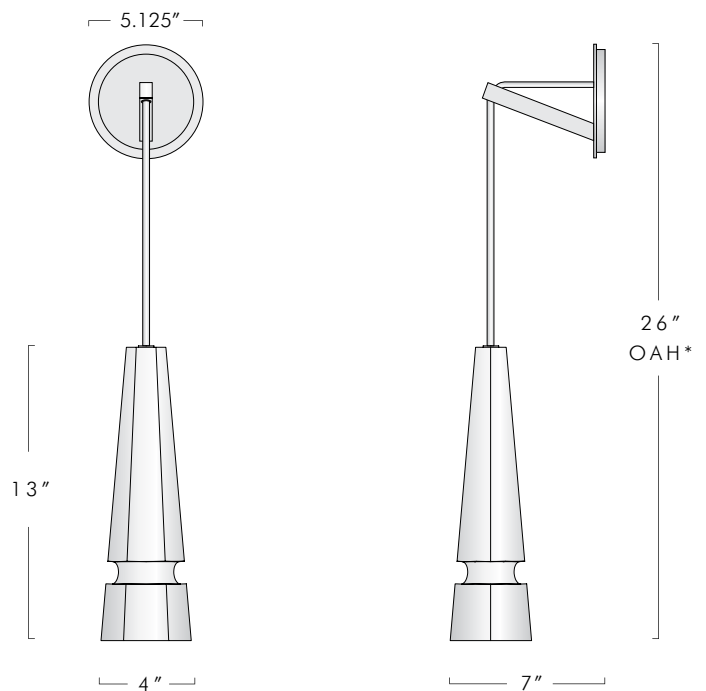
BACK PLATE / J-BOX

5.125" Diameter / Top to J-Box center: 2.5"

ELECTRICAL

1 x 5w LED Bulb Only - (40w incandescent equivalent)
Warm White, Dimmable

*Custom drop lengths can be specified.







All Lighting Design and Design Elements are ©2013 by Jonathan Browning Studios, Inc.

CHAMONT SCONCE

DESCRIPTION

The Chamont Sconce is machined by hand from solid brass. The rectangular arm provides the structure for the lead crystal shade to sit. This shade is hand worked on a diamond wheel to achieve its detail.

FINISHES

Shown in Oil Rubbed Bronze (standard). Please inquire about our other finishes. Note: All finishes may vary slightly.

SHADE

Lead Crystal.

MODEL

1 3 1 1

DIMENSIONS

4.5 W x 4.5 D x 11.625 H

NET WT.

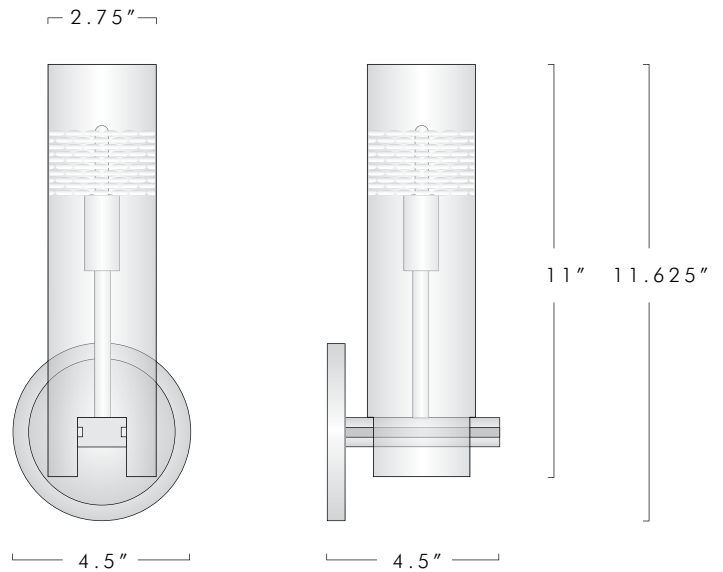
4.5 lbs

BACK PLATE / J-BOX

4.5" Diameter / Top to J-Box center: 9.375"

ELECTRICAL

1 x E12 - 60w max - LED Available







All Lighting Design and Design Elements are ©2018 by Jonathan Browning Studios, Inc.

CHARLOT SCONCE

DESCRIPTION

The Charlot Sconce is made from smoked borosilicate glass. The ceiling plate and socket cover are machined and polished by hand from solid brass.

FINISHES

Shown in Black Bronze (standard). Please inquire about our other finishes. Note: All finishes may vary slightly.

SHADE

Smoked Borosilicate Glass.

MODEL #	DIMENSIONS	NET WT.
1 8 1 5	5.125 W x 6 D x 22 OAH*	5 lbs

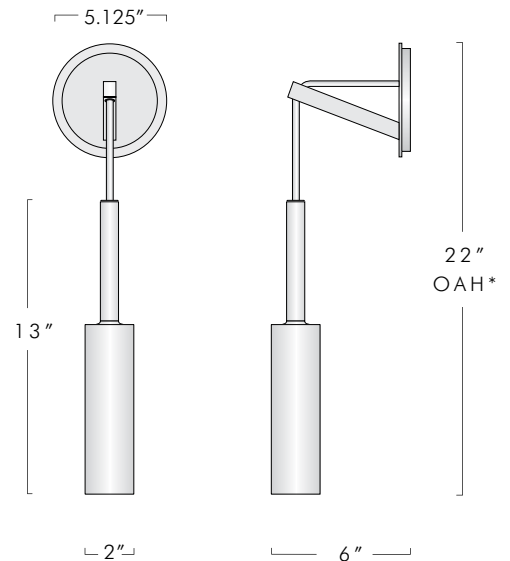
BACK PLATE / J-BOX

5.125" Diameter / Top to J-Box center: 2.563"

ELECTRICAL

1 x E12 4W LED Bulb Only
Warm White, Dimmable

*Custom drop lengths can be specified.







All Lighting Design and Design Elements are ©2023 by Jonathan Browning Studios, Inc.

CHARTIER HANGING SCONCE

DESCRIPTION

The Chartier Hanging Sconce is machined from solid brass. All parts are hand polished and patina'd. The clear lead crystal shade is hand polished.

FINISHES

Shown in Oil Rubbed Bronze (standard). Please inquire about our other finishes. Note: All finishes may vary slightly.

SHADE

Clear Lead Crystal.

MODEL

2 3 0 1

DIMENSIONS

4.5W x 6.5D x 22H*

NET WT.

10 lbs

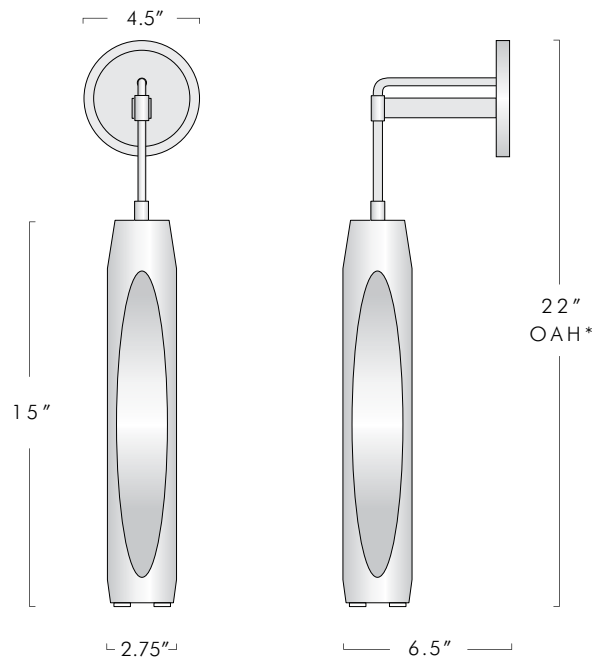
BACK PLATE

4.5" Diameter / Top to J- Box Center: 2.25"

ELECTRICAL

1 x E26 3.5W T8 LED filament bulb only

*Custom drop lengths can be specified.







All Lighting Design and Design Elements are ©2018 by Jonathan Browning Studios, Inc.

CHARTIER SCONCE

DESCRIPTION

The Chartier Sconce is machined from solid brass. All parts are hand polished and patina'd. The lead crystal shade is hand polished.

FINISHES

Shown in Oil Rubbed Bronze (standard). Please inquire about our other finishes. Note: All finishes may vary slightly.

SHADE

Lead Crystal.

MODEL

1704

DIMENSIONS

5W x 7.25D x 10.5H

NET WT.

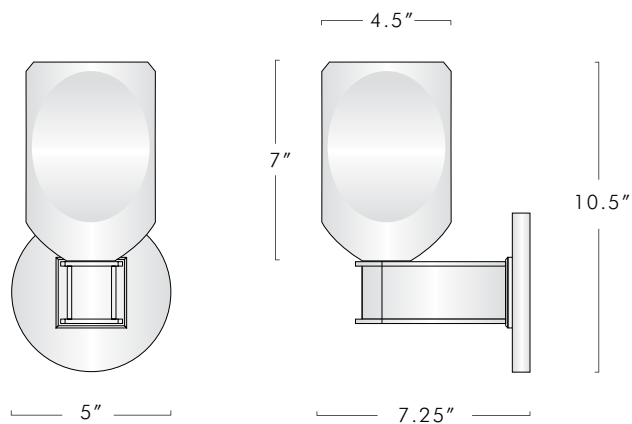
13 lbs

BACK PLATE / J-BOX

5" Diameter / Top to J-Box Center: 8"

ELECTRICAL

1 x E26 25W - 60W Max - LED Available







All Lighting Design and Design Elements are ©2018 by Jonathan Browning Studios, Inc.

CHATELET SCONCE

DESCRIPTION

The Chatelet Sconce is machined from solid brass. All parts are hand polished and patina'd. The lead crystal shade is hand carved and polished.

FINISHES

Shown in Oil Rubbed Bronze (standard). Please inquire about our other finishes. Note: All finishes may vary slightly.

SHADE

Lead Crystal in either Clear or Canary.

MODEL #	DIMENSIONS	NET WT.
1 7 0 7	4.5W x 6.75D x 17.25H*	8 lbs

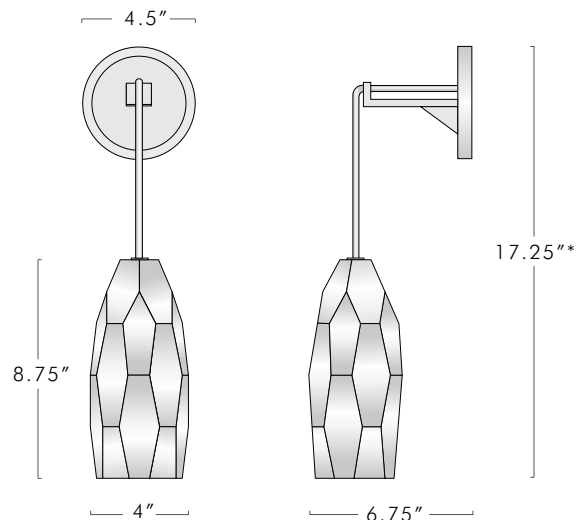
BACK PLATE / J-BOX

4.5" Diameter / Top to J-Box Center: 2.25"

ELECTRICAL

1 x E12 5W LED Bulb Only - (40W incandescent equivalent)

*Custom drop lengths can be specified







CHAUSSON SCONCE

DESCRIPTION

The Chausson Sconce is made by hand and machined from thick walled brass. All parts are hand polished and patina'd. The exterior is finished in Black Bronze and the interior is finished in Lite Antique Bronze.

FINISHES

Shown in Black Bronze exterior and Lite Antique Bronze interior (standard). Please inquire about our other finishes. Note: All finishes may vary slightly.

SHADE

Brass

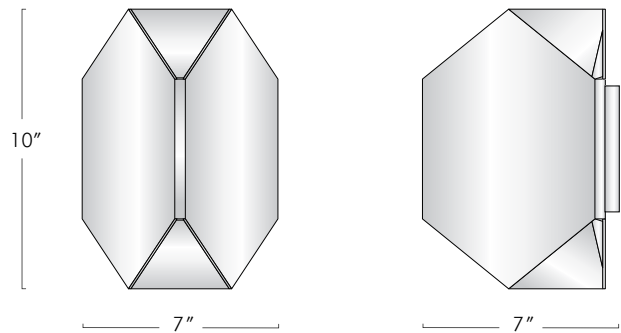
MODEL #	DIMENSIONS	NET WT.
1 7 7 0	7W x 7D x 10H	10 lbs

BACK PLATE / J-BOX

4.5" Diameter / Top to J-Box Center: 5"

ELECTRICAL

1 x E26 60W - 75W Max - LED Available







All Lighting Design and Design Elements are ©2018 by Jonathan Browning Studios, Inc.

CORNICHE SCONCE

DESCRIPTION

The Corniche Sconce is machined by hand from solid brass. All parts are hand polished and patina'd. The shade is made from ivory silk.

FINISHES

Shown in Oil Rubbed Bronze (standard). Please inquire about our other finishes. Note: All finishes may vary slightly.

SHADE

Ivory Silk.

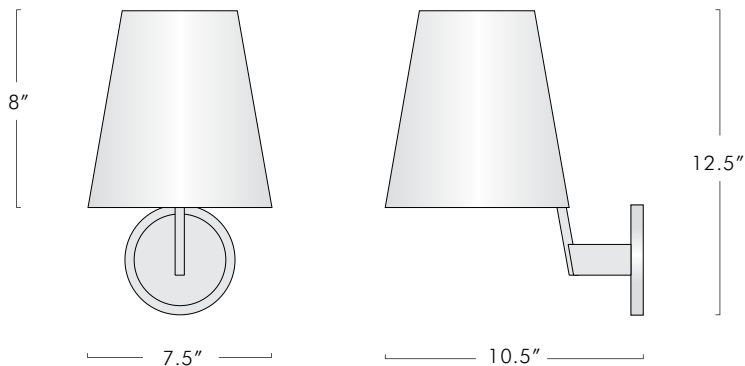
MODEL #	DIMENSIONS	NET WT.
1 8 1 3	7.5 W x 10.5 D x 12.5 H	5 lbs

BACK PLATE / J-BOX

4.5" Diameter / Top to J-Box center: 10"

ELECTRICAL

1 x E12 4W LED - 40W Max - LED Standard







All Lighting Design and Design Elements are ©2010 by Jonathan Browning Studios, Inc.

DAUPHINE SCONCE

DESCRIPTION

The Dauphine Sconce has been machined completely by hand. All parts are hand polished and plated. The metal shade is individually turned on a lathe.

FINISHES

Shown in Oil Rubbed Bronze (standard). Please inquire about our other finishes. Note: All finishes may vary slightly.

SHADE

Metal. Also available in Clear Glass, Frosted Glass, and Silk.

MODEL

1 0 0 4

DIMENSIONS

4.5 W x 26.5 H x 5 D

NET WT.

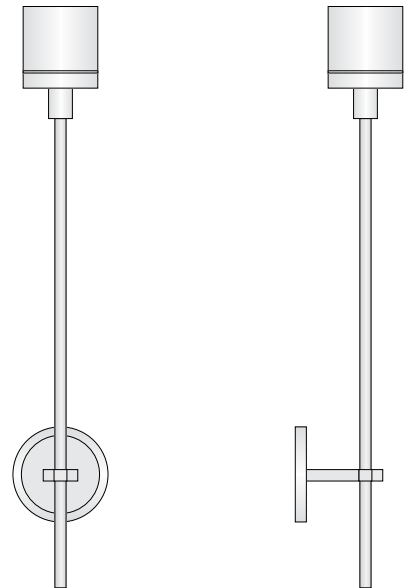
5 lbs

BACK PLATE / J-BOX

4.5" Diameter / Top to J-Box center: 21"

ELECTRICAL

1 x E12 - 60w max - LED Available







All Lighting Design and Design Elements are ©2023 by Jonathan Browning Studios, Inc.

DESSAY SCNCE

DESCRIPTION

The Dessay Sconce is machined from solid brass. All parts are hand polished and patina'd. The shade is made from ivory silk.

FINISHES

Shown in Oil Rubbed Bronze (standard). Please inquire about our other finishes. Note: All finishes may vary slightly.

SHADE

Ivory Silk.

MODEL

2311

DIMENSIONS

5 W x 6.5 D x 16.5 H

NET WT.

8 lbs

BACK PLATE / J-BOX

Top to J-Box center: 8.25"

ELECTRICAL

1 x E26 T9L 5W LED bulb only



5"



6.5"

16.5"







DESSAY DOUBLE SCONCE

DESCRIPTION

The Dessay Double Sconce is machined from solid brass. All parts are hand polished and patina'd. The shades are made from ivory silk.

FINISHES

Shown in Lite Antique Bronze and Oil Rubbed Bronze (standard). Please inquire about our other finishes. Note: All finishes may vary slightly.

SHADE

Ivory Silk.

MODEL #

2 3 1 0

DIMENSIONS

20.5 W x 6.75 D x 6 H

NET WT.

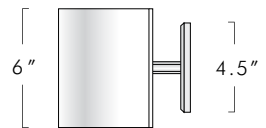
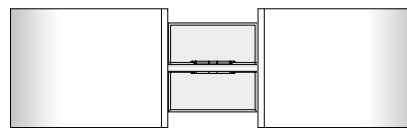
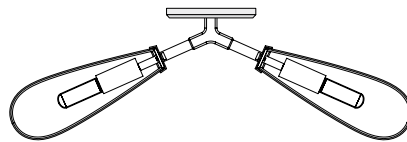
4 lbs

BACK PLATE / J-BOX

4.5" Square - Top to J-Box center: 3"

ELECTRICAL

2 x E12 T6 4W LED bulb only



20.5"

6.75"







All Lighting Design and Design Elements are ©2020 by Jonathan Browning Studios, Inc.

DUVERNOIS SCONCE

DESCRIPTION

The Duvernois Sconce is made of solid brass. All parts are hand polished and patina'd. The frosted glass shade is surrounded by a column of brass fins.

FINISHES

Shown in Lite Antique Bronze (standard). Please inquire about our other finishes. Note: All finishes may vary slightly.

SHADE

Frosted Glass.

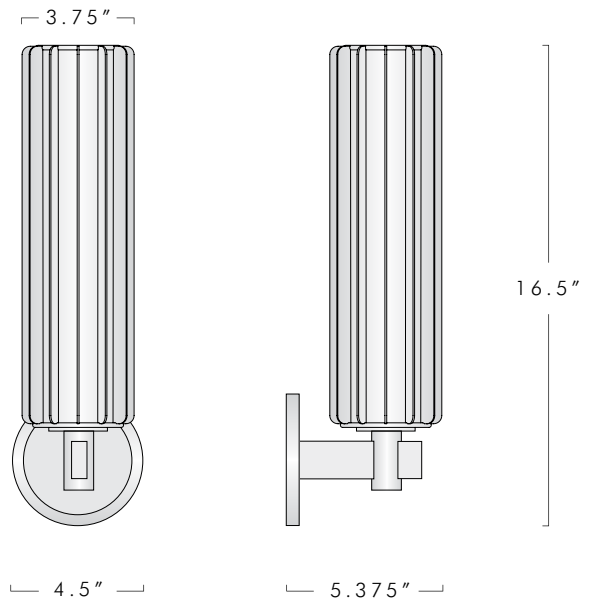
MODEL #	DIMENSIONS	NET WT.
1 9 3 2	4.5 W x 5.375 D x 16.5 H	8 lbs

BACK PLATE / J-BOX

4.5" Diameter / Top to J-Box center: 14.25"

ELECTRICAL

1 x E26 40W - 75W Max - LED Available







All Lighting Design and Design Elements are ©2015 by Jonathan Browning Studios, Inc.

FONTENAY SCONCE

DESCRIPTION

The Fontenay Sconce is handmade of lead crystal. The backplate and socket cover are turned by hand from solid brass.

FINISHES

Shown in Black Bronze (standard). Please inquire about our other finishes. Note: All finishes may vary slightly.

SHADE

Lead Crystal.

MODEL

1 5 0 2

DIMENSIONS

5.125 W x 7.5 D x 26 OAH*

NET WT.

9 lbs

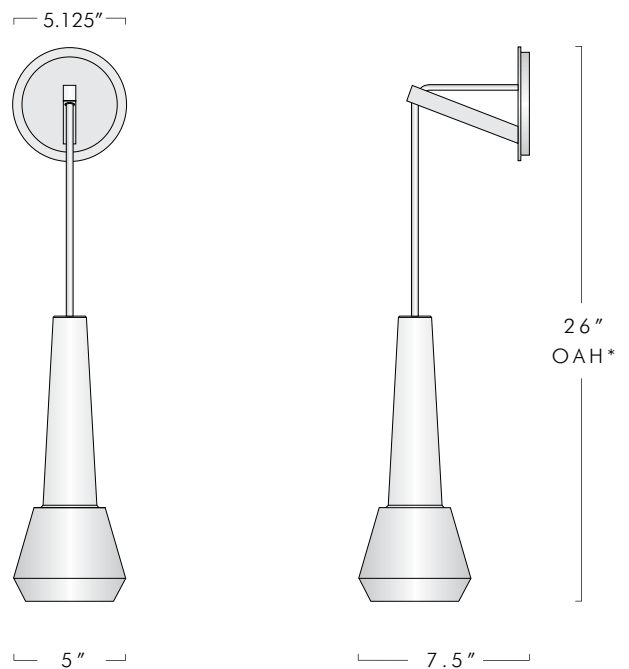
BACK PLATE / J-BOX

5.125" Diameter / Top to J-Box center: 2.5"

ELECTRICAL

1 x 5w LED Bulb Only - (40w incandescent equivalent)
Warm White, Dimmable

*Custom drop lengths can be specified.







CLEAR CRYSTAL



OPALESCENT CRYSTAL

FRANCAIX SCONCE

DESCRIPTION

The Francaix Sconce is machined from solid brass. All parts are hand polished and patina'd. The lead crystal panels are machined and polished by hand.

FINISHES

Shown in Oil Rubbed Bronze (standard). Please inquire about our other finishes. Note: All finishes may vary slightly.

SHADE

Crystal in both a clear and opalescent option.

MODEL

1 9 2 0

DIMENSIONS

6.5 W x 5.63 D x 17.25 H

NET WT.

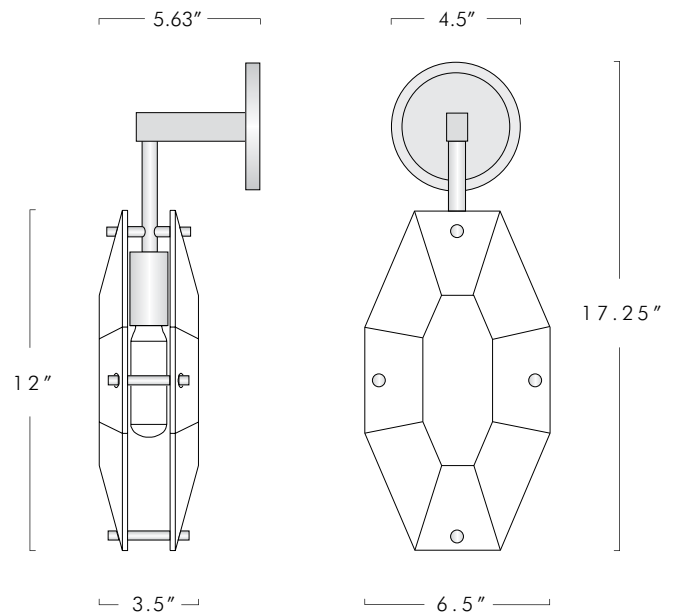
10 lbs

BACK PLATE / J-BOX

4.5" Diameter / Top to J-Box center: 2.25"

ELECTRICAL

1 x E26 40w - 60watt max - LED Available







All Lighting Design and Design Elements are ©2018 by Jonathan Browning Studios, Inc.

GLAÇON SQUARE SCONCE

DESCRIPTION

The Glaçon Square Sconce is machined from solid brass. All parts are hand polished and patina'd. Each lead crystal half is hand carved and polished, held in place by 4 individual brass pins. The brass band secures each piece of crystal to the wall plate.

FINISHES

Shown in Lite Antique and Oil Rubbed Bronze (standard). Please inquire about our other finishes. Note: All finishes may vary slightly.

SHADE

Lead Crystal.

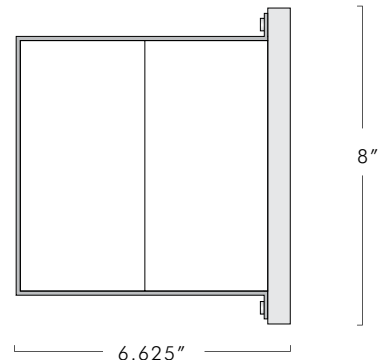
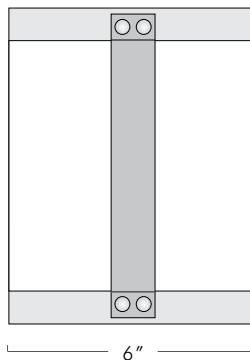
MODEL #	DIMENSIONS	NET WT.
1 7 8 0	6 W x 6.625 D x 8 H	30 lbs

BACK PLATE / J-BOX

6" W x 8" H - Top to J-Box center: 4"
Additional blocking or anchoring may be required.

ELECTRICAL

1 x E12 25W - 40W Max - LED Available







GLAÇON TALL SCONCE

DESCRIPTION

The Glaçon Tall Sconce is machined from solid brass. All parts are hand polished and patina'd. The lead crystal is hand carved and polished. The brass band secures the crystal to the wall plate.

FINISHES

Shown in Lite Antique Bronze and Oil Rubbed Bronze (standard). Please inquire about our other finishes. Note: All finishes may vary slightly.

SHADE

Lead Crystal.

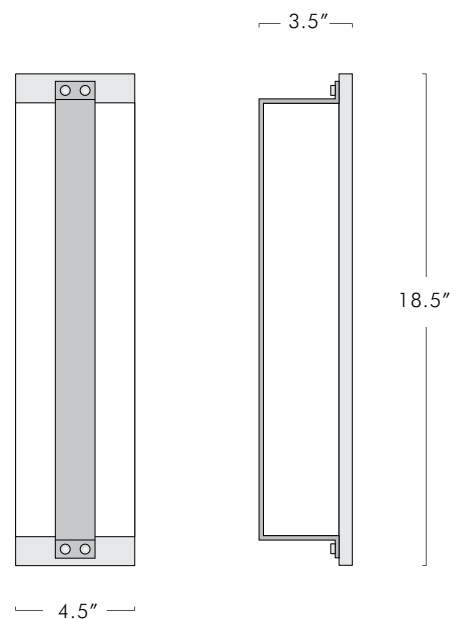
MODEL #	DIMENSIONS	NET WT.
1 7 7 9	4.5 W x 3.5 D x 18.5 H	22 lbs

BACK PLATE / J-BOX

4.5" W x 18.5" H / Top to J-Box center: 9.25"
Additional blocking or anchoring may be required.

ELECTRICAL

1 x E26 40W - 60W Max - LED Available







GLAÇON SHORT SCONCE

DESCRIPTION

The Glaçon Short Sconce is machined from solid brass. All parts are hand polished and patina'd. The lead crystal is hand carved and polished. The brass band secures the crystal to the wall plate.

FINISHES

Shown in Lite Antique Bronze and Oil Rubbed Bronze (standard). Please inquire about our other finishes. Note: All finishes may vary slightly.

SHADE

Lead Crystal.

MODEL

1 7 7 8

DIMENSIONS

4.5 W x 3.5 D x 12 H

NET WT.

18 lbs

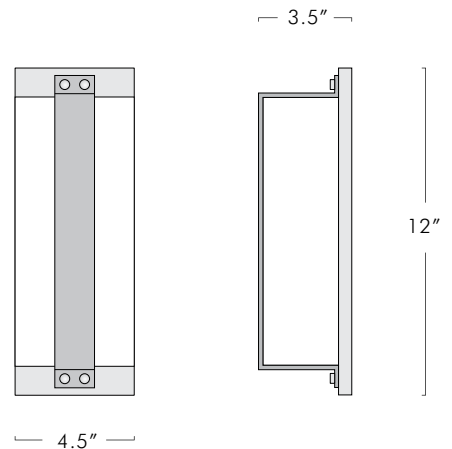
BACK PLATE / J-BOX

4.5" W x 12" H / Top to J-Box center: 6"

Additional blocking or anchoring may be required.

ELECTRICAL

1 x E26 40W - 60W Max - LED Available







All Lighting Design and Design Elements are ©2018 by Jonathan Browning Studios, Inc.

GLAÇON SINGLE LIGHT

DESCRIPTION

The Glaçon Single Light is machined from solid brass. All parts are hand polished and patina'd. The lead crystal is hand carved and surrounds a mirrored bulb. This can be used as a sconce or a ceiling flush mount.

FINISHES

Shown in Oil Rubbed Bronze (standard). Please inquire about our other finishes. Note: All finishes may vary slightly.

SHADE

Lead Crystal.

MODEL

1 8 2 6

DIMENSIONS

5.5 W x 4.15 D x 5.5 H

NET WT.

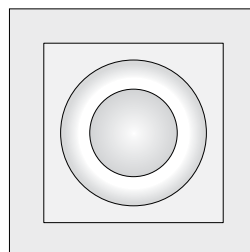
5 lbs

BACK PLATE / J-BOX

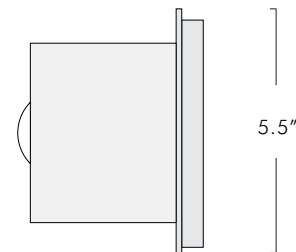
5.5"W x 5.5"H / Top to J-Box center: 2.75"

ELECTRICAL

1 x E12 40W - 60 W Max - LED Available



5.5"



4.15"

5.5"







All Lighting Design and Design Elements are ©2018 by Jonathan Browning Studios, Inc.

GLAÇON 4 LIGHT

DESCRIPTION

The Glaçon 4 Light is machined from solid brass. All parts are hand polished and patina'd. Each lead crystal is hand carved surrounding four mirrored bulbs. This can be mounted on the ceiling or wall.

FINISHES

Shown in Oil Rubbed Bronze (standard). Please inquire about our other finishes. Note: All finishes may vary slightly.

SHADE

Lead Crystal.

MODEL

1 8 2 3

DIMENSIONS

11 W x 4.15 D x 11 H

NET WT.

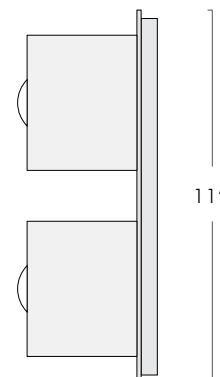
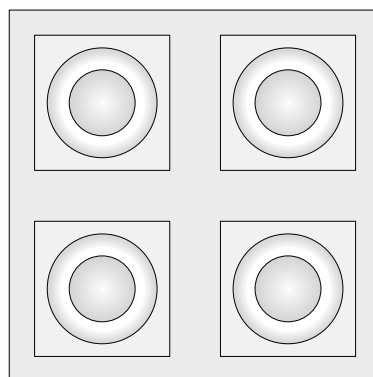
20 lbs

BACK PLATE / J-BOX

11"W x 11"H / Top to J-Box center: 5.5"

ELECTRICAL

4 x E12 40W - 240W Max - LED Available







LECLERC SCONCE

DESCRIPTION

The Leclerc Sconce is machined from solid brass. All parts are hand polished and patina'd.

FINISHES

Shown in Lite Antique exterior and Oil Rubbed Bronze interior (standard). Please inquire about our other finishes.

Note: All finishes may vary slightly.

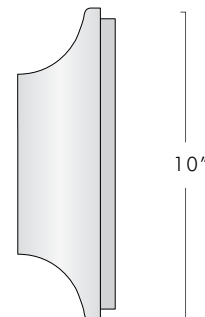
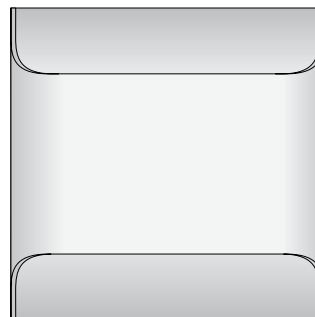
MODEL #	DIMENSIONS	NET WT.
1787	10W x 3.125D x 10H	10 lbs

BACK PLATE / J-BOX

10" W x 10" H - Top to J-Box center: 5"

ELECTRICAL

2 x E26 5.5 W - LED filament bulb only







LE PENTAGONE SCONCE

DESCRIPTION

The Le Pentagone Sconce is machined by hand from solid brass. All parts are hand polished and patina'd. This sconce can be oriented vertically, horizontally or angled.

FINISHES

Shown in Oil Rubbed Bronze (standard). Please inquire about our other finishes. Note: All finishes may vary slightly.

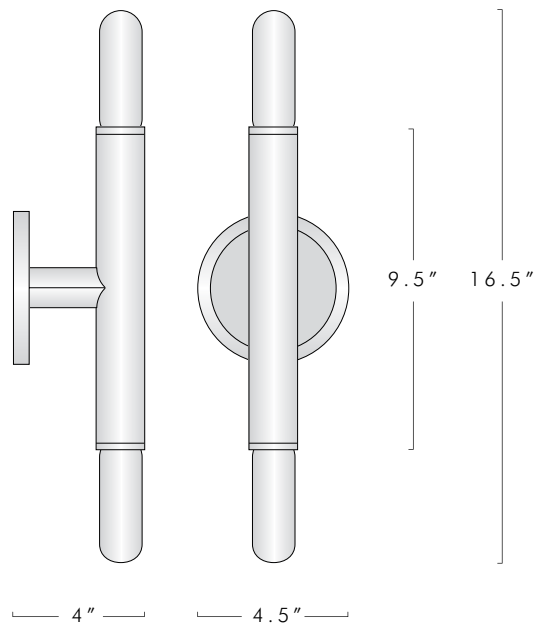
MODEL #	DIMENSIONS	NET WT.
1 6 0 4	4.5 W x 4 D x 16.5 H	5 lbs

BACK PLATE / J-BOX

4.5" Diameter

ELECTRICAL

2 x E26 25w - 120w max - LED Available







MALLET SWING ARM SCONCE

DESCRIPTION

The Mallet Swing Arm Sconce is machined by hand from solid brass. The shade and arm are made from thick-walled brass tubing. All parts are hand polished and patina'd. There are two pivot points to create a wide range of depth adjustments.

FINISHES

Shown in Oil Rubbed Bronze (standard). Please inquire about our other finishes. Note: All finishes may vary slightly.

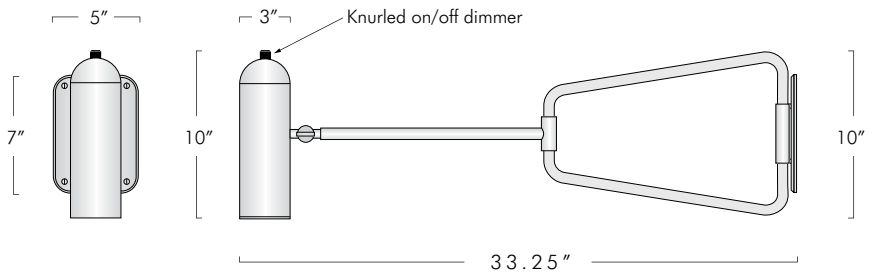
SHADE

Brass with frosted diffuser or lens.

MODEL #	DIMENSIONS	NET WT.
2 2 2 0	5 W x 33.25 D x 10 H	10 lbs

BACK PLATE / J-BOX
5"W x 7"H / Top to J-Box center: 5"

ELECTRICAL
1 x GU10 6W LED Only







All Lighting Design and Design Elements are ©2008 by Jonathan Browning Studios, Inc.

M A R A I S S C O N C E

DESCRIPTION

The Marais Sconce has been machined completely by hand from solid brass. All parts are hand polished and plated. The diffuser is borosilicate glass that is bead blasted.

FINISHES

Shown in Oil Rubbed Bronze (standard). Please inquire about our other finishes. Note: All finishes may vary slightly.

SHADE

Frosted Glass. Also available in Reeded Borosilicate Glass.

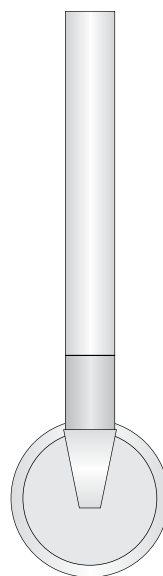
MODEL #	DIMENSIONS	NET WT.
0 8 0 2	4.5 W x 17 H x 4.5 D	3 lbs

BACK PLATE / J-BOX

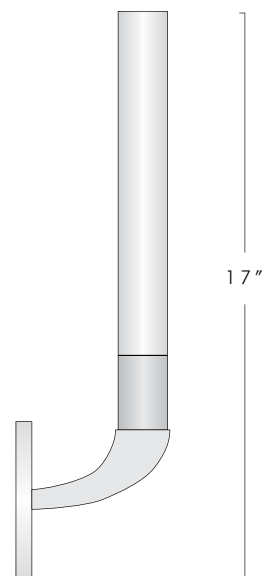
4.5" Diameter / Top to J-Box center: 13.5"

ELECTRICAL

1 x E26 40w - 75w max - LED Available



4.5"



17"

4.5"







MEUDON SCONCE

DESCRIPTION

The Meudon Sconce is machined by hand from solid brass. Its linear body allows for either two T10 bulbs top and bottom, or one long T8 bulb. The half-round brass shield provides an even diffused light.

FINISHES

Shown in Black Bronze (standard). Please inquire about our other finishes. Note: All finishes may vary slightly.

MODEL #	DIMENSIONS	NET WT.
1 4 0 0	3 W x 24 H x 4.5 D	14 lbs

BACK PLATE / J-BOX

Top to J-Box center: 12"

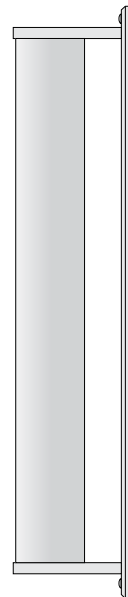
Some additional blocking may be required.

ELECTRICAL

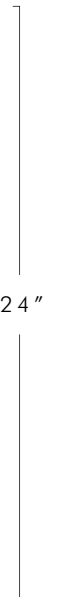
2 x E26 40w - 150w max - LED Available
(2" x 3" junction box required)



3"



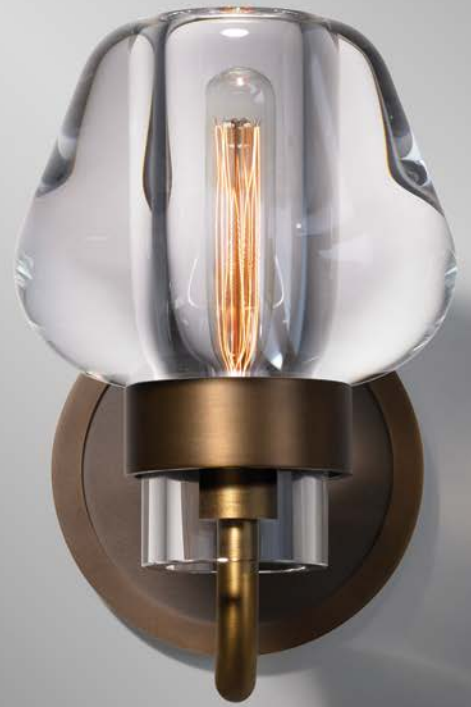
4.5"



24"







All Lighting Design and Design Elements are ©2016 by Jonathan Browning Studios, Inc.

MONTALEMBERT SCNCE

DESCRIPTION

The Montalembert sconce is machined by hand from solid brass. All parts are hand polished and patina'd. The lead crystal shade is hand carved and polished.

FINISHES

Shown in Oil Rubbed and Lite Antique Bronze (standard). Please inquire about our other finishes. Note: All finishes may vary slightly.

SHADE

Lead Crystal.

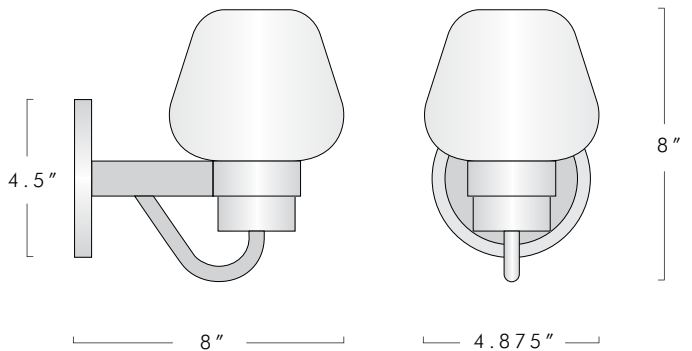
MODEL #	DIMENSIONS	NET WT.
1 6 0 1	4.875 W x 8 D x 8 H	8 lbs

BACK PLATE / J-BOX

4.5" Diameter / Top to J-Box center: 4.875"

ELECTRICAL

1 x E12 25w - 60w max - LED Available







All Lighting Design and Design Elements are ©2015 by Jonathan Browning Studios, Inc.

MONTFAUCON SINGLE SCONCE

DESCRIPTION

The Montfaucou Single Sconce is made of solid brass. The hand made shade is made of unglazed white porcelain. All metal parts are hand polished and patina'd.

FINISHES

Shown in Oil Rubbed Bronze (standard). Please inquire about our other finishes. Note: All finishes may vary slightly.

SHADE

Unglazed Porcelain. Due to the hand-made nature of these porcelain shades, the thickness, height and texture will vary slightly.

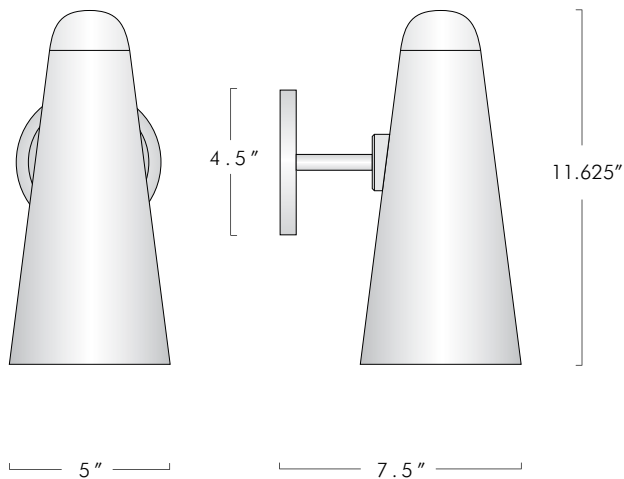
MODEL #	DIMENSIONS	NET WT.
1 5 0 3	5 W x 11 H x 7 D	5 lbs

BACK PLATE / J-BOX

4.5" Diameter / Top to J-Box center: 4.75"

ELECTRICAL

1x 8w LED Bulb - (75w incandescent equivalent)
Warm White, Dimmable







All Lighting Design and Design Elements are ©2019 by Jonathan Browning Studios, Inc.

PASTIS SCONCE

DESCRIPTION

The Pastis Sconce is machined from solid brass. All parts are hand polished and patina'd. The reeded borosilicate glass shade is notched to delicately rest on the brass arm.

FINISHES

Shown in Oil Rubbed Bronze (standard). Please inquire about our other finishes. Note: All finishes may vary slightly.

SHADE

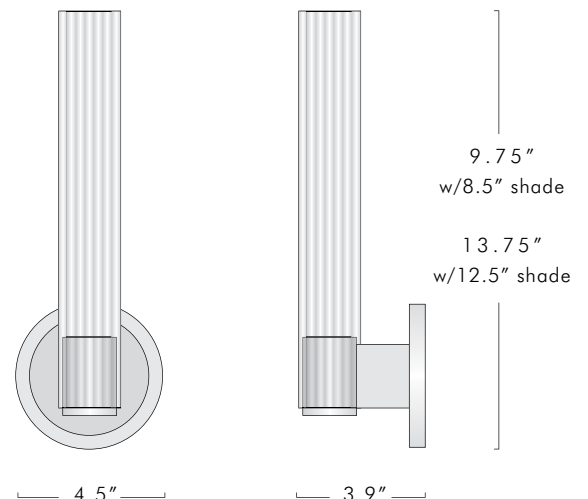
Reeded Borosilicate Glass. Two available sizes: 8.5" and 12.5" (shown in photos and line drawings).

MODEL #	DIMENSIONS	NET WT.
2 1 2 3	4.5 W x 3.9 D x 13.75 H	4 lbs

BACK PLATE / J-BOX
4.5" Diameter

ELECTRICAL

1 x E26 60W T10 (8.5" glass version) - LED Available
1 x E26 75W T8 (12.5" glass version) - LED Available







PASTIS DOUBLE SCONCE

DESCRIPTION

The Pastis Double Sconce is machined from solid brass. All parts are hand polished and patina'd. The reeded borosilicate glass shades are notched to delicately rest on each brass arm.

FINISHES

Shown in Oil Rubbed Bronze (standard). Please inquire about our other finishes. Note: All finishes may vary slightly.

SHADE

Reeded Borosilicate Glass.

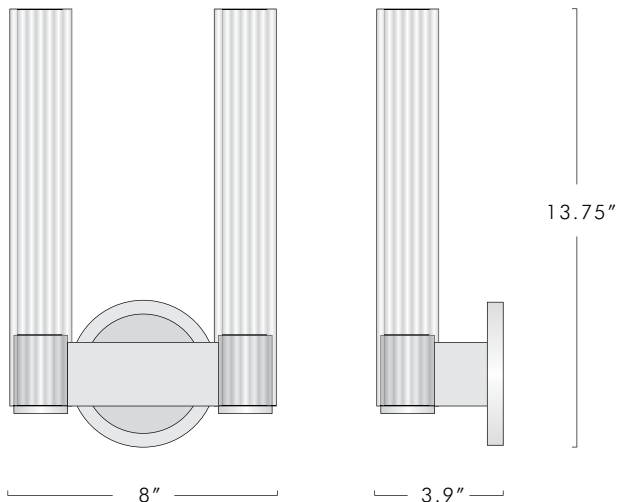
MODEL #	DIMENSIONS	NET WT.
2 2 0 5	8" W x 3.9" D x 13.75" H	5 lbs

BACK PLATE / J-BOX

4.5" Diameter / Top to J-Box center: 11.5"

ELECTRICAL

2 x E26 40W - 120W Max - LED Available







PLATIERE SCONCE

DESCRIPTION

The Platiere Sconce is machined from solid brass. All parts are polished and patina'd. The shades are handmade of white frosted soda-lime glass.

FINISHES

Shown in Oil Rubbed Bronze (standard). Please inquire about our other finishes. Note: All finishes may vary slightly.

SHADE

White frosted soda-lime glass.

MODEL

1 7 1 9

DIMENSIONS

4.5 W x 5.75 D x 16.5 H

NET WT.

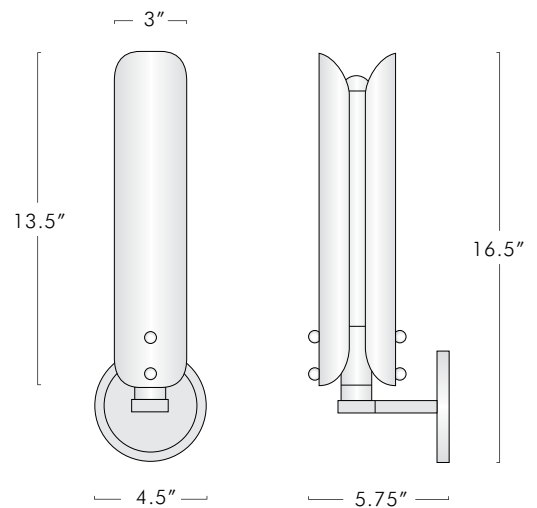
4 lbs

BACK PLATE / J-BOX

4.5" Diameter / Top to J-Box center: 14.25"

ELECTRICAL

1 x E26 40W - 75W Max - LED Available







PLATIERE DOUBLE SCONCE

DESCRIPTION

The Platiere Double Sconce is machined from solid brass. All parts are polished and patina'd. The shades are handmade of white frosted soda-lime glass.

FINISHES

Shown in Oil Rubbed Bronze (standard). Please inquire about our other finishes. Note: All finishes may vary slightly.

SHADE

White frosted soda-lime glass.

MODEL

1 7 2 0

DIMENSIONS

10.5 W x 5.75 D x 16.5 H

NET WT.

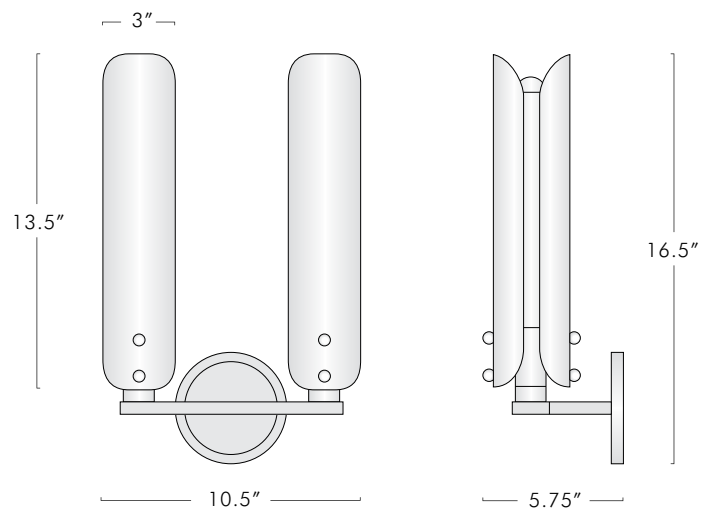
5 lbs

BACK PLATE / J-BOX

4.5" Diameter / Top to J-Box Center: 14.25"

ELECTRICAL

2 x E26 40W - 150W Max - LED Available







PLATIERE VANITY SCONCE

DESCRIPTION

The Platiere Vanity Sconce is machined from solid brass. All parts are polished and patina'd. The shades are handmade of white frosted soda-lime glass. This can be mounted horizontally or vertically.

FINISHES

Shown in Oil Rubbed Bronze (standard). Please inquire about our other finishes. Note: All finishes may vary slightly.

SHADE

White frosted soda-lime glass.

MODEL

1 8 1 9

DIMENSIONS

28.5 W x 5.75 D x 4.5 H

NET WT.

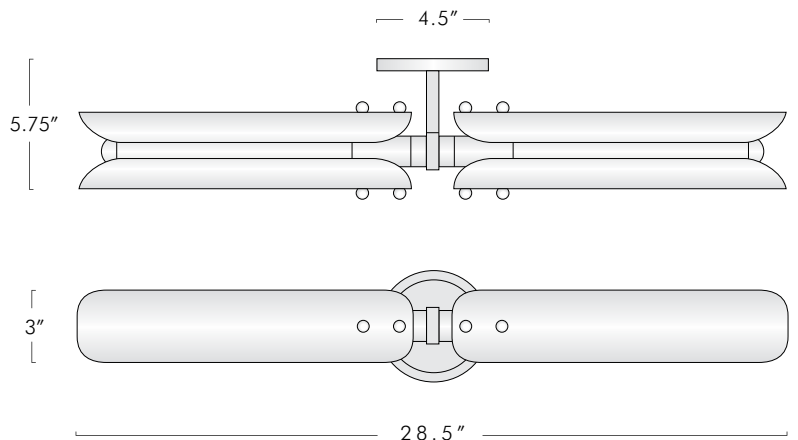
6 lbs

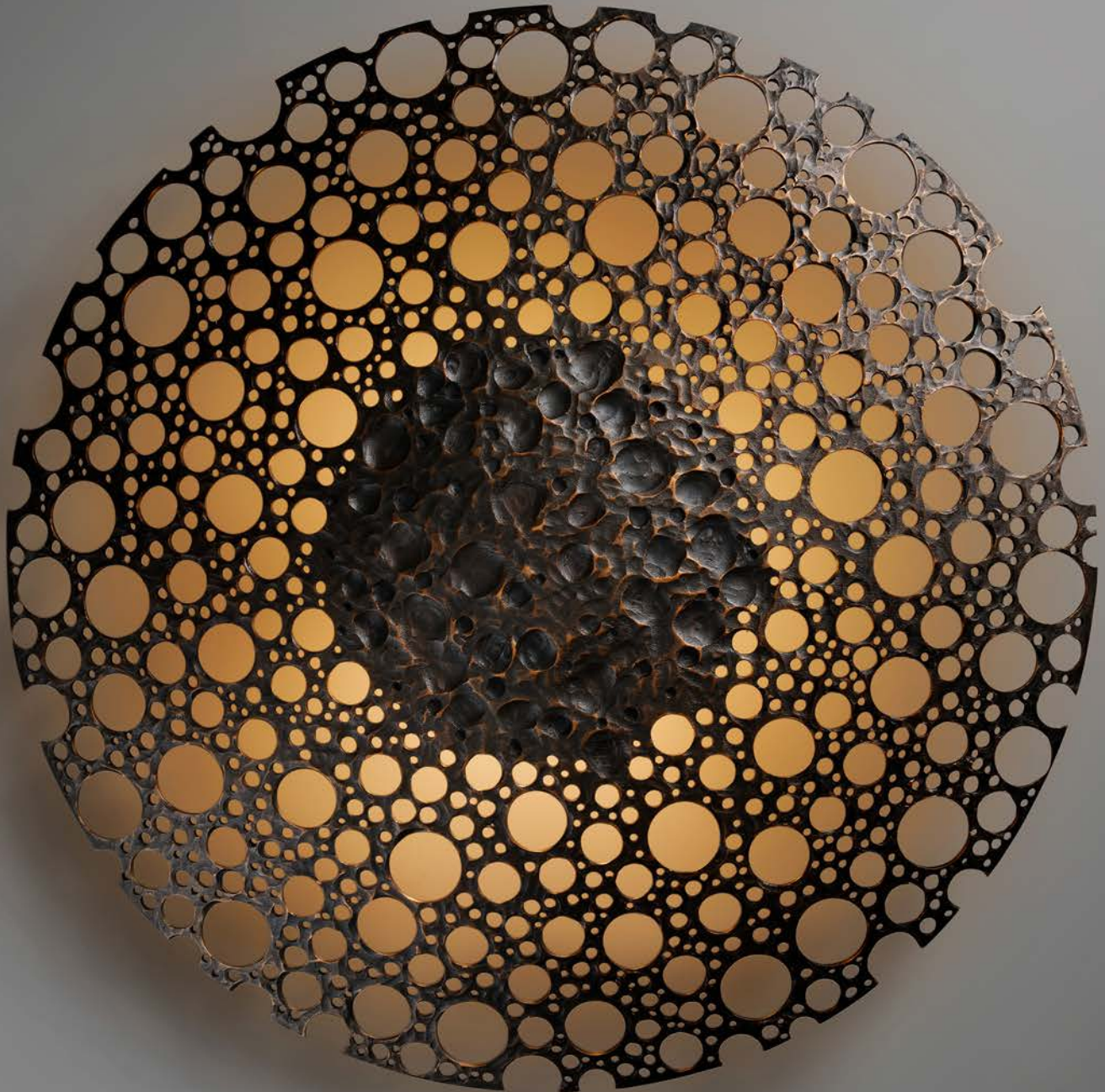
BACK PLATE / J-BOX

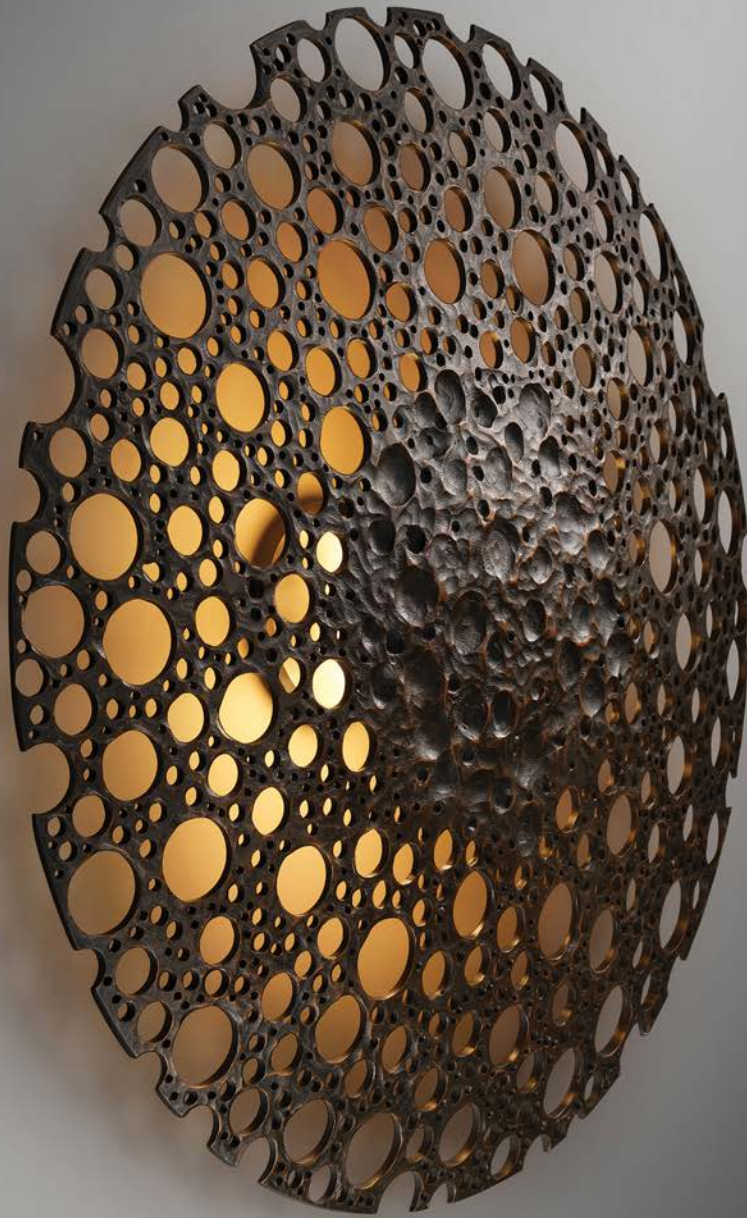
4.5" Diameter / Top to J-Box center: 2.25"

ELECTRICAL

2 x E26 40w - 150w max - LED Available







SHIELD SCONCE

DESCRIPTION

The Shield Sconce casting is made of solid brass. Its body has been cast from a master carving using the investment cast process. The back plate and stem have been machined by hand. All parts are hand polished and plated. The diffuser is borosilicate glass that is bead blasted.

FINISHES

Shown in Oil Rubbed Bronze with Black Bronze wall plate. Also available in Light Antique Bronze, Matte Nickel and Black Bronze. Note: All finishes may vary slightly.

SHADE

Textured Brass

MODEL

2304

DIMENSIONS

24 DIA x 4.5 D

NET WT.

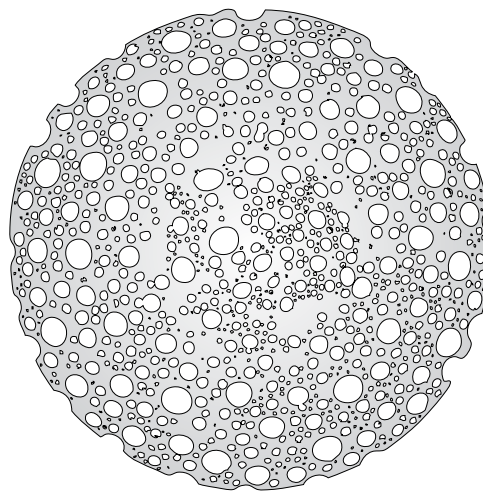
18 lbs

BACK PLATE / J-BOX

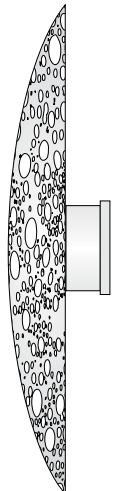
4.5" Diameter - Centers on J-Box

ELECTRICAL

4 x G9 3.5W LED bulb only



24" Diameter



4.5"

DIMMABLE
2700K





All Lighting Design and Design Elements are ©2016 by Jonathan Browning Studios, Inc.

VALDAMPIERRE SCONCE

DESCRIPTION

The Valdampierre Sconce is machined from solid brass. All parts are hand polished and patina'd. The lead crystal shade is carved and polished by hand.

FINISHES

Shown in Oil Rubbed Bronze (standard). Please inquire about our other finishes. Note: All finishes may vary slightly.

SHADE

Lead Crystal.

MODEL

1 6 7 4

DIMENSIONS

19.25 H x 4.5 W x 7 D

NET WT.

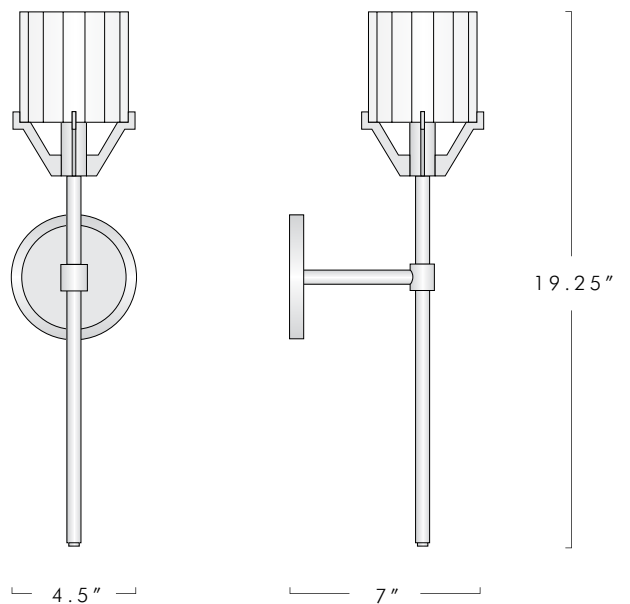
7 lbs

BACK PLATE / J-BOX

4.5" Diameter / Top to J-Box center: 9.625"

ELECTRICAL

1 x E12 25w - 60w max - LED Available







All Lighting Design and Design Elements are ©2022 by Jonathan Browning Studios, Inc.

VALETTE SCONCE

DESCRIPTION

The Valette Sconce is machined by hand from solid brass. The shade is hand-blown and precision-cut to acquire the unique shape. All parts are hand polished and patina'd.

FINISHES

Shown in Oil Rubbed Bronze (standard). Please inquire about our other finishes. Note: All finishes may vary slightly.

SHADE

Clear Glass.

MODEL

2 2 2 3

DIMENSIONS

4.5 W x 8 D x 8.5 H

NET WT.

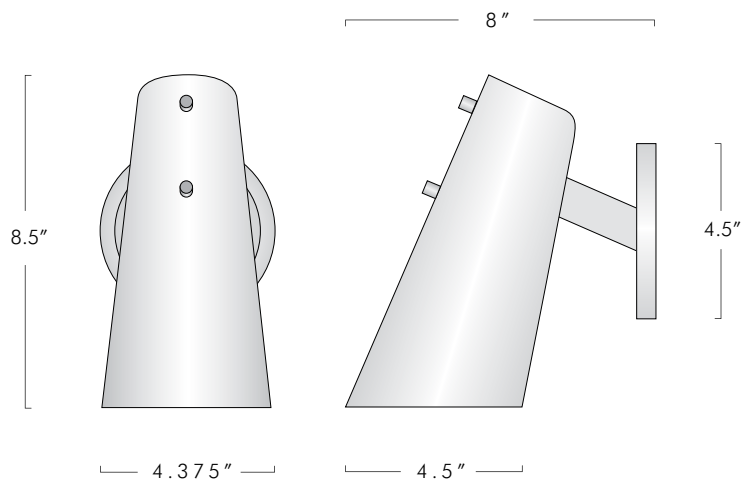
4.5 lbs

BACK PLATE / J-BOX

4.5" Diameter / Top to J-Box center: 4"

ELECTRICAL

1 x E12 4W LED bulb







VENTOUX SCONCE

DESCRIPTION

This reinterpretation of our original Ventoux Sconce is machined from solid brass. All parts are hand polished and patina'd. The metal shade is turned by hand on a lathe. The borosilicate glass shade is fire polished.

FINISHES

Shown in Oil Rubbed Bronze (standard). Please inquire about our other finishes. Note: All finishes may vary slightly.

SHADE

Shown with a frosted borosilicate shade. Also available with a clear borosilicate shade and a frosted diffuser.

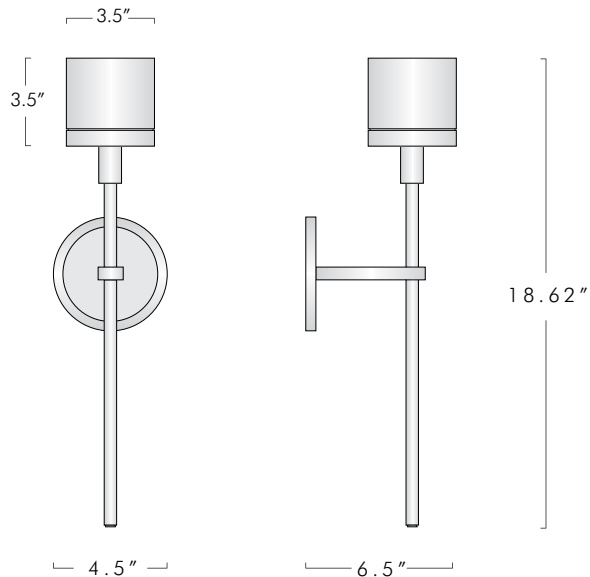
MODEL #	DIMENSIONS	NET WT.
1 8 3 6	4.5 W x 18.62 H x 6.5 D	5 lbs

BACK PLATE / J-BOX

4.5" Diameter / Top to J-Box center: 8"

ELECTRICAL

1 x E12 40W - 60W max - LED available







VENTOUX DOUBLE ARM SCONCE

DESCRIPTION

This reinterpretation of our original Ventoux Double Arm Sconce is machined from solid brass. All parts are hand polished and patina'd. The metal shades are turned by hand on a lathe. The borosilicate glass shades are fire polished.

FINISHES

Shown in Oil Rubbed Bronze (standard). Please inquire about our other finishes. Note: All finishes may vary slightly.

SHADE

Brass. Also available in Clear Glass with Diffuser or Frosted Glass.

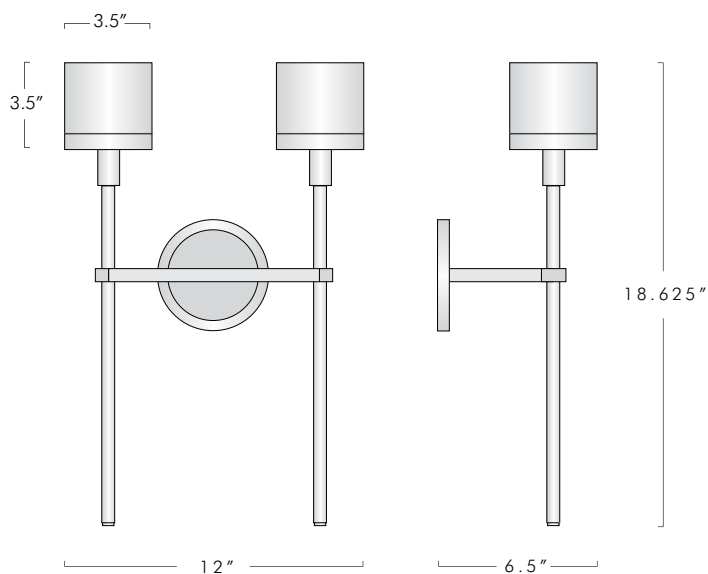
MODEL #	DIMENSIONS	NET WT.
0 5 1 4	12 W x 18.625 H x 6.5 D	8 lbs

BACK PLATE / J-BOX

4.5" Diameter / Top to J-Box center: 8.5"

ELECTRICAL

2 x E12 40W - 120W Max - LED Available







All Lighting Design and Design Elements are ©2007 by Jonathan Browning Studios, Inc.

VINCENNES SCONCE

DESCRIPTION

The Vincennes Sconce is machined by hand from solid brass. All parts are hand polished and plated. The brass shade is individually turned on a lathe.

FINISHES

Shown in Oil Rubbed Bronze (standard). Please inquire about our other finishes. Note: All finishes may vary slightly.

SHADE

Brass. Please inquire about our other shade options.

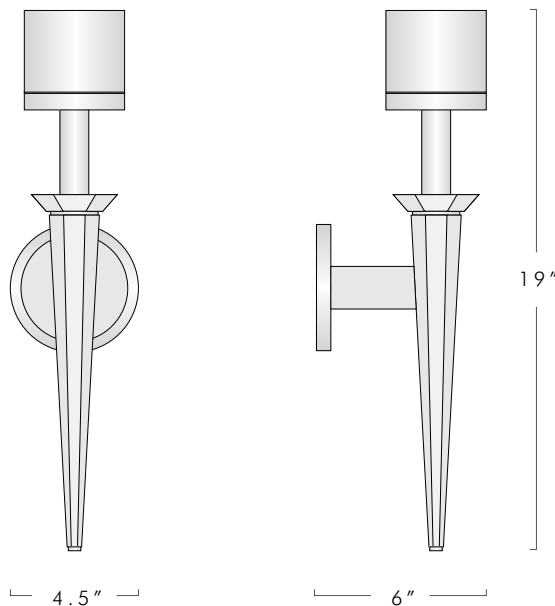
MODEL #	DIMENSIONS	NET WT.
0704	4.5 W x 19 H x 6 D	7 lbs

BACK PLATE / J-BOX

4.5" Diameter / Top to J-Box center: 9.5"

ELECTRICAL

1 x E12 40w - 60w max - LED available







VOLTAIRE SCONCE

DESCRIPTION

The Voltaire Sconce is made from heavy-walled brass tubing. All parts are hand polished and patina'd. The handmade shades are crafted from unglazed white porcelain, which emits a warm glow when lit from within.

FINISHES

Shown in Oil Rubbed Bronze (standard). Please inquire about our other finishes. Note: All finishes may vary slightly.

SHADE

Unglazed Porcelain

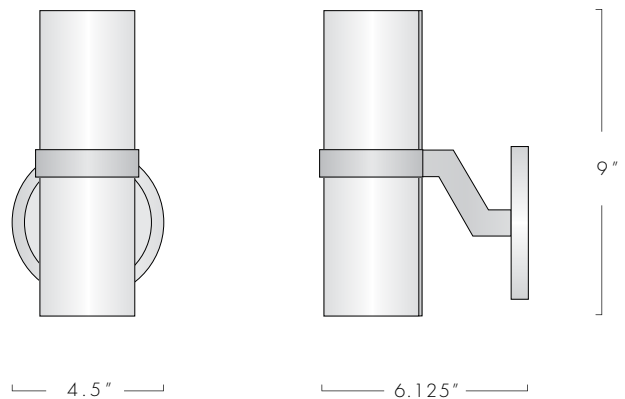
MODEL #	DIMENSIONS	NET WT.
2 4 0 1	4.5W x 6.13D x 9H	4.5 lbs

BACK PLATE / J-BOX

4.5" Diam. / Top to J-Box center: 6.25"

ELECTRICAL

2 x E12 T6 6W LED bulb only







All Lighting Design and Design Elements are ©2024 by Jonathan Browning Studios, Inc.

VOLTAIRE DOUBLE SCONCE

DESCRIPTION

The Voltaire Double Sconce is made from heavy-walled brass tubing. All parts are hand polished and patina'd. The handmade shades are crafted from unglazed white porcelain, which emits a warm glow when lit from within.

FINISHES

Shown in Oil Rubbed Bronze (standard). Please inquire about our other finishes. Note: All finishes may vary slightly.

SHADE

Unglazed Porcelain

MODEL

2 4 0 3

DIMENSIONS

9W x 6D x 9H

NET WT.

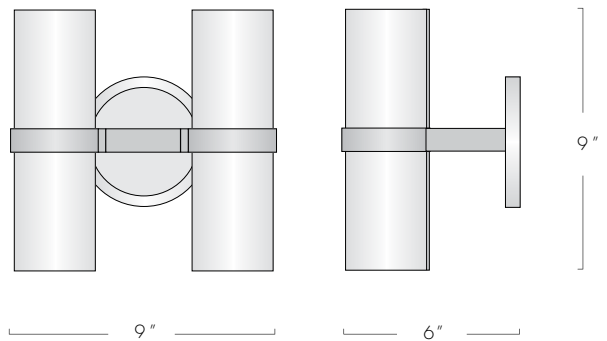
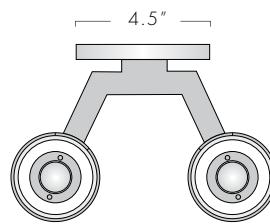
6.5 lbs

BACK PLATE / J-BOX

4.5" Diam. / Top to J-Box center: 4.5"

ELECTRICAL

4 x E12 T6 6W LED bulb only







All Lighting Design and Design Elements are ©2024 by Jonathan Browning Studios, Inc.

VOLTAIRE TALL SCONCE

DESCRIPTION

The Voltaire Tall Sconce is made from heavy-walled brass tubing. All parts are hand polished and patina'd. The handmade shades are crafted from unglazed white porcelain, which emits a warm glow when lit from within.

FINISHES

Shown in Oil Rubbed Bronze (standard). Please inquire about our other finishes. Note: All finishes may vary slightly.

SHADE

Unglazed Porcelain

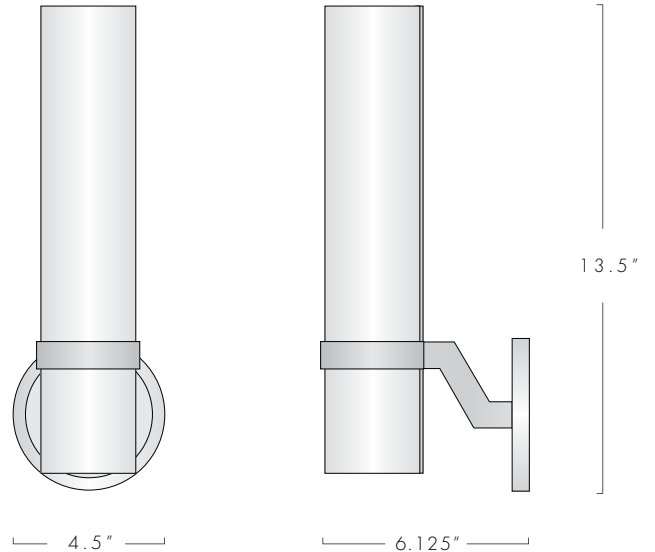
MODEL #	DIMENSIONS	NET WT.
2 4 0 2	4.5W x 6.125D x 13.5H	4 lbs

BACK PLATE / J-BOX

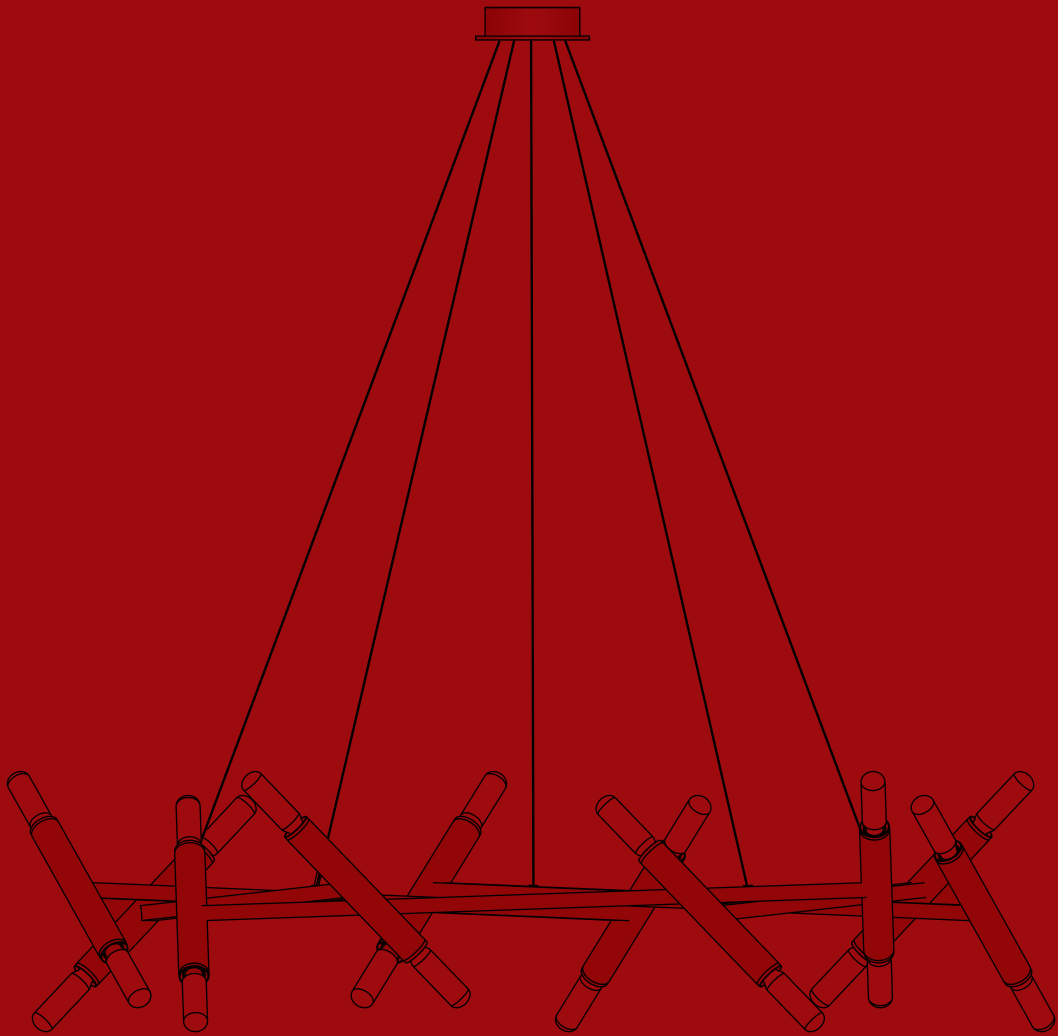
4.5" Diam. / Top to J-Box center: 11.25"

ELECTRICAL

1 x E26 T9 Long 6W Bulb



CEILING FIXTURES







All Lighting Design and Design Elements are ©2015 by Jonathan Browning Studios, Inc.

ALOUETTE CHANDELIER

DESCRIPTION

The Alouette Chandelier is machined by hand from solid brass. The shades are reeded borosilicate glass. All parts are hand polished and patina'd or plated.

FINISHES

Shown in Lite Antique Bronze and Oil Rubbed Bronze (standard). Please inquire about our other finishes. Note: All finishes may vary slightly.

SHADE

8.5" Reeded borosilicate glass.

MODEL #	DIMENSIONS	NET WT.
1 5 6 1	60 W x 11 D x 60 OAH*	55 lbs

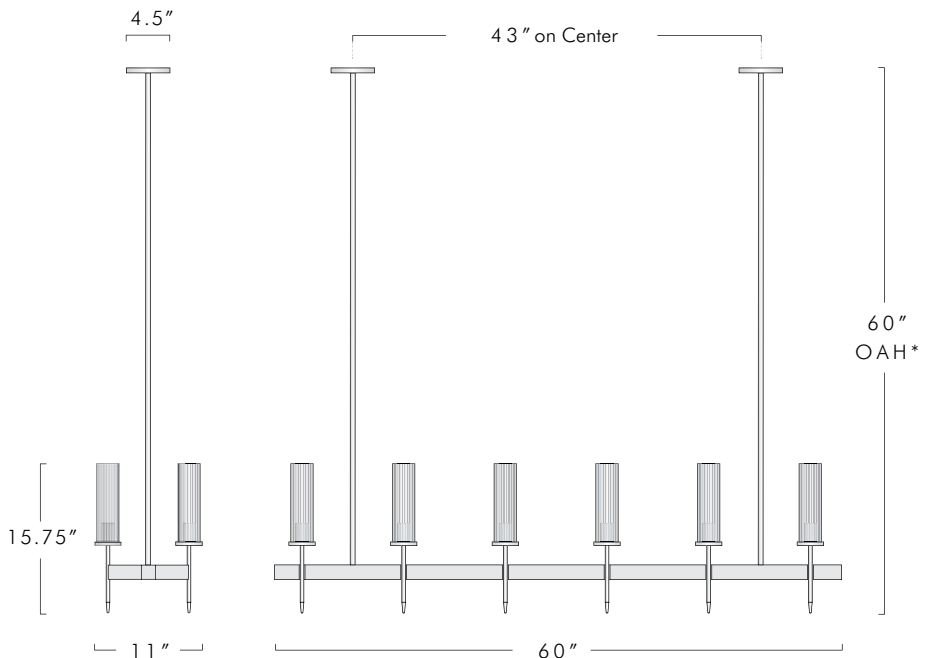
CEILING PLATE / J-BOX

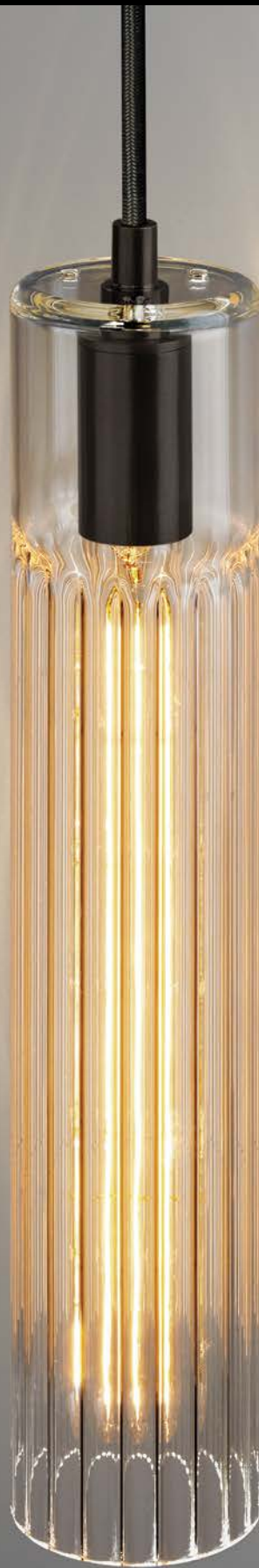
Two 4.5" Circular Ceiling Mounts - 43" on Center
Some additional blocking may be required.

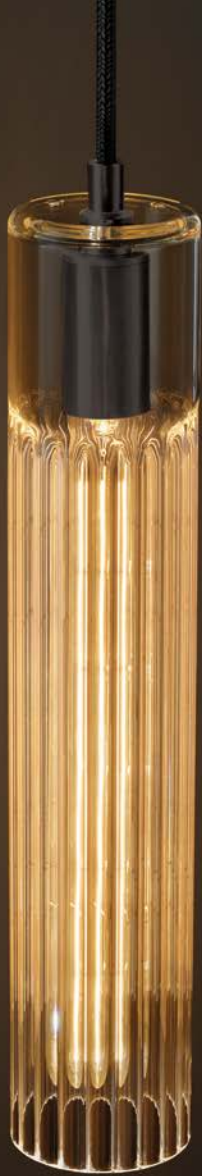
ELECTRICAL

12 x E26 40w - 480w max - LED available

*Custom drop lengths can be specified.







ALOUETTE PENDANT

DESCRIPTION

The Alouette Pendant is machined from solid brass. All parts are hand polished and patina'd. It's borosilicate glass shade is fire polished by hand.

FINISHES

Shown in Oil Rubbed Bronze (standard). Please inquire about our other finishes. Note: All finishes may vary slightly.

SHADE

Reeded borosilicate glass.

MODEL #	DIMENSIONS	NET WT.
1755	2.4 W x 14.5 H x 60 OAH	3 lbs

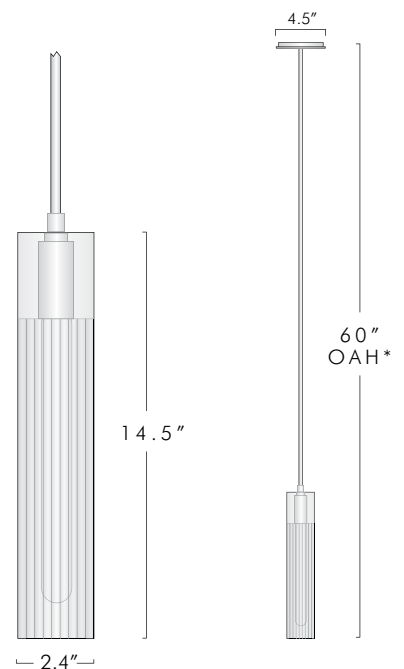
CEILING PLATE

4.5" Diameter

ELECTRICAL

1 x E26 3.5w T8 LED

*Custom drop lengths can be specified.







APOLLINAIRE CIRCULAR CHANDELIER

DESCRIPTION

The Apollinaire Circular Chandelier is made up of ten lead crystal pendants which are turned by hand on a lathe. The top plate and socket are also made by hand.

FINISHES

Black Bronze canopy with Oil Rubbed Bronze socket covers (standard). Please note: All finishes may vary slightly.

SHADES

Lead Crystal.

MODEL

1 6 6 3

DIMENSIONS

18 DIA x 72 OAH*

NET WT.

60 lbs

CEILING PLATE / J-BOX

18" Diameter - J-Box on center

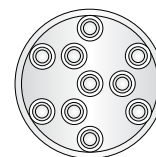
Some additional blocking may be required.

ELECTRICAL

10 x E12 5w LED Bulb Only - (40w incandescent equivalent)

Total 50w - (400w equivalent), Warm White, Dimmable

*Custom drop lengths can be specified.



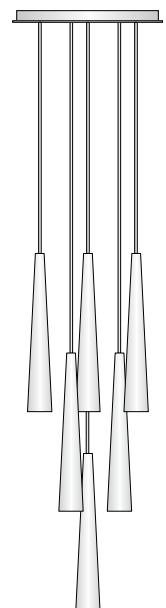
18"

(10 lights)



18"

2.75"



72"
OAH*







All Lighting Design and Design Elements are ©2016 by Jonathan Browning Studios, Inc.

A POLLINAIRE LINEAR CHANDELIER

DESCRIPTION

The Apollinaire Linear Chandelier is machined by hand from solid brass. It is also hand polished and patina'd. The lead crystal shades are turned and polished by hand.

FINISHES

Shown in Oil Rubbed and Lite Antique Bronze (standard). Please inquire about our other finishes. Note: All finishes may vary slightly.

SHADE

Lead Crystal.

MODEL

1 6 5 1

DIMENSIONS

60 W x 11.5 D x 72 OAH*

NET WT.

90 lbs

CEILING PLATE / J-BOX

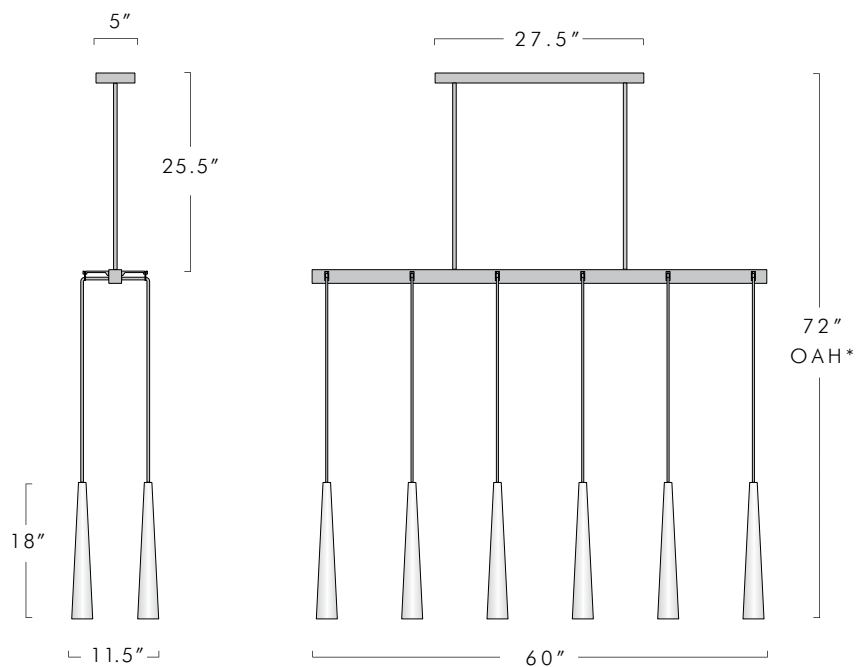
27.5 L x 5 W - J-Box on center

Some additional blocking may be required.

ELECTRICAL

12 x 4w LED Bulb Only - Total 48w

*Custom drop lengths can be specified.







A POLLINAIRE PENDANT

DESCRIPTION

The Apollinaire Pendant is machined from solid brass. All parts are hand polished and patina'd. The lead crystal shade is turned and polished by hand.

FINISHES

Shown in Oil Rubbed Bronze (standard). Please inquire about our other finishes. Note: All finishes may vary slightly.

SHADE

Lead Crystal.

MODEL

1 6 6 5

DIMENSIONS

2.75 Diam x 18 H x 60 OAH*

NET WT.

5 lbs

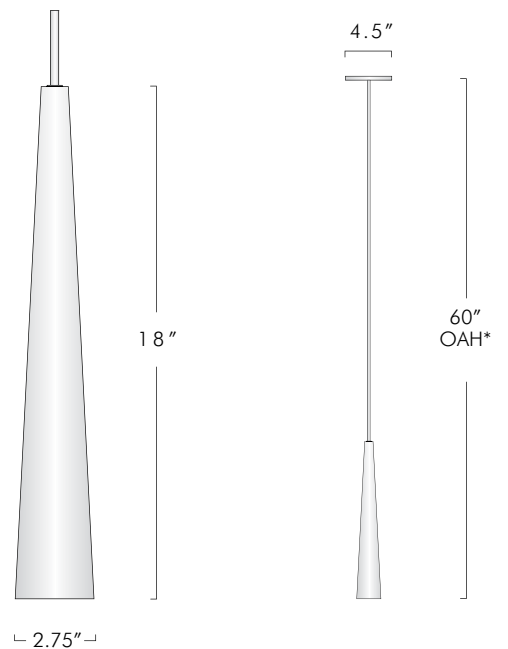
CEILING PLATE

4.5" Diameter

ELECTRICAL

1 x 5w LED Bulb Only - (40w incandescent equivalent)
Warm White, Dimmable

*Custom drop lengths can be specified.







APOLLINAIRE 2 LIGHT PENDANT

DESCRIPTION

The Apollinaire 2 Light Pendant is machined by hand from solid brass. All parts are hand polished and patina'd. The shades are lead crystal which are turned by hand on a lathe.

FINISHES

Shown in Lite Antique Bronze with Oil Rubbed Bronze Detail (standard). Please inquire about our other finishes. Note: All finishes may vary slightly.

SHADE

Lead Crystal.

MODEL

1 7 5 3

DIMENSIONS

11.25 W x 4.5 D x 60 OAH*

NET WT.

9 lbs

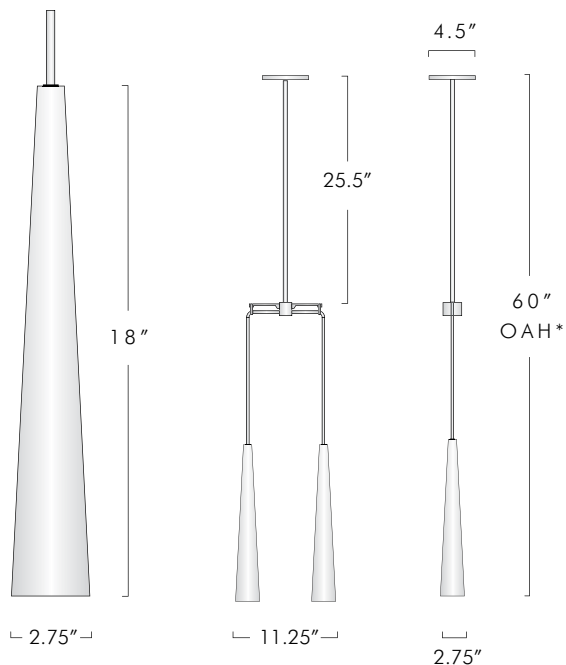
CEILING PLATE

4.5" Diameter

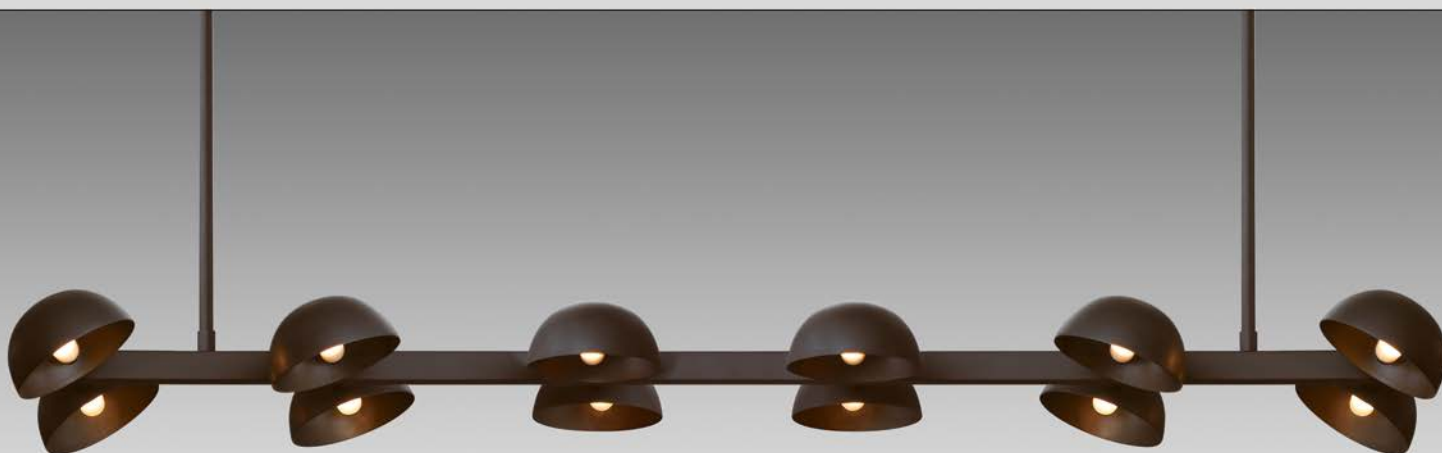
ELECTRICAL

2 x E12 5w - LED Bulb only - (40w incandescent equivalent, Warm White).

*Custom drop lengths can be specified.







AVION CHANDELIER

DESCRIPTION

The Avion chandelier is machined by hand from solid brass. The round shades are turned by hand, and rotate 360 degrees. The entire fixture is hand polished and patina'd.

FINISHES

Shown in Oil Rubbed Bronze (standard). Please inquire about our other finishes. Note: All finishes may vary slightly.

SHADE

Brass. Hand turned.

MODEL #	DIMENSIONS	NET WT.
1 5 5 2	55 W x 13 D x 60 OAH*	24 lbs

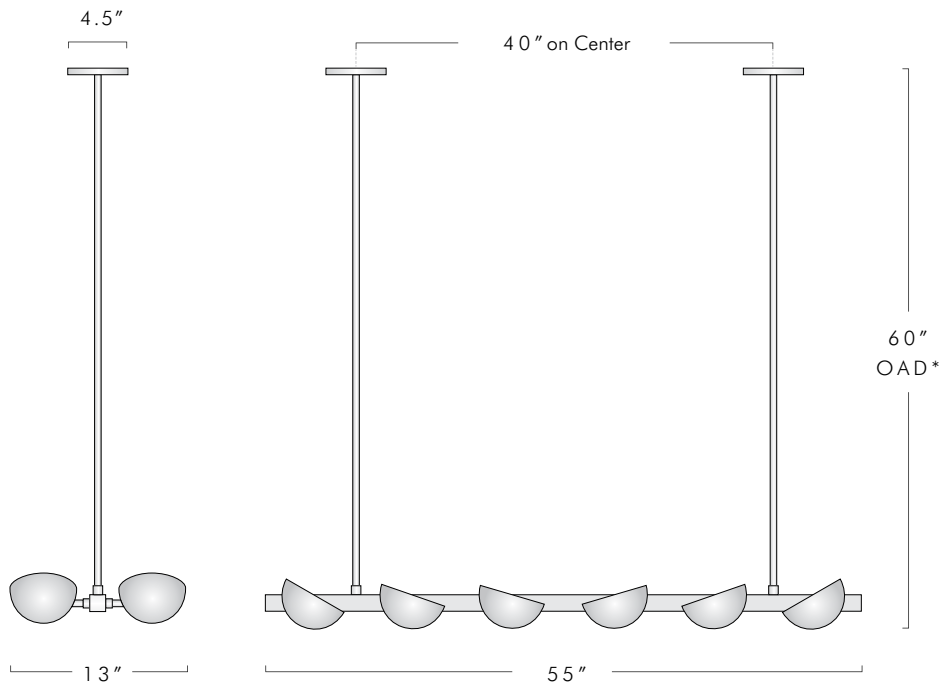
CEILING PLATES / J-BOX

4.5" Diameter / J-Box center to center: 40"
Some additional blocking may be required.

ELECTRICAL

12 x G9 20w - 480w max - LED Available

*Custom drop lengths can be specified.







All Lighting Design and Design Elements are ©2015 by Jonathan Browning Studios, Inc.

**AVION CIRCULAR CHANDELIER
12 LIGHT**

DESCRIPTION

The 12 Light Avion Circular Chandelier is turned by hand from solid brass. All parts are hand polished and patina'd.

FINISHES

Shown in Oil Rubbed Bronze (standard). Please inquire about our other finishes. Note: All finishes may vary slightly.

SHADE

Brass, Hand Turned

MODEL #	DIMENSIONS	NET WT.
1 5 6 4	48 Diameter x 60 OAH*	30 lbs

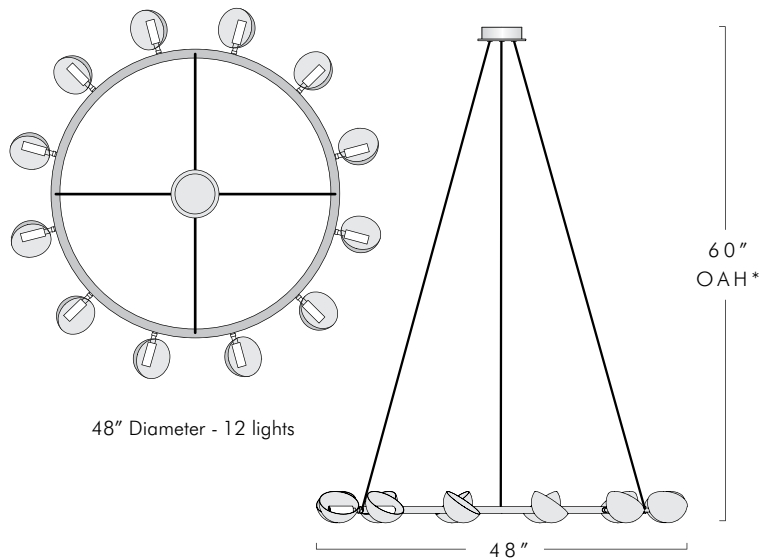
CEILING PLATE

6" Diameter

ELECTRICAL

12 x G9 3.5W - 42W total - LED Bulb only

*Custom drop lengths can be specified.







BECQUEREL PENDANT

DESCRIPTION

The Becquerel Pendant is machined by hand from solid brass. All parts are hand polished and patina'd. Both inner and outer shades are made from ivory silk.

FINISHES

Shown in Oil Rubbed Bronze (standard). Please inquire about our other finishes. Note: All finishes may vary slightly.

SHADE

Outer black silk and inner ivory silk shades.

MODEL

2 2 1 5

DIMENSIONS

24 DIA x 60 OAH*

NET WT.

8.5 lbs

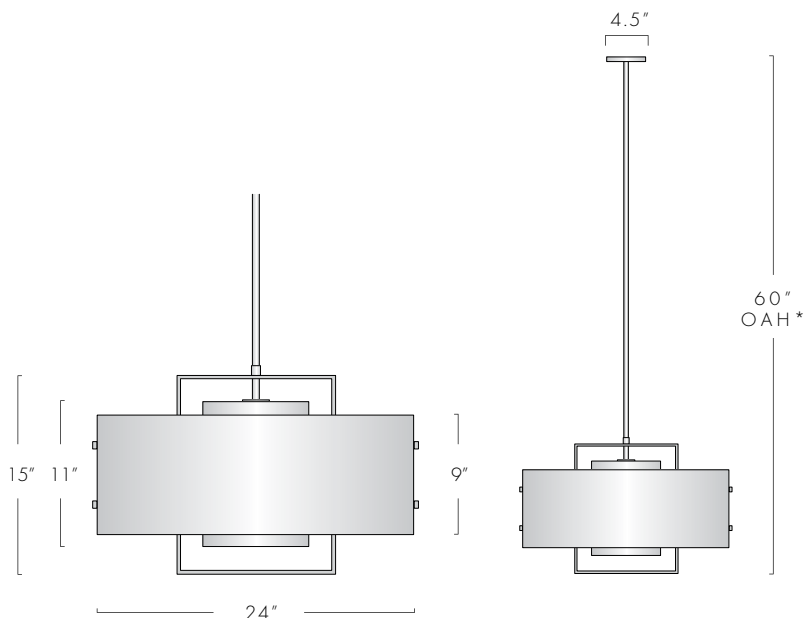
CEILING PLATE / J-BOX

4.5" Diameter

ELECTRICAL

1 x E26 6W LED Bulb Only

*Custom drop lengths can be specified.







BOUILLANT CLOCHE PENDANT

DESCRIPTION

The Bouillant Cloche Pendant is machined by hand from solid brass. All parts are hand polished and patina'd. The Cloche blown glass is secured by machined brass parts.

FINISHES

Shown in Oil Rubbed Bronze (standard). Please inquire about our other finishes. Note: All finishes may vary slightly.

SHADE

Blown Glass - Cloche.

MODEL #	DIMENSIONS	NET WT.
2 1 4 1	16 DIA x 60 OAH*	22.5 lbs

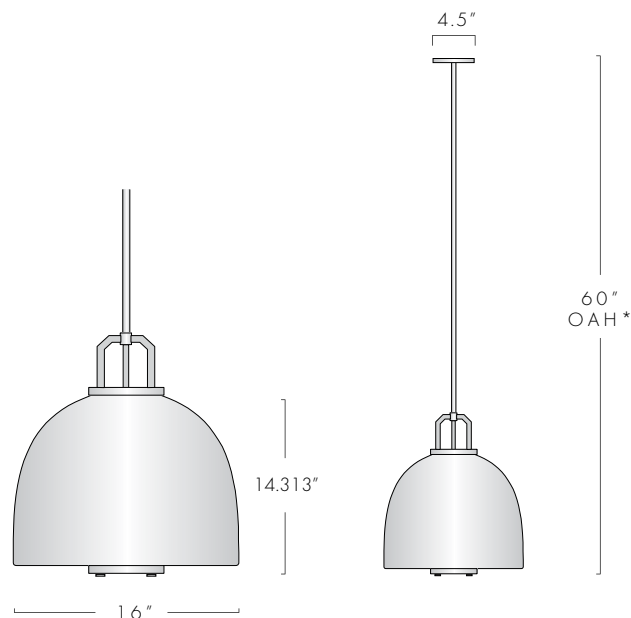
CEILING PLATE / J-BOX

4.5" Diameter

ELECTRICAL

1 x E26 3.5W LED Bulb Only

*Custom drop lengths can be specified.







BOUILLANT CYLINDER PENDANT

DESCRIPTION

The Bouillant Cylinder Pendant is machined by hand from solid brass. All parts are hand polished and patina'd. The Cylinder is borosilicate glass secured by machined brass parts.

FINISHES

Shown in Oil Rubbed Bronze (standard). Please inquire about our other finishes. Note: All finishes may vary slightly.

SHADE

Borosilicate Glass - Cylinder.

MODEL

2 3 0 5

DIMENSIONS

5.25 DIA x 60 OAH*

NET WT.

12 lbs

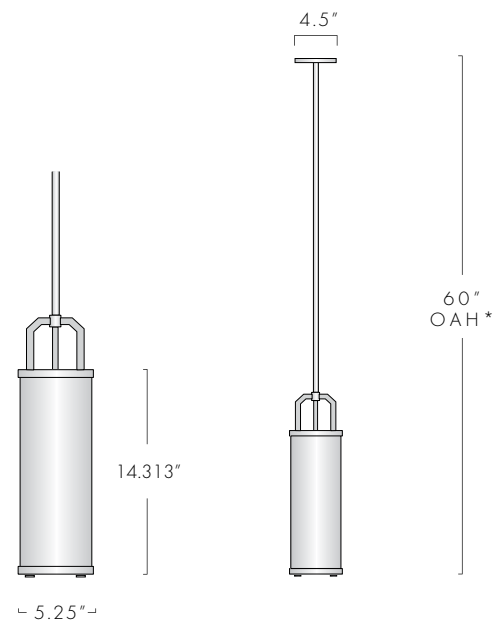
CEILING PLATE / J-BOX

4.5" Diameter

ELECTRICAL

1 x E26 3.5W LED Bulb Only

*Custom drop lengths can be specified.







All Lighting Design and Design Elements are ©2022 by Jonathan Browning Studios, Inc.

BOUILLANT FUNNEL PENDANT

DESCRIPTION

The Bouillant Funnel Pendant is machined by hand from solid brass. All parts are hand polished and patina'd. The Funnel blown glass is secured by machined brass parts.

FINISHES

Shown in Oil Rubbed Bronze (standard). Please inquire about our other finishes. Note: All finishes may vary slightly.

SHADE

Blown Glass - Funnel.

MODEL

2 3 0 6

DIMENSIONS

13.75 DIA x 60 OAH*

NET WT.

18 lbs

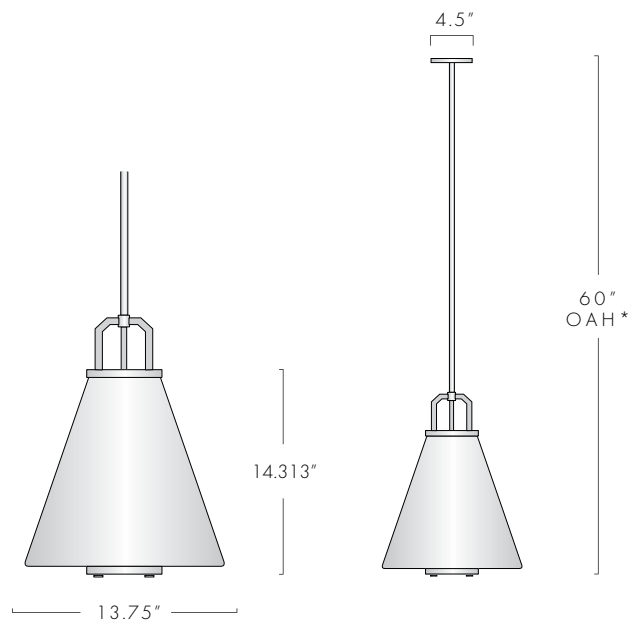
CEILING PLATE / J-BOX

4.5" Diameter

ELECTRICAL

1 x E26 3.5W LED Bulb Only

*Custom drop lengths can be specified.







CANTENAC CIRCULAR CHANDELIER

DESCRIPTION

The Catenac Circular Chandelier is made up of ten brass pendants. All parts are hand polished and patina'd. The ceiling plate is made in stainless steel.

FINISHES

Shown in Black Bronze and Lite Antique Bronze (standard). Please inquire about our other finishes. Note: All finishes may vary slightly.

SHADE

Brass.

MODEL #
2 0 2 6

DIMENSIONS
18 DIA x 60 OAH*

NET WT.
32 lbs

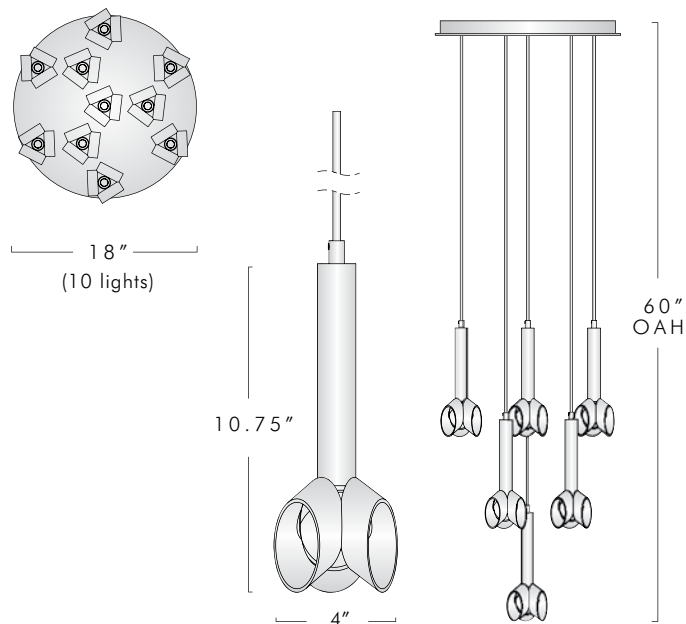
CEILING PLATE

18" Diameter - J-Box on center - Additional blocking or anchoring may be required.

ELECTRICAL

10 x E12 2.5W LED Bulb Only

*Custom drop lengths can be specified.







All Lighting Design and Design Elements are ©2022 by Jonathan Browning Studios, Inc.

CANTENAC PENDANT

DESCRIPTION

The Cantenac Pendant is made by hand from thick-walled brass tubing. The ceiling plate is machined from solid brass. All parts are hand polished and patina'd. The shade exterior is finished in Black Bronze and the interior is Lite Antique Bronze.

FINISHES

Shown in Black Bronze and Lite Antique Bronze (standard). Please inquire about our other finishes. Note: All finishes may vary slightly.

SHADE

Brass.

MODEL #	DIMENSIONS	NET WT.
2 2 2 4	4.5 DIA x 60 OAH*	3 lbs

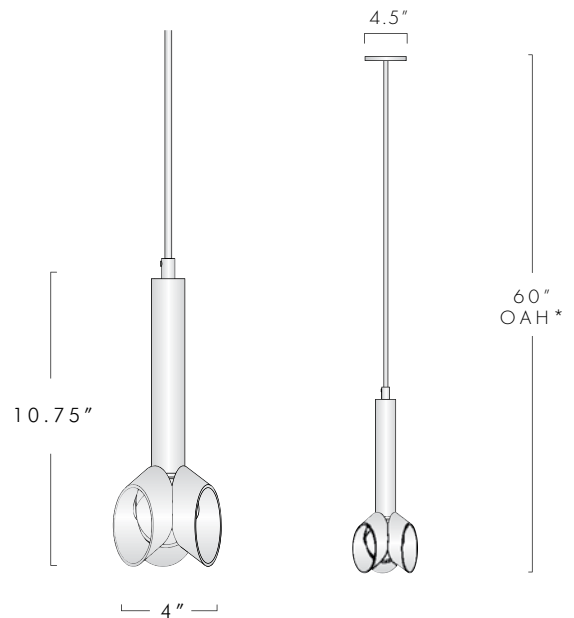
CEILING PLATE / J-BOX

4.5" Diameter

ELECTRICAL

1 x E12 4W LED Bulb Only

*Custom drop lengths can be specified.







All Lighting Design and Design Elements are © 2018 by Jonathan Browning Studios, Inc.

CAMUS CHANDELIER

DESCRIPTION

The Camus Chandelier is made from solid brass. All parts are hand polished and patina'd. The beveled cube lays within a flattened brass diamond. The lead crystal panels are carved and polished by hand. Available in two sizes.

FINISHES

Shown in Oil Rubbed Bronze (standard). Please inquire about our other finishes. Note: All finishes may vary slightly.

SHADE

Lead Crystal.

MODEL #	DIMENSIONS	NET WT.
1 8 4 2	26.25 W x 28.5 H x 62 OAH*	60 lbs

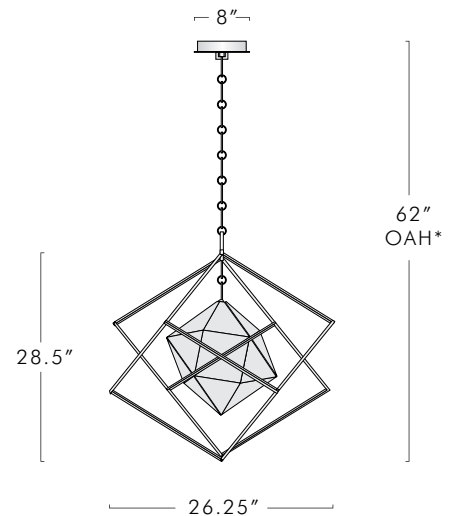
CEILING PLATE

8" Diameter - Additional blocking or anchoring may be required.

ELECTRICAL

2 x E26 8W LED - 180W Max - LED Standard

*Custom drop lengths can be specified.







All Lighting Design and Design Elements are ©2013 by Jonathan Browning Studios, Inc.

CHAMONT CHANDELIER

DESCRIPTION

The Chamont Chandelier is machined by hand from solid brass. The round rods of the two arms transform seamlessly into its square spine at each corner. Six lead crystal cylinders, with hand carved details, sit along the spine.

FINISHES

Shown in Oil Rubbed Bronze (standard). Please inquire about our other finishes. Note: All finishes may vary slightly.

SHADE

Lead Crystal.

MODEL

1 3 5 0

DIMENSIONS

54 L x 4.5 W x 50.75 OAH*

NET WT.

25 lbs

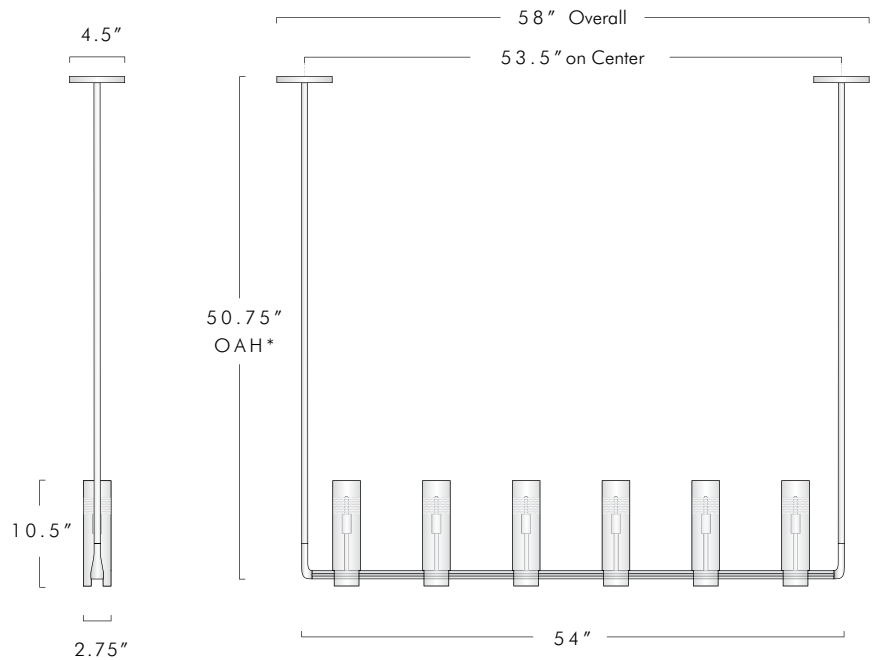
CEILING PLATE

Two 4.5" Circular Ceiling Mounts - 53.5" on Center
Some additional blocking may be required.

ELECTRICAL

6 x E12 40w - 360w max - LED available

*Custom drop lengths can be specified.







All Lighting Design and Design Elements are ©2013 by Jonathan Browning Studios, Inc.

CHAMONT LAVALIER

DESCRIPTION

The Chamont Lavalier is machined by hand from solid brass. The round rods of the two arms transform seamlessly into its square spine at each corner. A lead crystal cylinder, with hand carved spine at each corner, sits along the spine.

FINISHES

Shown Oil Rubbed Bronze (standard). Please inquire about our other finishes. Note: All finishes may vary slightly.

SHADE

Lead Crystal.

MODEL

1 5 5 0

DIMENSIONS

7.375 L x 7.375 W x 60 OAH*

NET WT.

10 lbs

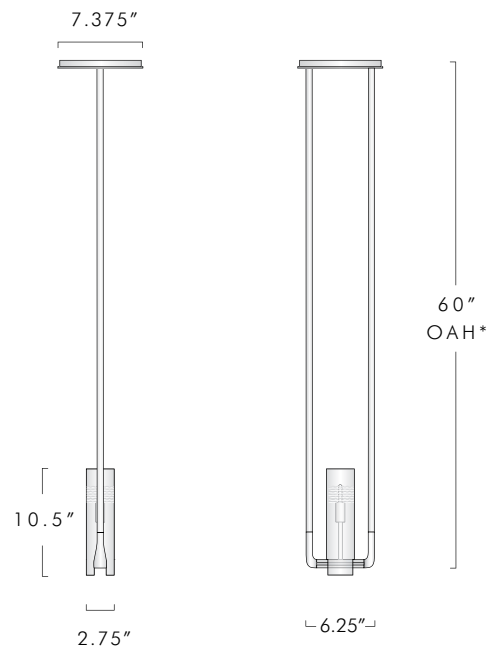
CEILING PLATE

7.375 Diameter

ELECTRICAL

1 x E12 40W - 40W Max - LED Available

*Custom drop lengths can be specified.







All Lighting Design and Design Elements are ©2014 by Jonathan Browning Studios, Inc.

CHAMONT PENDANT

DESCRIPTION

The Chamont Pendant is machined by hand from solid brass. The shade is made of borosilicate glass which is carved by hand on a diamond wheel.

FINISHES

Shown in Oil Rubbed Bronze (standard). Please inquire about our other finishes. Note: All finishes may vary slightly.

SHADE

Borosilicate Glass

MODEL

1 5 5 1

DIMENSIONS

4.5 Diam x 11 H x 40 OAH*

NET WT.

7 lbs

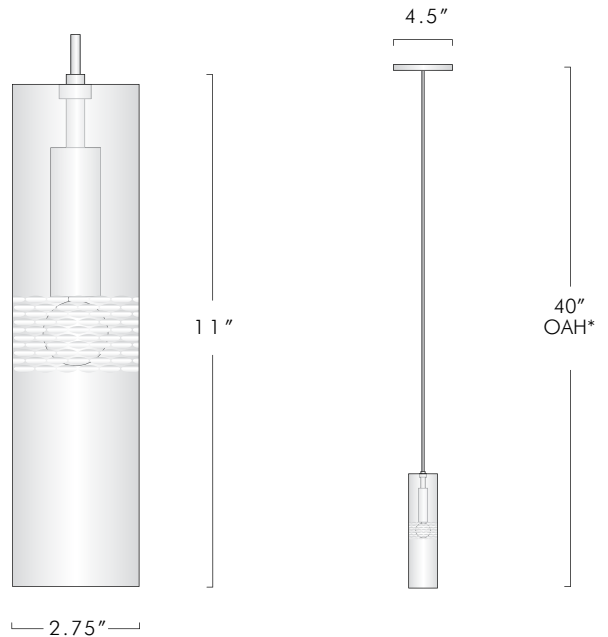
CEILING PLATE

4.5" Diameter

ELECTRICAL

1 x 5w LED Bulb Only - (40w incandescent equivalent)
Warm White, Dimmable

*Custom drop lengths can be specified.







CHARLOT CIRCULAR CHANDELIER

DESCRIPTION

The Charlot Circular Chandelier is made from smoked borosilicate glass. The ceiling plate and socket cover are machined and polished by hand.

FINISHES

Black Bronze Canopy and Socket Covers (standard). Please inquire about our other finishes. Note: All finishes may vary slightly.

SHADE

Smoked Borosilicate Glass.

MODEL #	DIMENSIONS	NET WT.
1 7 3 1	18 DIA x 72 OAH*	50 lbs

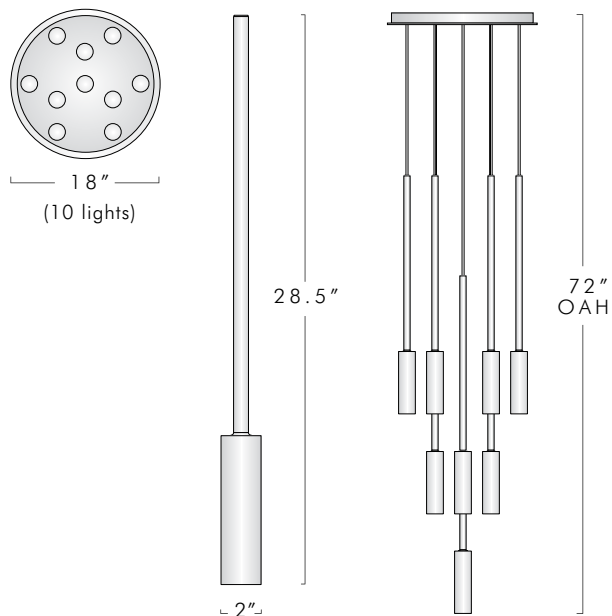
CEILING PLATE / J-BOX

18" Diameter - J-Box on center - Additional blocking or anchoring may be required.

ELECTRICAL

10 x E12 4W LED Bulb only
Total 40W - Warm White, Dimmable.

*Custom drop lengths can be specified.







All Lighting Design and Design Elements are ©2018 by Jonathan Browning Studios, Inc.

CHARLOT PENDANT

DESCRIPTION

The Charlot Pendant is made from smoked borosilicate glass. The ceiling plate and socket cover are machined and polished by hand from solid brass.

FINISHES

Shown in Black Bronze (standard). Please inquire about our other finishes. Note: All finishes may vary slightly.

SHADE

Smoked Borosilicate Glass.

MODEL

1 8 2 1

DIMENSIONS

5.125 DIA x 60 OAH*

NET WT.

5 lbs

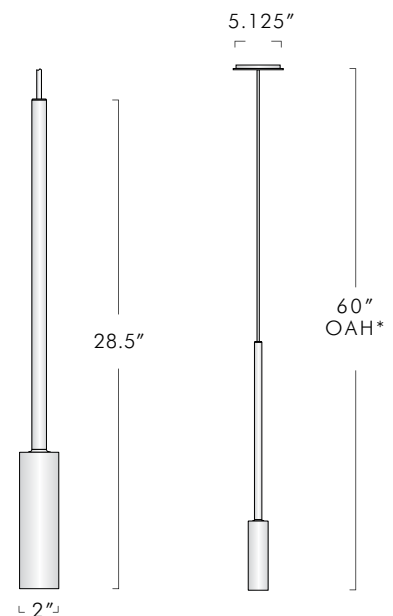
CEILING PLATE

5.125" Diameter

ELECTRICAL

1 x E12 4W LED Bulb Only
Warm White, Dimmable

*Custom drop lengths can be specified.







All Lighting Design and Design Elements are ©2023 by Jonathan Browning Studios, Inc.

CHARTIER 10 LIGHT CIRCULAR CHANDELIER

DESCRIPTION

The Chartier 10 Light Circular Chandelier is made up of ten lead crystal Chartier Pendants. The ceiling plate and socket covers are made by hand. All parts are hand polished and patina'd.

FINISHES

Shown in Oil Rubbed Bronze (standard) with Black Bronze ceiling plate. Please inquire about our other finishes. Note: All finishes may vary slightly.

SHADE

Clear Lead Crystal.

MODEL #
2 2 2 9

DIMENSIONS
18 DIA x 72 OAH*

NET WT.
95 lbs

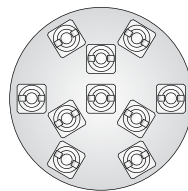
CEILING PLATE

18" Diameter - J-Box on center - Additional blocking or anchoring is recommended.

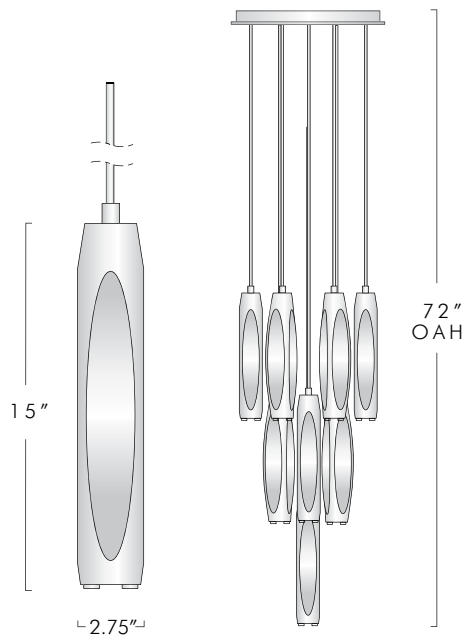
ELECTRICAL

10 x E26 3.5W T8 LED filament bulb only

*Custom drop lengths can be specified.



18"
(10 lights)







All Lighting Design and Design Elements are ©2018 by Jonathan Browning Studios, Inc.

CHARTIER CIRCULAR CHANDELIER

DESCRIPTION

The Chartier Circular Chandelier is machined from solid brass. All parts are hand polished and patina'd. The lead crystal shades are hand polished.

FINISHES

Shown in Oil Rubbed Bronze (standard). Please inquire about our other finishes. Note: All finishes may vary slightly.

SHADE

Lead Crystal.

MODEL

1 7 2 4

DIMENSIONS

60 DIA x 60 OAH*

NET WT.

120 lbs

CEILING PLATE / J-BOX

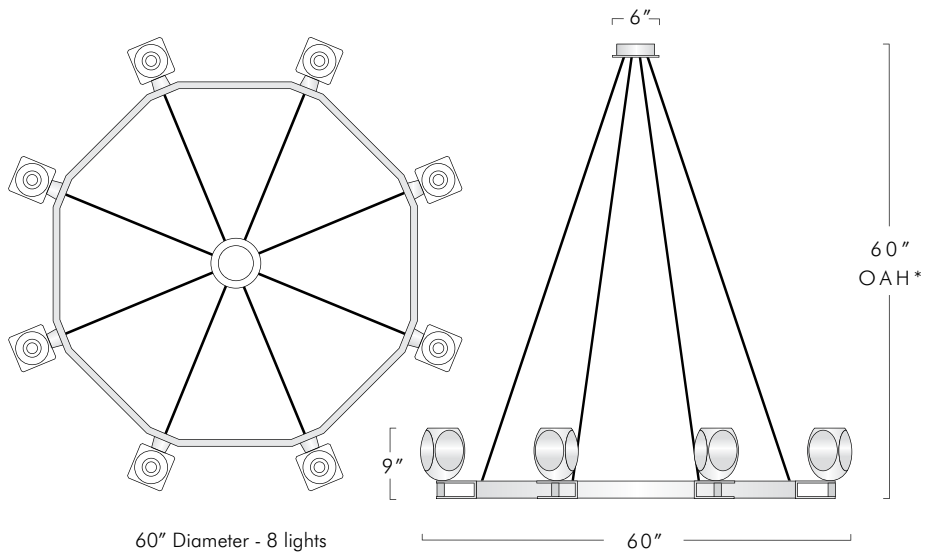
8" Diameter

Additional blocking or anchoring may be required.

ELECTRICAL

8 x E26 25W - 480W Max - LED Available

*Custom drop lengths can be specified.







CHARTIER LINEAR CHANDELIER

DESCRIPTION

The Chartier Linear Chandelier is machined from solid brass. All parts are hand polished and patina'd. The lead crystal shades are hand polished.

FINISHES

Shown in Oil Rubbed Bronze (standard). Please inquire about our other finishes. Note: All finishes may vary slightly.

SHADE

Lead Crystal.

MODEL #	DIMENSIONS	NET WT.
1725	60 W x 17.5 D x 60 OAH*	143 lbs

CEILING PLATE / J-BOX

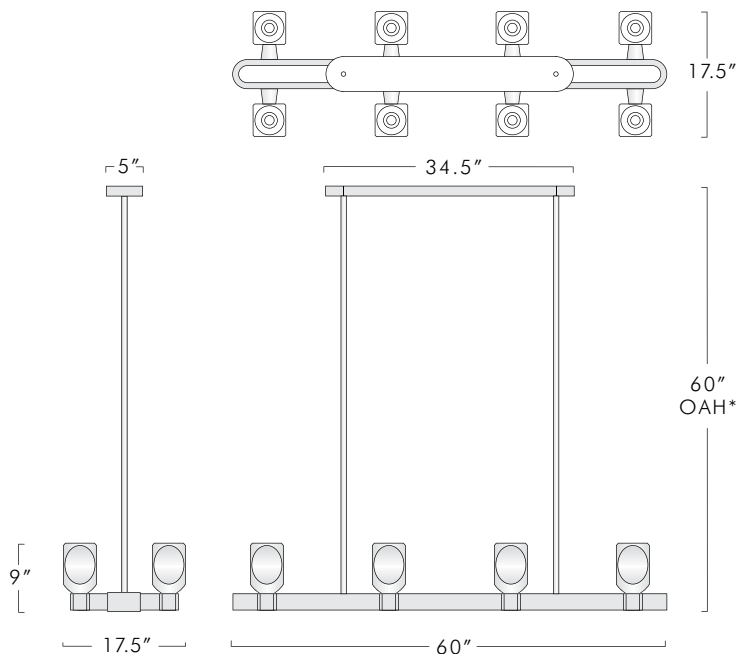
34.5" W x 5" D

Additional blocking or anchoring may be required.

ELECTRICAL

8 x E26 25W - 480W Max - LED Available.

*Custom drop lengths can be specified.







CHARTIER PENDANT

DESCRIPTION

The Chartier Pendant is machined from solid brass. All parts are hand polished and patina'd. The lead crystal shade is hand polished.

FINISHES

Shown in Oil Rubbed Bronze (standard). Please inquire about our other finishes. Note: All finishes may vary slightly.

SHADE

Lead Crystal.

MODEL

1 7 8 5

DIMENSIONS

4.5 DIA x 60 OAH*

NET WT.

8 lbs

CEILING PLATE

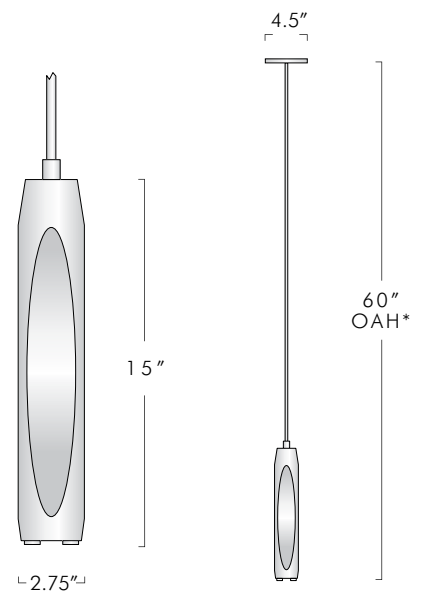
4.5" Diameter

ELECTRICAL

1x E26 40w T8 - 75w Max

1x E26 3.5w T8 LED

*Custom drop lengths can be specified.







CHARTIER SQUARE CHANDELIER

DESCRIPTION

The Chartier Square Chandelier is machined from solid brass. All parts are hand polished and patina'd. The lead crystal shades are hand polished.

FINISHES

Shown in Oil Rubbed Bronze (standard). Please inquire about our other finishes. Note: All finishes may vary slightly.

SHADE

Lead Crystal.

MODEL

1 7 2 6

DIMENSIONS

36 DIA x 60 OAH*

NET WT.

60 lbs

CEILING PLATE / J-BOX

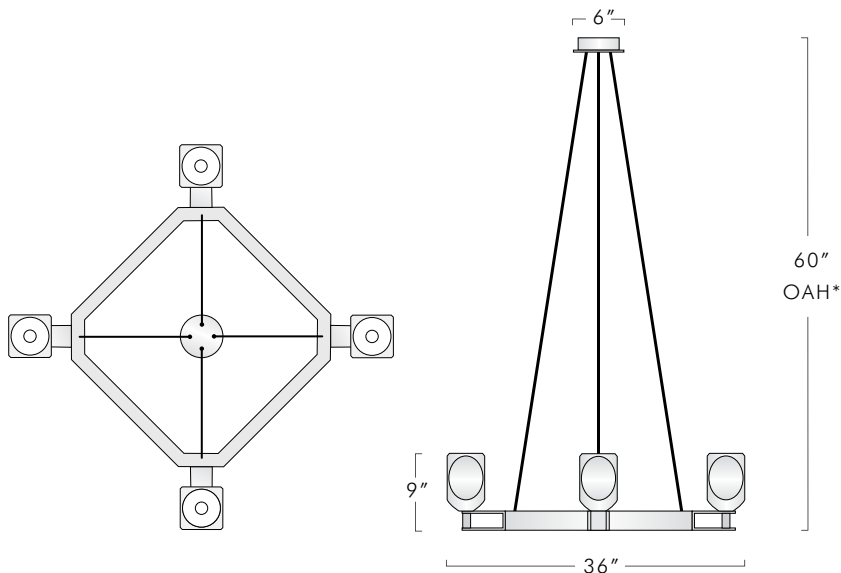
6" Diameter

Additional blocking or anchoring may be required.

ELECTRICAL

4 x E26 25W - 240W Max - LED Available.

*Custom drop lengths can be specified.







CHATELET CIRCULAR CHANDELIER

DESCRIPTION

The Chatelet Circular Chandelier is made up of ten lead crystal pendants. All parts are hand polished and patina'd. The ceiling plate and socket covers are also made by hand.

FINISHES

Black Bronze Canopy and Socket Covers (standard). Please inquire about our other finishes. Note: All finishes may vary slightly.

SHADE

Lead Crystal in either Clear or Canary.

MODEL #	DIMENSIONS	NET WT.
1 8 3 2	18" Diameter x 72 OAH*	75 lbs

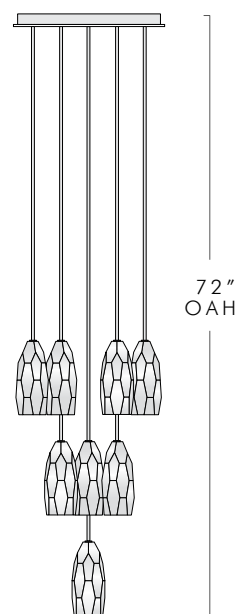
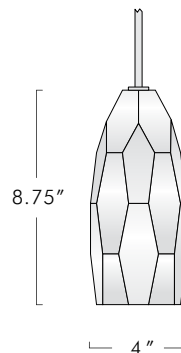
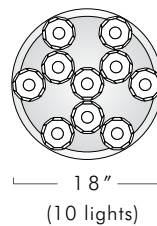
CEILING PLATE / J-BOX

18" Diameter - J-Box on center - Additional blocking or anchoring may be required.

ELECTRICAL

10 x E12 5W LED Bulb Only - (40W incandescent equivalent). Total 50W - (400W equivalent)

*Custom drop lengths can be specified.







CHATELET LINEAR CHANDELIER

DESCRIPTION

The Chatelet Linear Chandelier is made up of twelve lead crystal pendants. All parts are hand polished and patina'd. The ceiling plate and socket covers are also made by hand.

FINISHES

Black Bronze Canopy and Socket Covers (standard). Please inquire about our other finishes. Note: All finishes may vary slightly.

SHADE

Lead Crystal in either Clear or Canary.

MODEL

1 8 4 0

DIMENSIONS

60 W x 12 D x 60 OAD*

NET WT.

115 lbs.

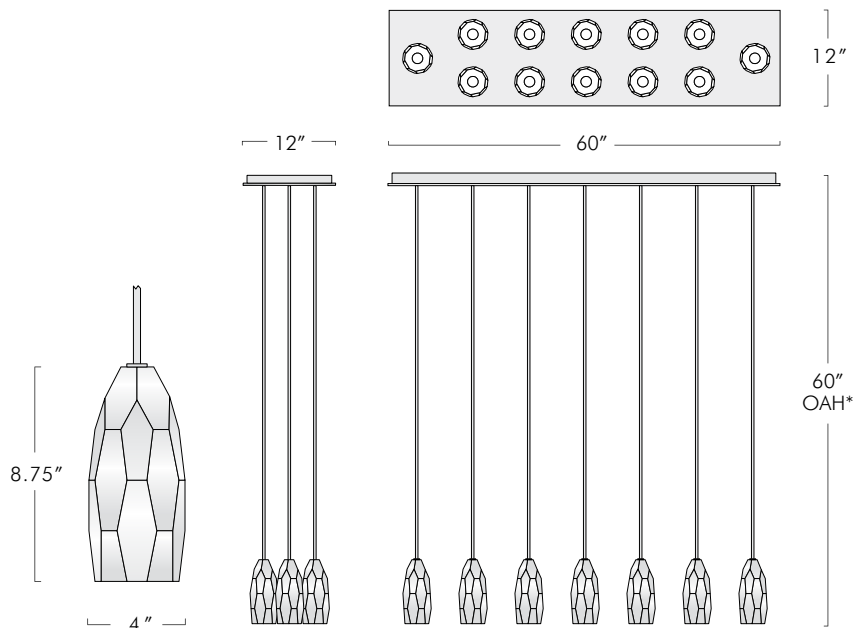
CEILING PLATE / J-BOX

60" x 12" Additional blocking or anchoring may be required.

ELECTRICAL

12 x E12 5W LED Bulb Only - (40W incandescent equivalent).
Total 60W - (480W equivalent)

*Custom drop lengths can be specified.







CHATELET PENDANT

DESCRIPTION

The Chatelet Pendant is made of lead crystal. All parts are hand polished and patina'd. The ceiling plate and sockets are also made by hand in brass.

FINISHES

Shown in Oil Rubbed Bronze (standard). Please inquire about our other finishes. Note: All finishes may vary slightly.

SHADE

Lead Crystal in either Clear or Canary.

MODEL #	DIMENSIONS	NET WT.
1 8 3 3	4.5 Diam x 60 OAH*	5 lbs

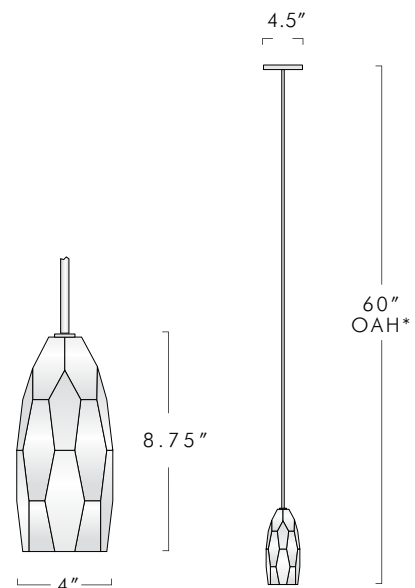
CEILING PLATE / J-BOX

4.5" Diameter

ELECTRICAL

1 x E12 5W LED Bulb Only - (40W incandescent equivalent)

*Custom drop lengths can be specified.







CORNICHE CIRCULAR CHANDELIER

DESCRIPTION

The Corniche Circular Chandelier is machined by hand from solid brass. All parts are hand polished and patina'd. The shades are made from ivory silk.

FINISHES

Shown in Oil Rubbed Bronze (standard). Please inquire about our other finishes. Note: All finishes may vary slightly.

SHADE

Ivory Silk

MODEL

1 8 1 1

DIMENSIONS

60 DIA x 60 OAH*

NET WT.

34 lbs

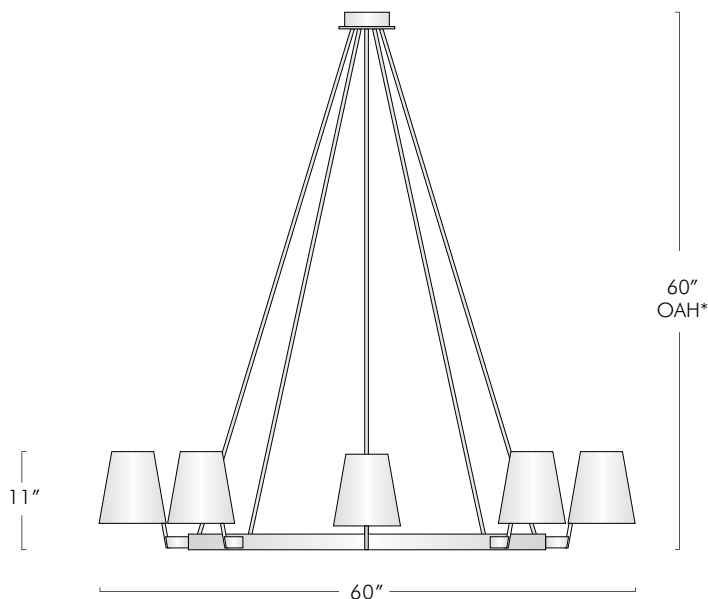
CEILING PLATE/J-BOX

6" Diameter / J-Box on center.

ELECTRICAL

8 x E12 4W LED - 320W max - LED Standard

*Custom drop lengths can be specified.







CORNICHE LINEAR CHANDELIER

DESCRIPTION

The Corniche Linear Chandelier is machined by hand from solid brass. All parts are hand polished and patina'd. The shades are made from ivory silk.

FINISHES

Shown in Oil Rubbed Bronze (standard). Please inquire about our other finishes. Note: All finishes may vary slightly.

SHADE

Ivory Silk

MODEL #	DIMENSIONS	NET WT.
1 8 1 2	60 L x 22 W x 60 OAH*	85 lbs

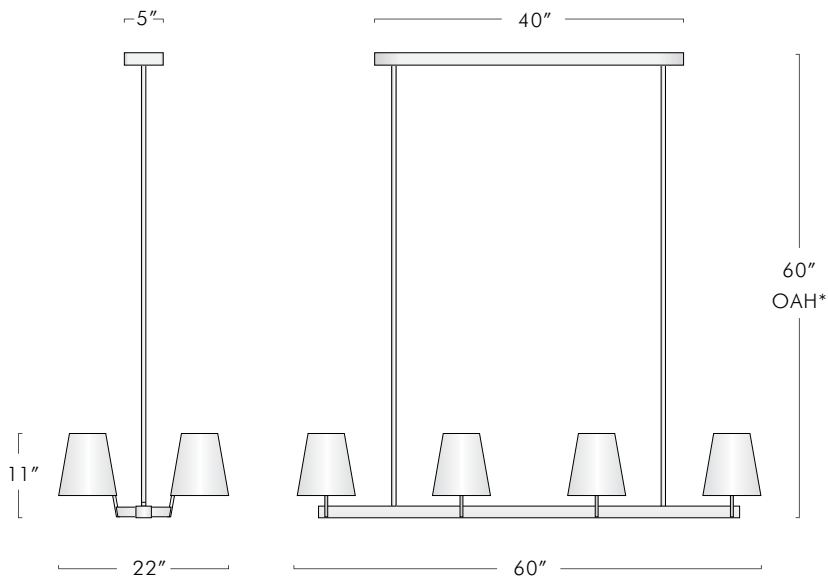
CEILING PLATE/J-BOX

40"W x 5"D / J-Box on center - Additional blocking or anchoring may be required.

ELECTRICAL

8 x E12 4W LED - 320W max - LED Standard

*Custom drop lengths can be specified.







CORNICHE PENDANT

DESCRIPTION

The Corniche Pendant is machined by hand from solid brass. All parts are hand polished and patina'd. The shade is made from ivory silk.

FINISHES

Shown in Oil Rubbed Bronze (standard). Please inquire about our other finishes. Note: All finishes may vary slightly.

SHADE

Ivory Silk.

MODEL

1810

DIMENSIONS

7.5 Dia x 60 OAH*

NET WT.

6 lbs

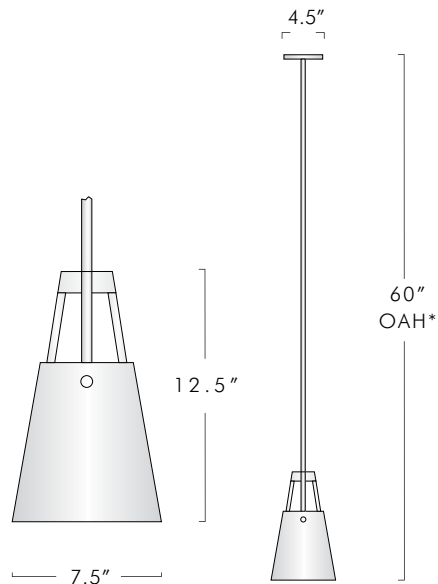
CEILING PLATE

4.5" Diameter

ELECTRICAL

1 x E12 4W LED - 40W Max - LED Standard

*Custom drop lengths can be specified.







All Lighting Design and Design Elements are ©2020 by Jonathan Browning Studios, Inc.

CORNICHE 4 LIGHT PENDANT

DESCRIPTION

The Corniche 4 Light Pendant is machined from solid brass. All parts are hand polished and patina'd. The shades are made from ivory silk.

FINISHES

Shown in Oil Rubbed Bronze (standard). Please inquire about our other finishes. Note: All finishes may vary slightly.

SHADE

Ivory Silk.

MODEL

1 9 2 6

DIMENSIONS

26 DIA x 60 OAH*

NET WT.

12 lbs

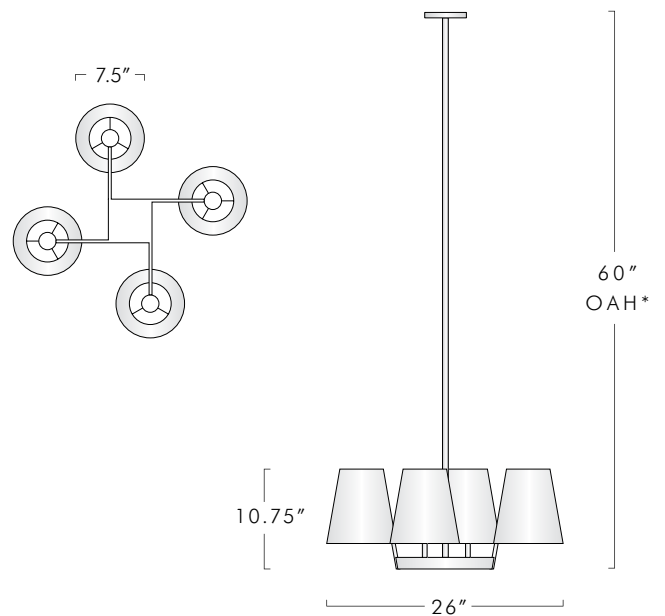
CEILING PLATE

4.5" Diameter

ELECTRICAL

4 x E12 4W LED - 160W Max - LED Standard

*Custom drop lengths can be specified.







All Lighting Design and Design Elements are ©2023 by Jonathan Browning Studios, Inc.

DESSAY CIRCULAR CHANDELIER

DESCRIPTION

The Dessay Circular Chandelier is machined from solid brass. All parts are hand polished and patina'd. The shades are made from ivory silk.

FINISHES

Shown in Lite Antique Bronze and Oil Rubbed Bronze (standard). Please inquire about our other finishes. Note: All finishes may vary slightly.

SHADE

Ivory Silk.

MODEL

2 3 0 7

DIMENSIONS

60 DIA x 60 OAH*

NET WT.

26 lbs

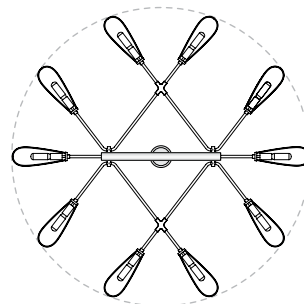
CEILING PLATE

4.5" Diameter

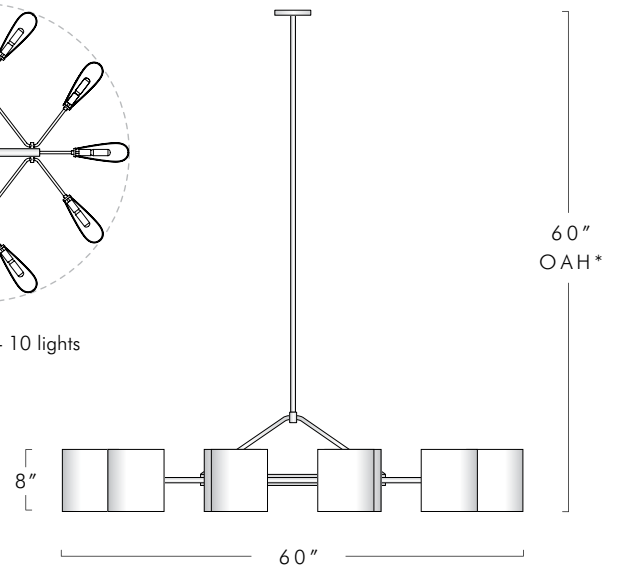
ELECTRICAL

10 x E26 T10 6W LED

*Custom drop lengths can be specified.



60" Diameter - 10 lights







DESSAY LINEAR CHANDELIER

DESCRIPTION

The Dessay Linear Chandelier is machined from solid brass. All parts are hand polished and patina'd. The shades are made from ivory silk.

FINISHES

Shown in Lite Antique Bronze and Oil Rubbed Bronze (standard). Please inquire about our other finishes. Note: All finishes may vary slightly.

SHADE

Ivory Silk.

MODEL #

2309

DIMENSIONS

60 W x 24 D x 60 OAH*

NET WT.

21 lbs

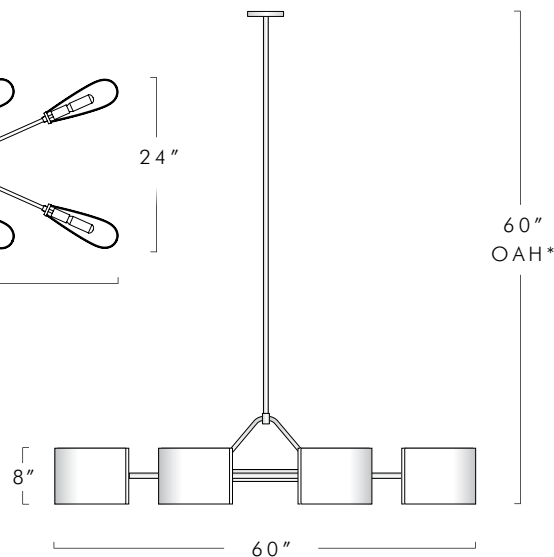
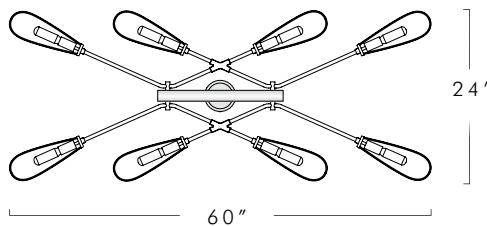
CEILING PLATE

4.5" Diameter

ELECTRICAL

8 x E26 T10 5.5W LED bulb only

*Custom drop lengths can be specified.







All Lighting Design and Design Elements are ©2023 by Jonathan Browning Studios, Inc.

DUBREUIL PENDANT

DESCRIPTION

The Dubreuil Pendant is machined by hand from solid brass. The textured glass panels are made via casting to achieve subtle wavy details. All parts are hand polished and patina'd.

FINISHES

Shown in Oil Rubbed Bronze (standard). Please inquire about our other finishes. Note: All finishes may vary slightly.

SHADE

Textured Cast Glass.

MODEL #	DIMENSIONS	NET WT.
2 2 4 1	14.875 DIA x 60 OAH*	15 lbs

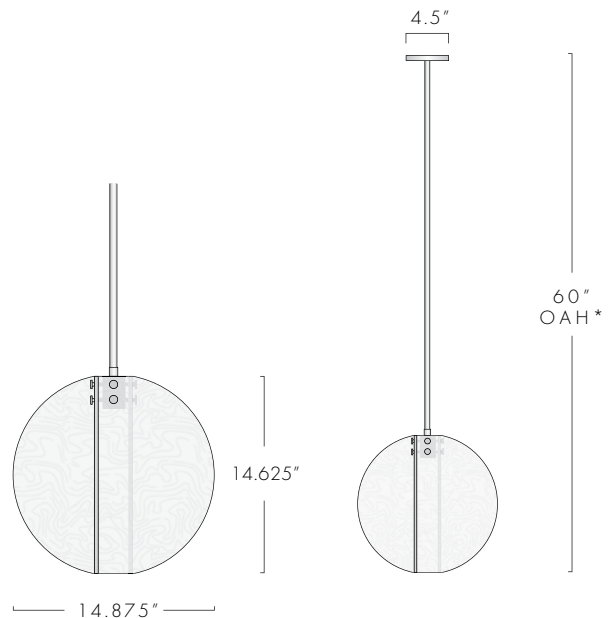
CEILING PLATE / J-BOX

4.5" Diameter

ELECTRICAL

1 x E26 5W LED filament bulb only

*Custom drop lengths can be specified.







DUVERNOIS LAVALIER

DESCRIPTION

The Duvernois Lavalier is made of solid brass. All parts are hand polished and patina'd. The frosted glass shade is surrounded by a column of brass fins.

FINISHES

Shown in Oil Rubbed Bronze (standard). Please inquire about our other finishes. Note: All finishes may vary slightly.

SHADE

Frosted Glass.

MODEL #	DIMENSIONS	NET WT.
1 9 3 1	7.375 DIA x 60 OAH *	18 lbs

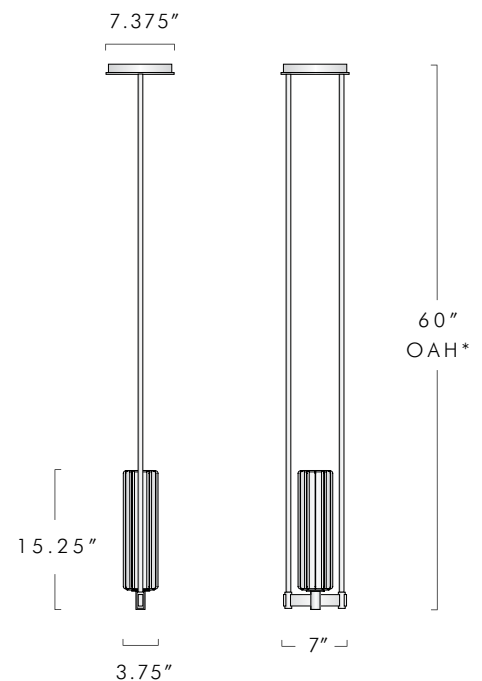
CEILING PLATE

7.375" Diameter

ELECTRICAL

1 x E26 40W - 75W Max - LED Available

*Custom drop lengths can be specified.







FONTENAY LINEAR CHANDELIER

DESCRIPTION

The Fontenay Linear Chandelier is made up of twelve lead crystal pendants which are turned by hand on a lathe. The top plate and socket covers are also made by hand.

FINISHES

Black Bronze Canopy and Socket Covers (standard). Please inquire about our other finishes. Note: All finishes may vary slightly.

SHADE

Lead Crystal.

MODEL

1 5 5 4

DIMENSIONS

60 W x 12 D x 60 OAH*

NET WT.

125 lbs

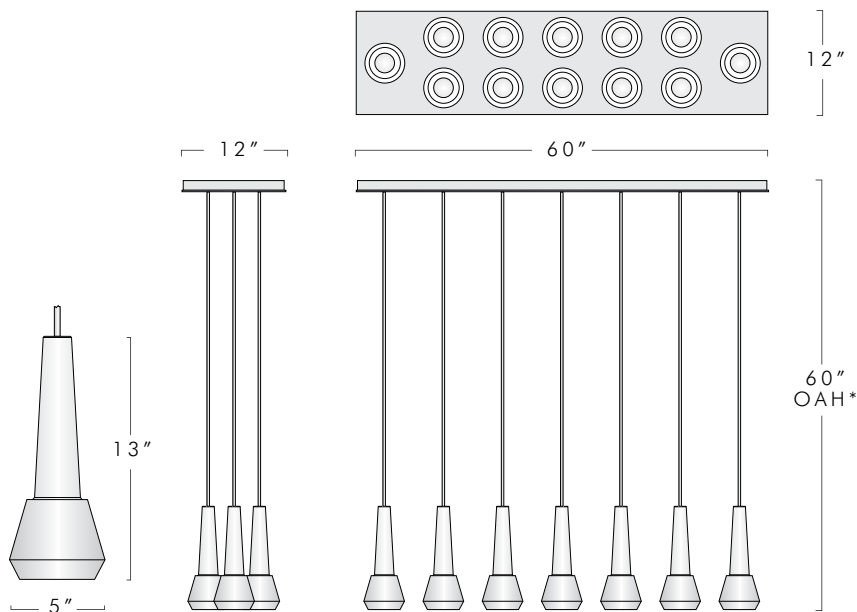
CEILING PLATE

60" x 12" Additional blocking or anchoring may be required.

ELECTRICAL

12 x 5w LED Bulbs Only - (40w incandescent equivalent)
Total 60w - (480w equivalent), Warm White, Dimmable

*Custom drop lengths can be specified.







All Lighting Design and Design Elements are ©2015 by Jonathan Browning Studios, Inc.

FONTENAY PENDANT

DESCRIPTION

The Fontenay Pendant is handmade of lead crystal. The ceiling plate and socket cover are turned by hand from solid brass.

FINISHES

Shown in Black Bronze. Please inquire about our other finishes. Note: All finishes may vary slightly.

SHADE

Lead Crystal.

MODEL

DIMENSIONS

NET WT.

1 5 5 5 5.125 Diam x 50 OAH*

9 lbs

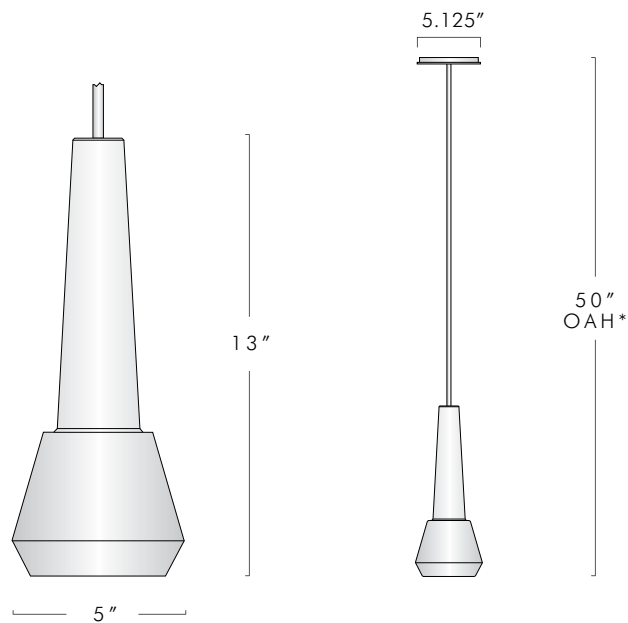
CEILING PLATE

5.125" Diameter

ELECTRICAL

1 x 5w LED Bulb Only - (40w incandescent equivalent)
Warm White, Dimmable

*Custom drop lengths can be specified.







FRANCAIX PENDANT

DESCRIPTION

The Francaix Pendant is machined by hand from solid brass. All parts are hand polished and patina'd. The lead crystal panels are machined and polished by hand.

FINISHES

Shown in Oil Rubbed Bronze (standard). Please inquire about our other finishes. Note: All finishes may vary slightly.

SHADE

Crystal in both a clear and opalescent option.

MODEL

1 7 6 5

DIMENSIONS

6.5 W x 4.5 D x 60 OAH*

NET WT.

12 lbs

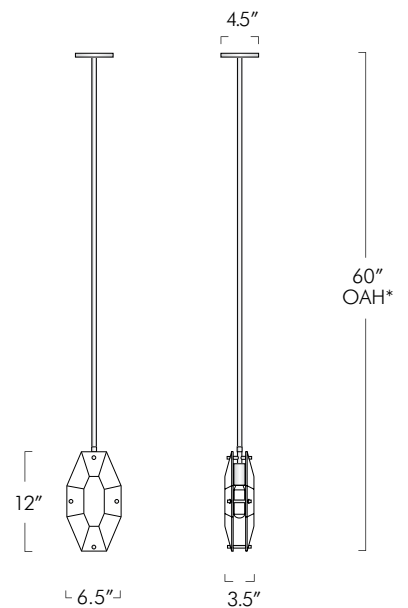
CEILING PLATE

4.5" Diameter

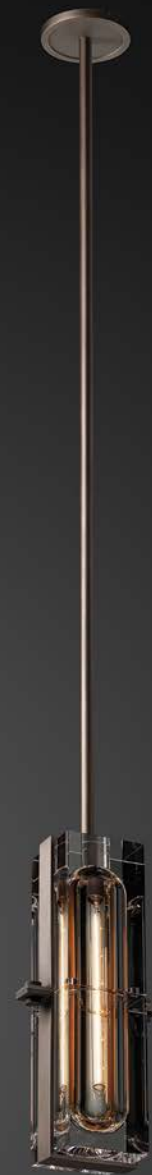
ELECTRICAL

1 x E26 40w T10 60watt max - LED Available

*Custom drop lengths can be specified.







GLAÇON PENDENT

DESCRIPTION

The Glaçon Pendant is machined from solid brass. All parts are hand polished and patina'd. The lead crystal is machined and polished by hand. The brass band secures the crystal to the fixture.

FINISHES

Shown in Oil Rubbed Bronze (standard). Please inquire about our other finishes. Note: All finishes may vary slightly.

SHADE

Lead Crystal.

MODEL #	DIMENSIONS	NET WT.
1 9 1 9	6.75 W x 4 D x 60 OAD *	22 lbs

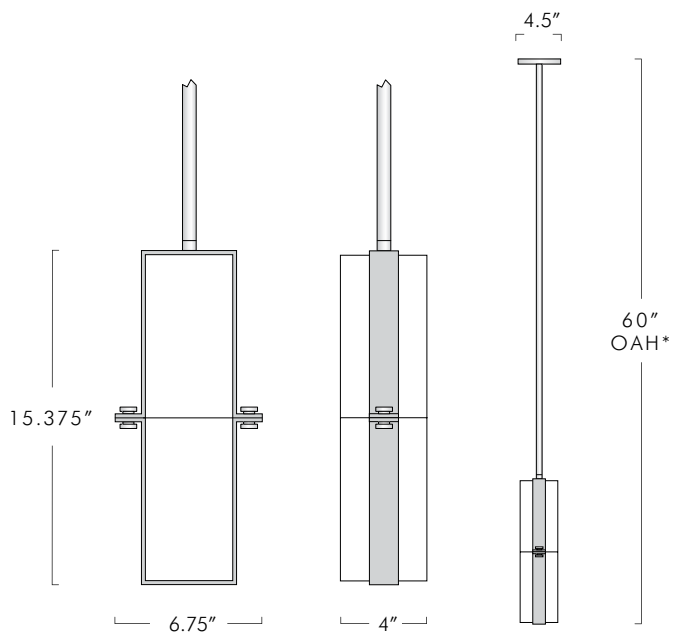
CEILING PLATE

4.5" Diameter

ELECTRICAL

1 x E26 4W LED - 75W max - LED Standard

*Custom drop lengths can be specified.







All Lighting Design and Design Elements are ©2016 by Jonathan Browning Studios, Inc.

LAURISTON CIRCULAR CHANDELIER

DESCRIPTION

The Lauriston Circular Chandelier is machined from solid brass. All parts are hand polished and patina'd. The unglazed porcelain shades are made by hand.

FINISHES

Shown in Oil Rubbed Bronze (standard). Please inquire about our other finishes. Note: All finishes may vary slightly.

SHADE

Unglazed Porcelain. Due to the hand-made nature of these porcelain shades, the thickness, height and texture will vary slightly.

MODEL #	DIMENSIONS	NET WT.
1 6 5 6	60 Diam x 8.5H x 60 OAH*	30 lbs

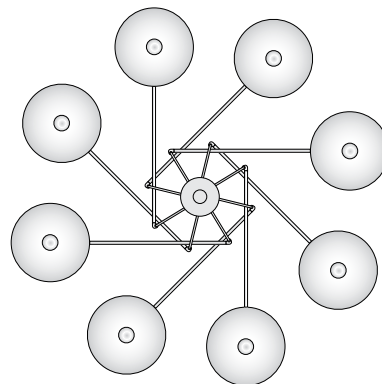
CEILING PLATE

6" Diameter

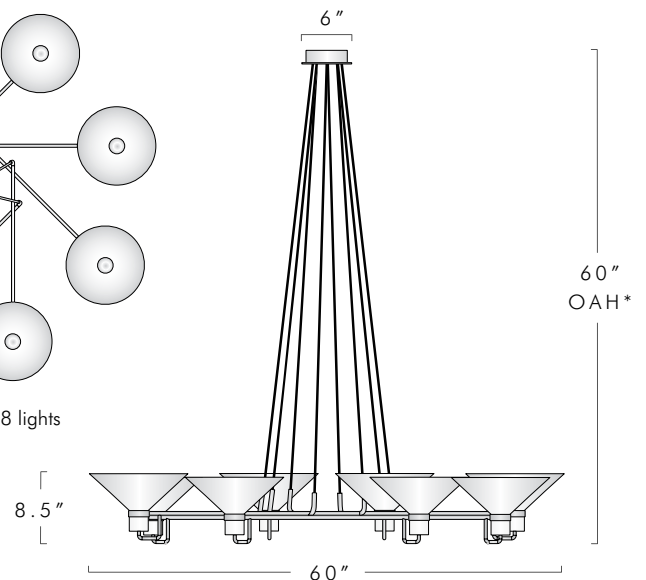
ELECTRICAL

8 x E26 25w 480w max - LED available

*Custom drop lengths can be specified.



60" Diameter - 8 lights







LAURISTON CLUSTER PENDANT

DESCRIPTION

The Lauriston Cluster Pendant is machined from solid brass. All parts are hand polished and patina'd. The unglazed porcelain shade is made by hand.

FINISHES

Shown in Oil Rubbed Bronze (standard). Please inquire about our other finishes. Note: All finishes may vary slightly.

SHADE

Unglazed Porcelain. Due to the hand-made nature of these porcelain shades, the thickness, height, and texture will vary slightly.

MODEL #	DIMENSIONS	NET WT.
2 2 3 1	17.5 Diameter x 60 OAH*	18 lbs

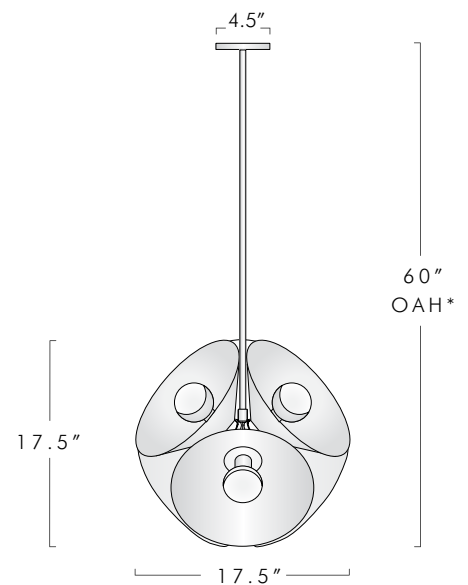
CEILING PLATE

4.5" Diameter

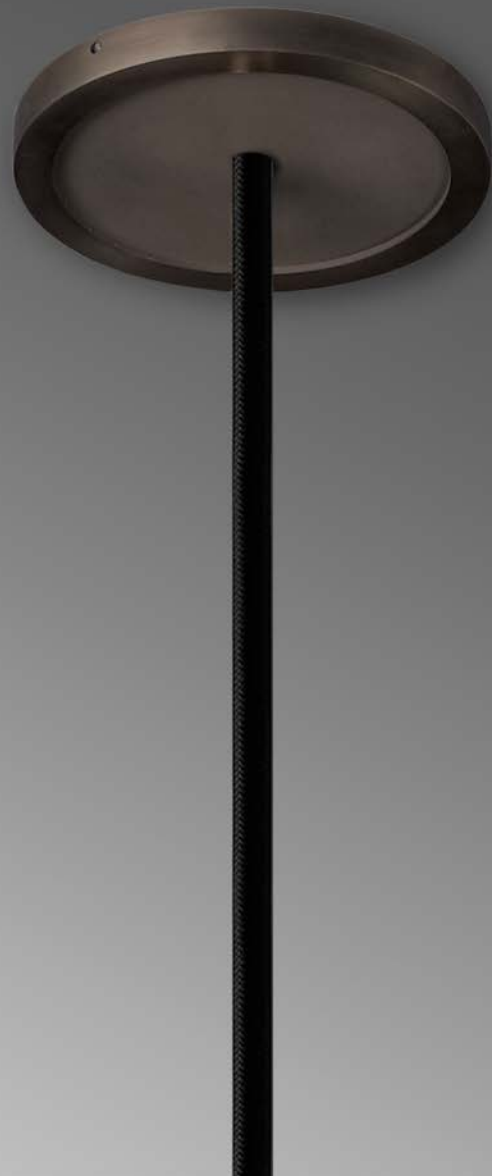
ELECTRICAL

6 x E26 G25 12W Mirrored LED bulb only

*Custom drop lengths can be specified.







LAURISTON PENDANT

DESCRIPTION

The Lauriston Pendant is machined from solid brass. All parts are hand polished and patina'd. The unglazed porcelain shades are made by hand.

FINISHES

Shown in Oil Rubbed Bronze (standard). Please inquire about our other finishes. Note: All finishes may vary slightly.

SHADE

Unglazed Porcelain. Due to the hand-made nature of these porcelain shades, the thickness, height and texture will vary slightly.

MODEL #	DIMENSIONS	NET WT.
1 7 5 0	12 Diam. x 60 OAH*	3 lbs

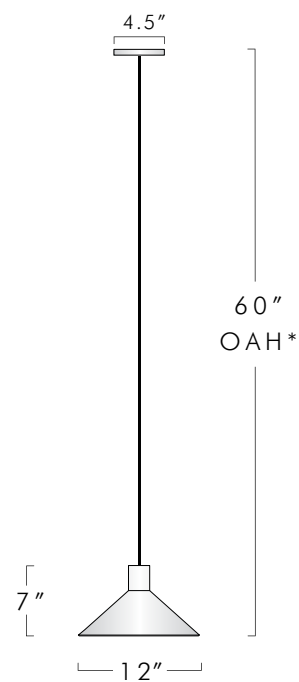
CEILING PLATE

4.5" Diameter

ELECTRICAL

1 x E26 8w LED bulb - (75w equivalent)

*Custom drop lengths can be specified.







LAURISTON 2 LIGHT PENDANT

DESCRIPTION

The Lauriston Two Light Pendant is machined from solid brass. All parts are hand polished and patina'd. The unglazed porcelain shades are made by hand.

FINISHES

Shown in Oil Rubbed Bronze (standard). Please inquire about our other finishes. Note: All finishes may vary slightly.

SHADE

Unglazed Porcelain. Due to the hand-made nature of these porcelain shades, the thickness, height and texture will vary slightly.

MODEL #	DIMENSIONS	NET WT.
1 7 5 1	28W x 12D x 60 OAH*	9 lbs

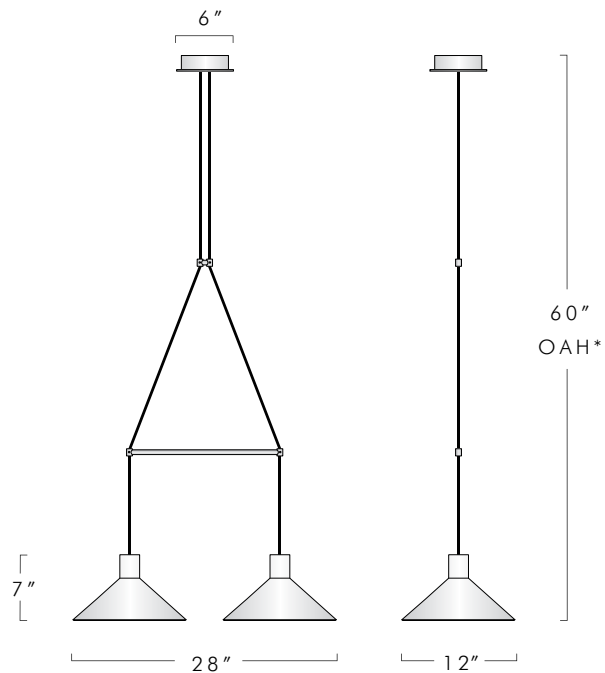
CEILING PLATE

6" Diameter

ELECTRICAL

2 x E26 8w LED bulb - (75w equivalent)

*Custom drop lengths can be specified.







LAURISTON 4 LIGHT PENDANT

DESCRIPTION

The Lauriston 4 Light Pendant is machined by hand from solid brass. All parts are hand polished and patina'd. The shades are unglazed white porcelain.

FINISHES

Shown in Oil Rubbed Bronze (standard). Please inquire about our other finishes. Note: All finishes may vary slightly.

SHADE

Unglazed Porcelain.

MODEL

1 7 5 8

DIMENSIONS

36 Diameter x 60 OAH*

NET WT.

14 lbs

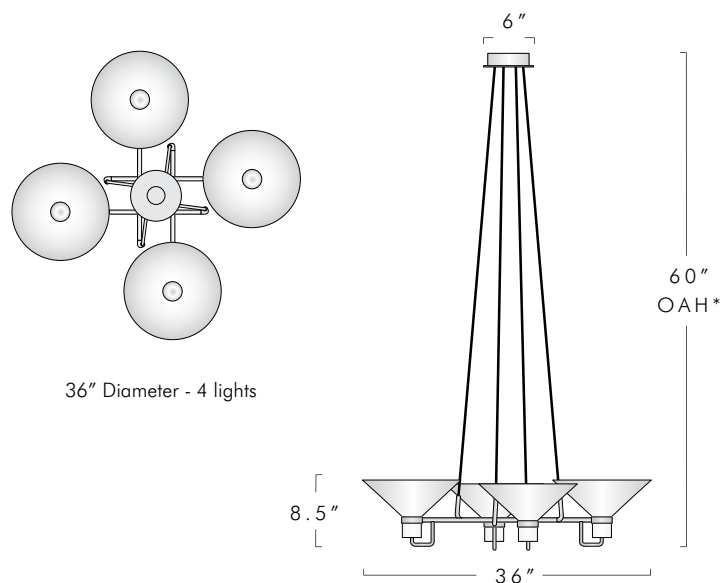
CEILING PLATE

6 Diameter

ELECTRICAL

4 x 8w E26 LED Bulb (75w incandescent equivalent) Total 32 watts (300w equivalent - warm white, dimmable)

*Custom drop lengths can be specified.







All Lighting Design and Design Elements are ©2011 Jonathan Browning Studios, Inc.

LE DIAMANT CHANDELIER

DESCRIPTION

The Le Diamant chandelier is made from heavy wall brass tubes. The four square tubes terminate at each end at a round tube which is offset at various angles. Each round tube terminates with a frosted tubular bulb. These 8 lights create a diamond shape of light offset from the center diamond structure. The electrical cord suspends this brass body at any desired drop length. Ceiling plate is milled of solid brass.

FINISHES

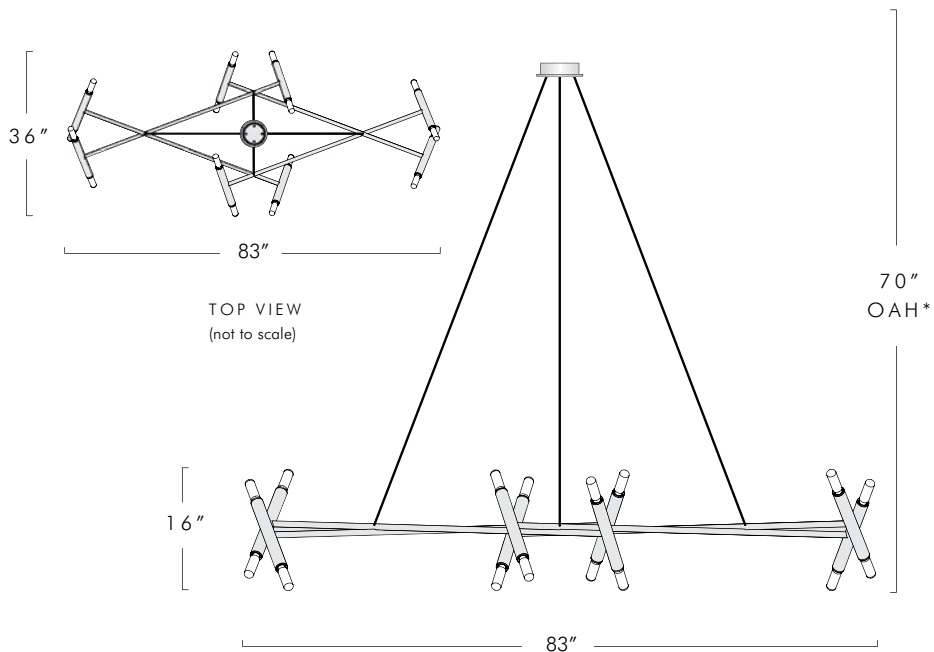
Shown in Oil Rubbed Bronze (standard). Please inquire about our other finishes. Note: All finishes may vary slightly.

MODEL #	DIMENSIONS	NET WT.
1 5 5 6	83W x 36D x 16H 70" OAH*	30 lbs

CEILING PLATE
6" Diameter

ELECTRICAL
16 x E26 25w - 400w max - LED available

*Custom drop lengths can be specified.







All Lighting Design and Design Elements are ©2013 by Jonathan Browning Studios, Inc.

LE PENTAGONE CHANDELIER

DESCRIPTION

Le Pentagone chandelier is made from heavy wall brass tubes. The five square tubes terminate at each end at a round tube which is offset at various angles. Each round tube terminates with a frosted tubular bulb. These 20 lights create a round circle of light offset from the center pentagonal structure. The electrical cord suspends this brass body at any desired drop length. Ceiling plate is milled of solid brass.

FINISHES

Shown in Oil Rubbed Bronze (standard). Please inquire about our other finishes. Note: All finishes may vary slightly.

MODEL #	DIMENSIONS	NET WT.
1 3 5 3	8' Diam x 16 H x 72 OAH*	38 lbs
1 3 5 4	7' Diam x 16 H x 72 OAH*	35 lbs
1 3 5 8	6' Diam x 16 H x 72 OAH*	32 lbs
1 3 5 7	5' Diam x 14 H x 60 OAH*	29 lbs
1 3 5 9	4' Diam x 14 H x 60 OAH*	28 lbs (Standard)
	3' Diam - see Le Petite Pentagone	

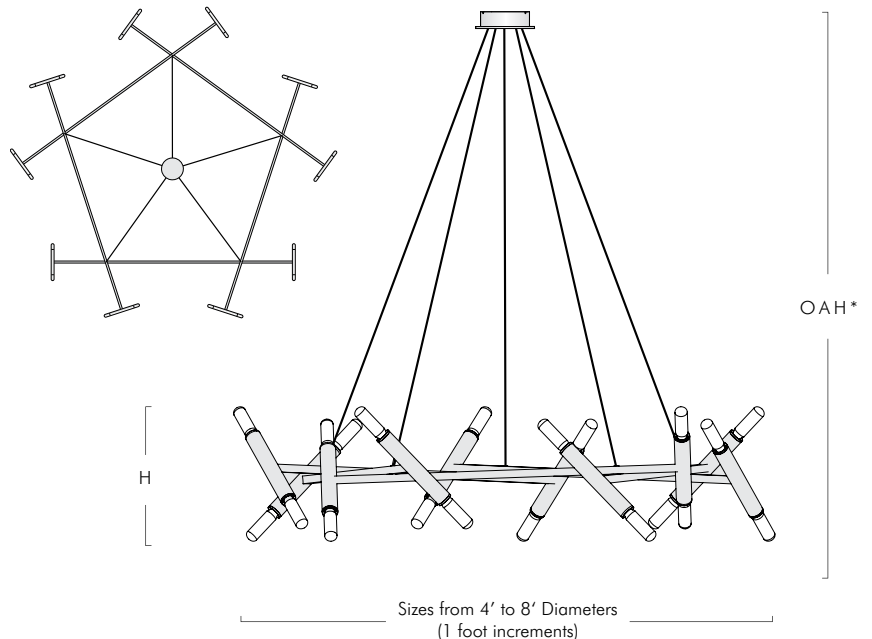
CEILING PLATE

6" Diameter

ELECTRICAL

20 x E26 25w - 500w max - LED available

*Custom drop lengths can be specified.







All Lighting Design and Design Elements are ©2014 by Jonathan Browning Studios, Inc.

LE PETITE PENTAGONE CHANDELIER

DESCRIPTION

Le Petite Pentagone chandelier is made from heavy wall brass tubes. The square tubes terminate at each end into a round tube which is offset at various angles. Each round tube terminates with a frosted tubular bulb. These 20 lights create a round circle of light offset from the center pentagonal structure. The electrical cord suspends this brass body at any desired drop length. Ceiling plate is milled of solid brass.

FINISHES

Shown in Oil Rubbed Bronze (standard). Please inquire about our other finishes. Note: All finishes may vary slightly.

MODEL #	DIMENSIONS	NET WT.
1 3 5 6	36" Diam x 10" H x 54" OAH*	15 lbs

CEILING PLATE

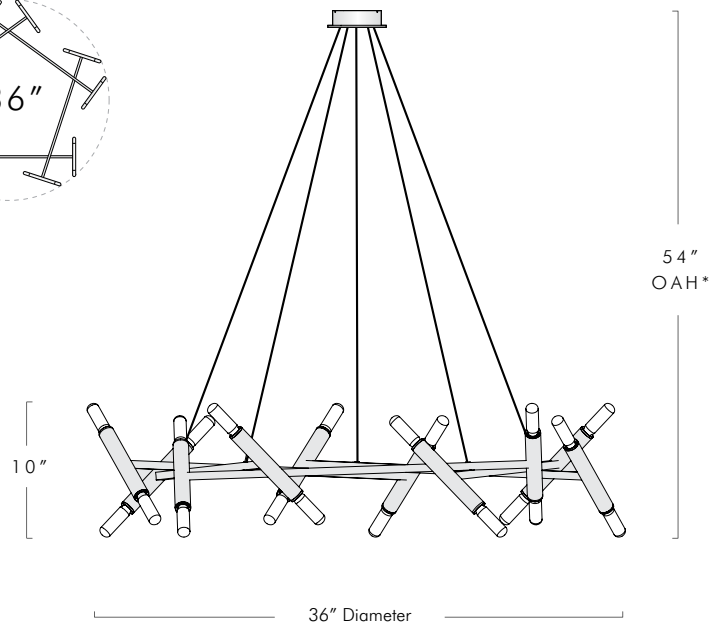
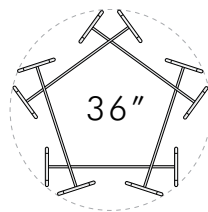
6" Diameter

ELECTRICAL

20 x E12 15w - 300w max - LED available

NOTE ON SIZES

The Petite Pentagon is our smallest version of this chandelier. It is also known as Le Pentagone (see tearsheet) and is available in 1 foot diameter increments from 4' to 8'.



*Custom drop lengths can be specified.





All Lighting Design and Design Elements are ©2020 by Jonathan Browning Studios, Inc.

LE PENTAGONE PENDANT

DESCRIPTION

The Le Pentagone Pendant is machined by hand from solid brass. All parts are hand polished and patina'd.

FINISHES

Shown in Oil Rubbed Bronze (standard). Please inquire about our other finishes. Note: All finishes may vary slightly.

MODEL #	DIMENSIONS	NET WT.
1 8 4 8	16.5 Dia x 60 OAD*	15 lbs

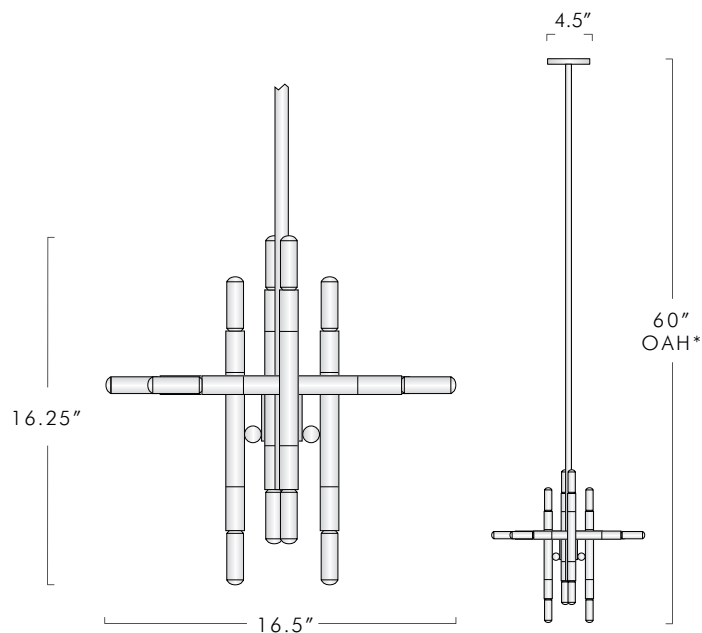
CEILING PLATE

4.5" Diameter

ELECTRICAL

16 x E12 25W - 400W Max - LED Available

*Custom drop lengths can be specified.







All Lighting Design and Design Elements are ©2016 by Jonathan Browning Studios, Inc.

**MONTALEMBERT CHANDELIER
- 6 LIGHT**

DESCRIPTION

The Montalembert Chandelier is machined from solid brass. All parts are hand polished and patina'd. The lead crystal shades are carved and polished by hand.

FINISHES

Shown in Oil Rubbed and Lite Antique Bronze (standard). Please inquire about our other finishes. Note: All finishes may vary slightly.

SHADE

Lead Crystal.

MODEL #

1 6 5 8

DIMENSIONS

36 Diameter x 60 OAH*

NET WT.

43 lbs

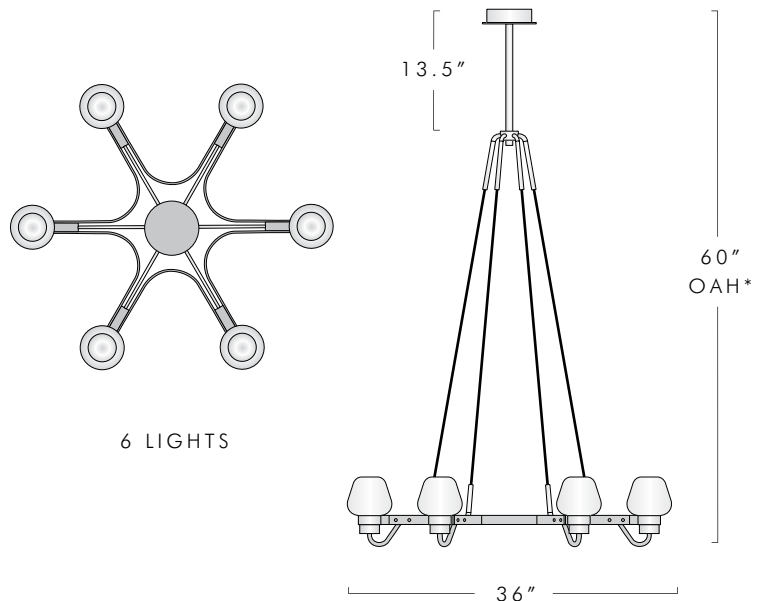
CEILING PLATE

6" Diameter

ELECTRICAL

6 x E12 25w - 360w max - LED Available

*Custom drop lengths can be specified.







All Lighting Design and Design Elements are ©2016 by Jonathan Browning Studios, Inc.

**MONTALEMBERT CHANDELIER
- 3 LIGHT**

DESCRIPTION

The Montalembert Chandelier is machined from solid brass. All parts are hand polished and patina'd. The lead crystal shades are carved and polished by hand.

FINISHES

Shown in Oil Rubbed and Lite Antique Bronze (standard). Please inquire about our other finishes. Note: All finishes may vary slightly.

SHADE

Lead Crystal.

MODEL #

1 6 5 7

DIMENSIONS

36 Diameter x 60 OAH*

NET WT.

25 lbs

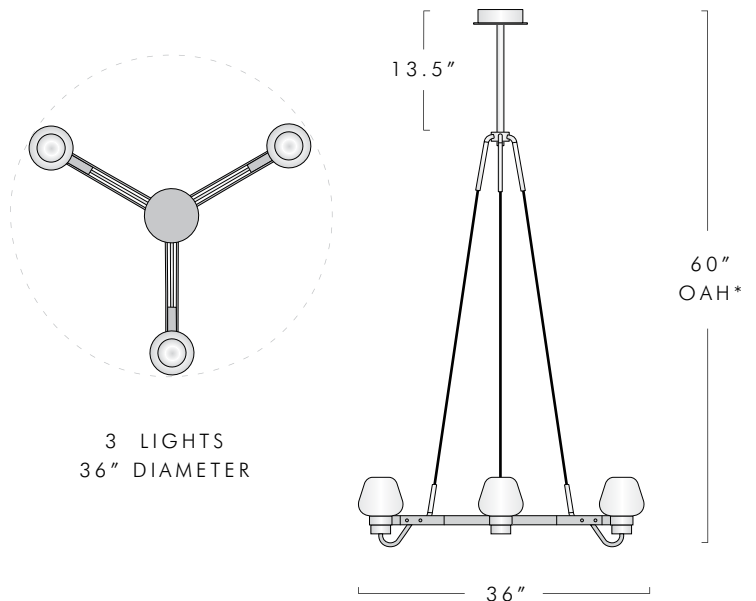
CEILING PLATE

6" Diameter

ELECTRICAL

3 x E12 25w - 180w max - LED Available

*Custom drop lengths can be specified.



3 LIGHTS
36" DIAMETER





All Lighting Design and Design Elements are ©2017 by Jonathan Browning Studios, Inc.

MONTALEMBERT 4 LIGHT PENDANT

DESCRIPTION

The Montalembert 4 Light Pendant is machined from solid brass. All parts are hand polished and patina'd. The lead crystal shades are carved and polished by hand.

FINISHES

Shown in Oil Rubbed and Lite Antique Bronze (standard). Please inquire about our other finishes. Note: All finishes may vary slightly.

SHADE

Lead Crystal.

MODEL #

1 7 6 7

DIMENSIONS

17.25 Diam x 60 OAH*

NET WT.

30 lbs

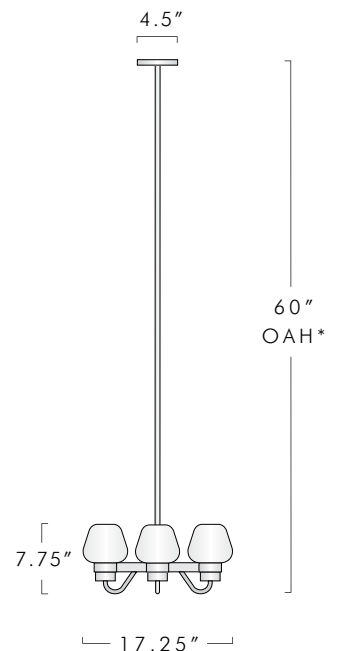
CEILING PLATE

4.5" Diameter

ELECTRICAL

4 x E12 25w - 240w max - LED Available

*Custom drop lengths can be specified.







All Lighting Design and Design Elements are ©2016 by Jonathan Browning Studios, Inc.

MONTALEMBERT LINEAR CHANDELIER

DESCRIPTION

The Montalembert Linear Chandelier is machined from solid brass. All parts are hand polished and patina'd. The lead crystal shades are carved and polished by hand.

FINISHES

Shown in Oil Rubbed and Lite Antique Bronze (standard). Please inquire about our other finishes. Note: All finishes may vary slightly.

SHADE

Lead Crystal.

MODEL

1 6 5 9

DIMENSIONS

60L x 16.75 W x 60 OAH*

NET WT.

98 lbs

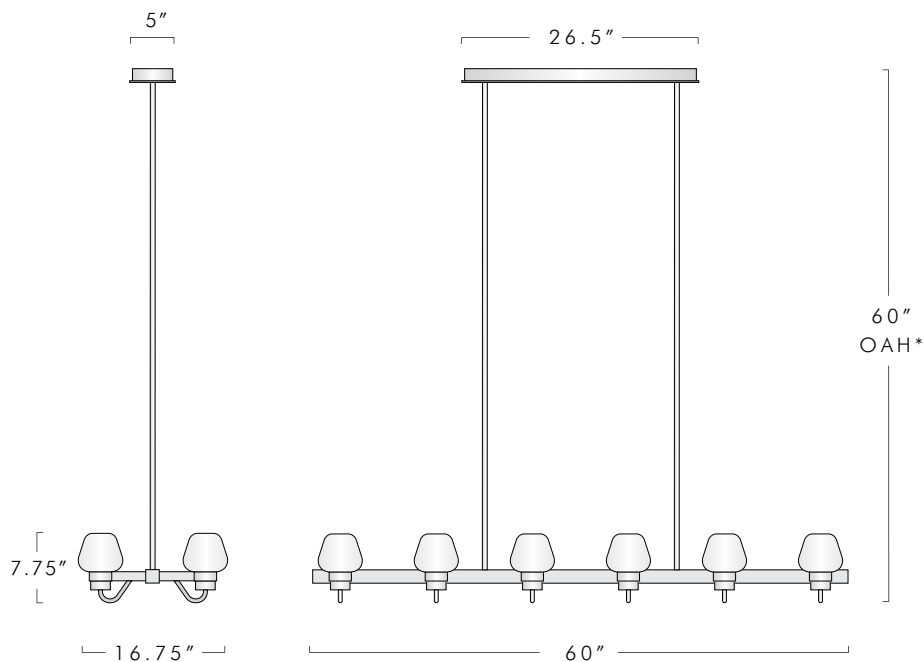
CEILING PLATE

26.5 L x 5 D - Some additional blocking will be required.

ELECTRICAL

12 x E12 25w - 480w max - LED Available

*Custom drop lengths can be specified.







All Lighting Design and Design Elements are ©2015 by Jonathan Browning Studios, Inc.

MONTFAUCON CHANDELIER

DESCRIPTION

The Montfaucou Chandelier is machined from solid brass. The shades are handmade of white porcelain. Shades are unglazed, making them translucent.

FINISHES

Shown in Oil Rubbed Bronze (standard). Please inquire about our other finishes. Note: All finishes may vary slightly.

SHADE

Unglazed Porcelain. Due to the hand-made nature of these porcelain shades, the thickness, height and texture will vary slightly.

MODEL

1 5 6 0

DIMENSIONS

48 Diam x 60 OAH*

NET WT.

21 lbs

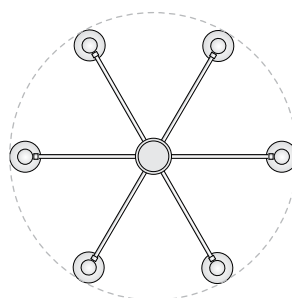
CEILING PLATE

6" Diameter

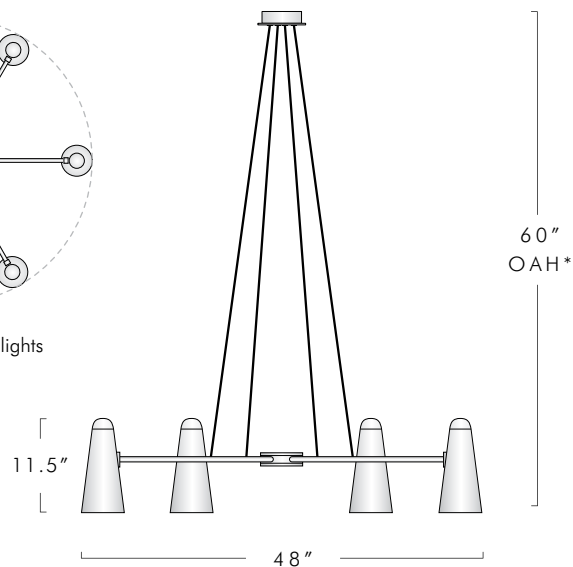
ELECTRICAL

6 x 8w LED Bulb Only - (75w incandescent equivalent)
Total 48w - (450w equivalent), Warm White, Dimmable

*Custom drop lengths can be specified.



48" Diameter - 6 lights







All Lighting Design and Design Elements are ©2016 by Jonathan Browning Studios, Inc.

MONTFAUCON 3 LIGHT PENDANT

DESCRIPTION

The Montfaucou 3 Light Pendant is machined by hand from solid brass. All parts are hand polished and patina'd. The hand made shades are unglazed porcelain.

FINISHES

Shown in Oil Rubbed Bronze and Black Bronze (standard). Please inquire about our other finishes. Note: All finishes may vary slightly.

SHADE

Unglazed Porcelain. Due to the hand-made nature of these porcelain shades, the thickness, height and texture will vary slightly.

MODEL

1 6 6 0

DIMENSIONS

21 Diam x 60 OAH*

NET WT.

12 lbs

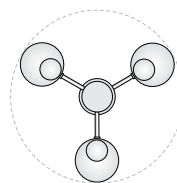
CEILING PLATE

4.5" Diameter

ELECTRICAL

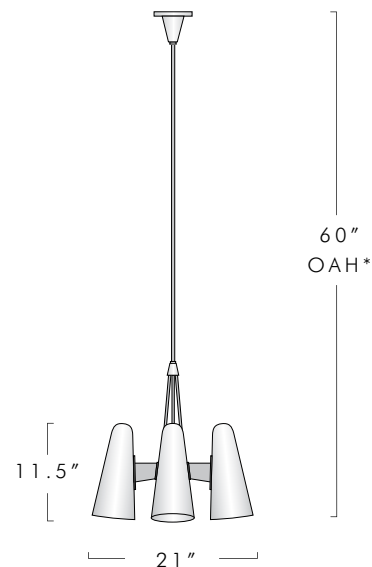
3 x 8w LED Bulb Only - (75w incandescent equivalent)
Total 24w - (225w equivalent), Warm White, Dimmable

*Custom drop lengths can be specified.



21" Diameter - 3 lights

11.5" Unglazed
Porcelain Shades







MONTFAUCON PENDANT

DESCRIPTION

The Montfaucou Pendant is machined by hand from solid brass. All parts are hand polished and patina'd. The unglazed porcelain shade is made by hand.

FINISHES

Shown in Oil Rubbed Bronze (standard). Please inquire about our other finishes. Note: All finishes may vary slightly.

SHADE

Unglazed Porcelain. Due to the hand-made nature of these porcelain shades, the thickness, height and texture will vary slightly.

MODEL #	DIMENSIONS	NET WT.
1 6 6 4	5.25 Diam x 60 OAH*	3 lbs

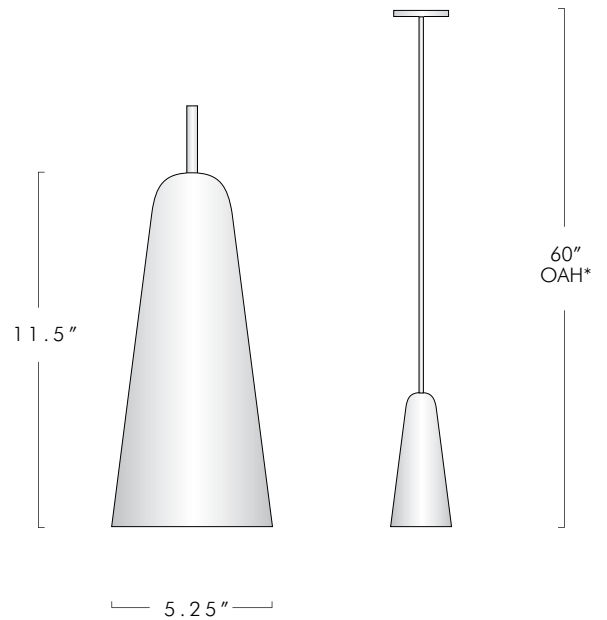
CEILING PLATE

4.5" Diameter

ELECTRICAL

1 x 8w LED Bulb Only - (75w incandescent equivalent)
Warm White, Dimmable

*Custom drop lengths can be specified.







All Lighting Design and Design Elements are ©2019 by Jonathan Browning Studios, Inc.

PASTIS LINEAR CHANDELIER

DESCRIPTION

The Pastis Linear Chandelier is machined from solid brass. All parts are hand polished and patina'd. The reeded borosilicate glass shades are notched to delicately rest on each brass arm.

FINISHES

Shown in Oil Rubbed Bronze (standard). Please inquire about our other finishes. Note: All finishes may vary slightly.

SHADE

Reeded Borosilicate Glass.

MODEL #	DIMENSIONS	NET WT.
2 2 0 6	60" W x 11" D x 60" OAH*	75 lbs

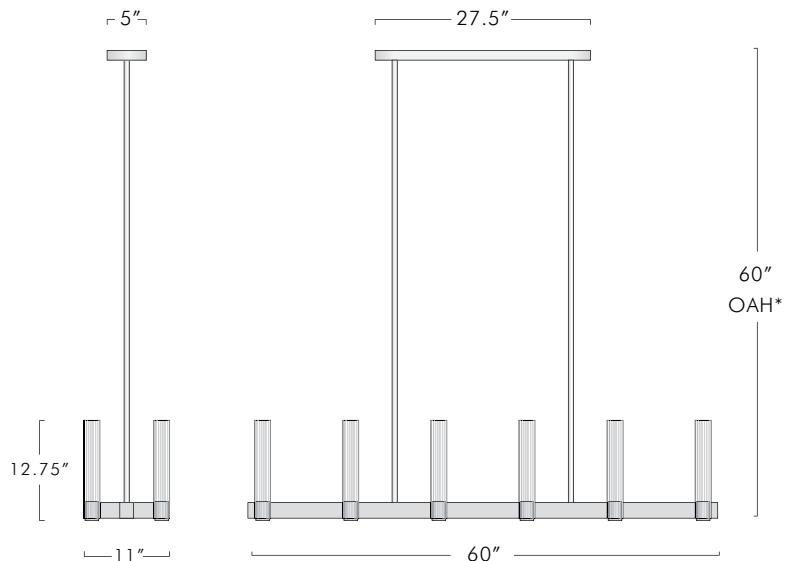
CEILING PLATE/J-BOX

27.5" x 5" / J-Box on center - Additional blocking may be required.

ELECTRICAL

12 x E26 40W - 480W Max - LED Available

*Custom drop lengths can be specified.







PASTIS 4 LIGHT PENDANT

DESCRIPTION

The Pastis 4 Light Pendant is machined from solid brass. All parts are hand polished and patina'd. The reeded borosilicate glass shades are notched to delicately rest on each brass arm.

FINISHES

Shown in Oil Rubbed Bronze (standard). Please inquire about our other finishes. Note: All finishes may vary slightly.

SHADE

Reeded Borosilicate Glass.

MODEL #	DIMENSIONS	NET WT.
2 2 0 7	9.5" Diam x 60" OAH*	22 lbs

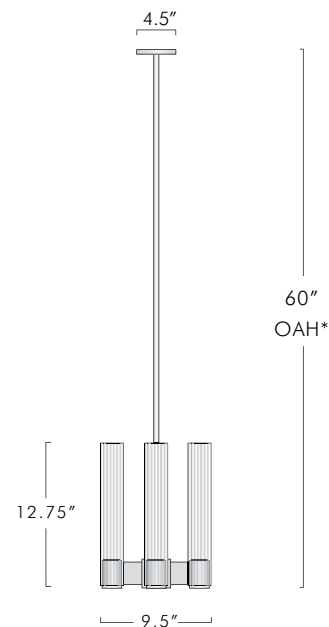
CEILING PLATE/J-BOX

4.5" Diameter.

ELECTRICAL

4 x E26 40w T8 - 160w max
4 x E26 3.5w T8 LED filament bulb available

*Custom drop lengths can be specified.







PASTIS CIRCULAR CHANDELIER

DESCRIPTION

The Pastis Circular Chandelier is machined from solid brass. All parts are hand polished and patina'd. The reeded borosilicate glass shades are notched to delicately rest on each brass arm.

FINISHES

Shown in Oil Rubbed Bronze (standard). Please inquire about our other finishes. Note: All finishes may vary slightly.

SHADE

Reeded Borosilicate Glass

MODEL #	DIMENSIONS	NET WT.
2 2 2 8	48 Diameter x 60 OAH*	38 lbs

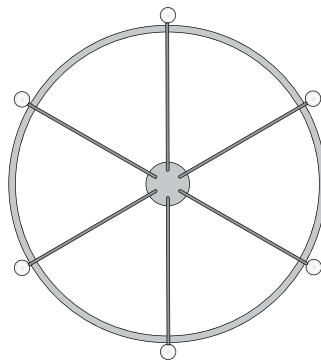
CEILING PLATE

6" Diameter

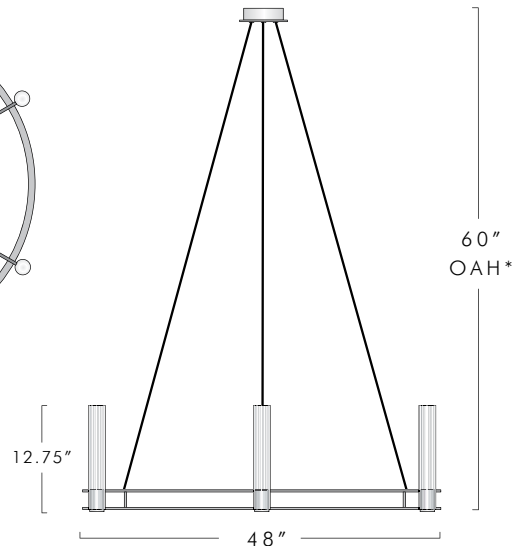
ELECTRICAL

6 x E26 40w T8 - 240w max
6 x E26 3.5w T8 LED filament bulb available

*Custom drop lengths can be specified.



48" Diameter - 6 lights







All Lighting Design and Design Elements are ©2018 by Jonathan Browning Studios, Inc.

PLATIERE CIRCULAR CHANDELIER

DESCRIPTION

The Platiere Circular Chandelier is machined from solid brass. All parts are polished and patina'd. The shades are handmade of white frosted soda-lime glass.

FINISHES

Shown in Oil Rubbed Bronze (standard). Please inquire about our other finishes. Note: All finishes may vary slightly.

SHADE

White frosted soda-lime glass.

MODEL

1 7 2 3

DIMENSIONS

60 DIA x 60 OAH*

NET WT.

50 lbs

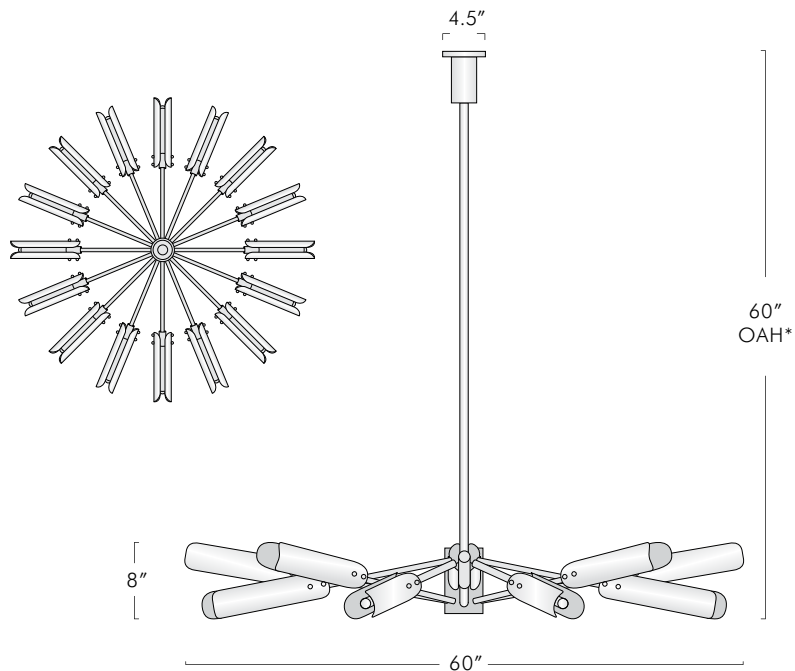
CEILING PLATE / J-BOX

4.5" Diameter - Additional blocking may be required.

ELECTRICAL

16 x E26 40W - 640W Max - LED Available

*Custom drop lengths can be specified.







All Lighting Design and Design Elements are ©2018 by Jonathan Browning Studios, Inc.

PLATIERE LINEAR CHANDELIER

DESCRIPTION

The Platiere Linear Chandelier is machined from solid brass. All parts are polished and patina'd. The shades are handmade of white frosted soda-lime glass.

FINISHES

Shown in Oil Rubbed Bronze (standard). Please inquire about our other finishes. Note: All finishes may vary slightly.

SHADE

White frosted soda-lime glass.

MODEL

1 7 2 2

DIMENSIONS

60 W x 12.25 D x 60 OAH*

NET WT.

85 lbs

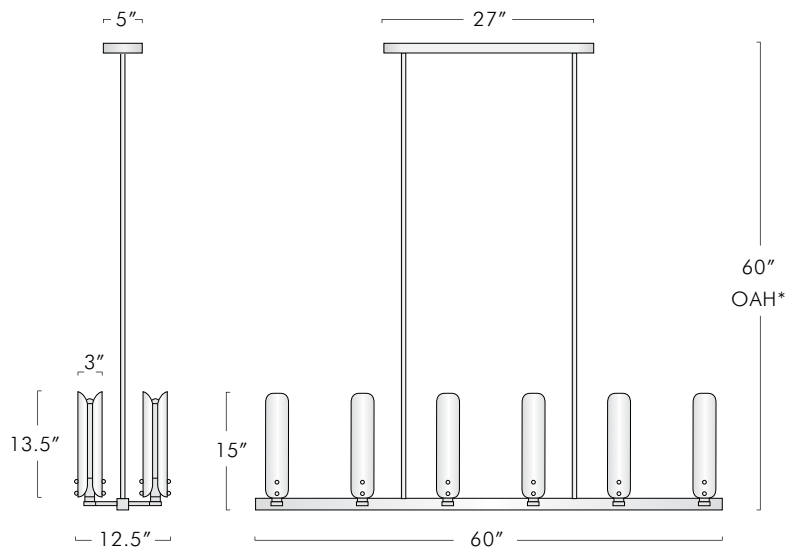
CEILING PLATE/J-BOX

27" x 5" / J-Box on center - Additional blocking may be required.

ELECTRICAL

16 x E26 40W - 640W Max - LED Available

*Custom drop lengths can be specified.







RAMEAU 10 LIGHT CIRCULAR CHANDELIER

DESCRIPTION

The Rameau 10 Light Circular Chandelier is made up of ten brass pendants, each consisting of four lights. All parts are hand polished and patina'd. The ceiling plate is made in stainless steel.

FINISHES

Shown in Oil Rubbed Bronze - ceiling plate Dark Steel (standard). Please inquire about our other finishes. Note: All finishes may vary slightly.

MODEL #	DIMENSIONS	NET WT.
1 8 0 4	24 DIA x 72 OAH*	70 lbs

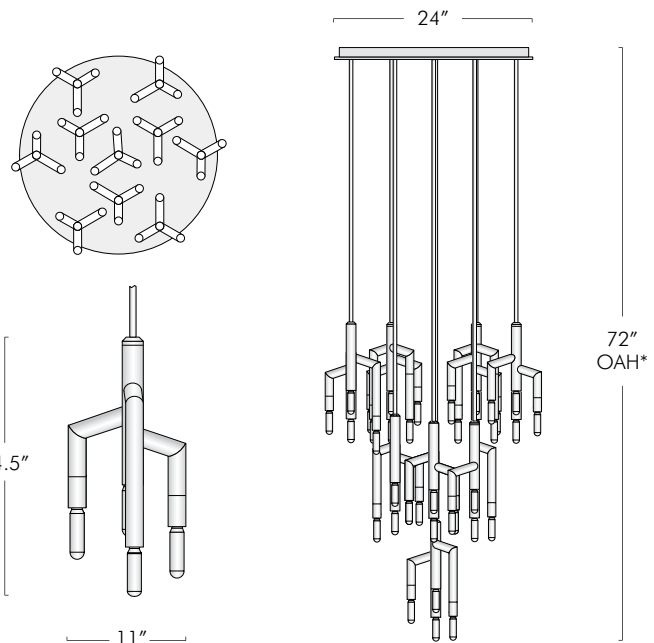
CEILING PLATE/J-BOX

24" Diameter / J-Box on center - Additional blocking may be required.

ELECTRICAL

40 x E12 2W LED - 600W Max - LED Standard

*Custom drop lengths can be specified.







RAMEAU CIRCULAR CHANDELIER

DESCRIPTION

The Rameau Circular Chandelier is made from heavy walled brass tubing. The ceiling plate is machined from solid brass. All parts are hand polished and patina'd.

FINISHES

Shown in Oil Rubbed Bronze (standard). Please inquire about our other finishes. Note: All finishes may vary slightly.

SHADE

Brass.

MODEL

1 8 3 9

DIMENSIONS

60" Diameter x 60 OAH*

NET WT.

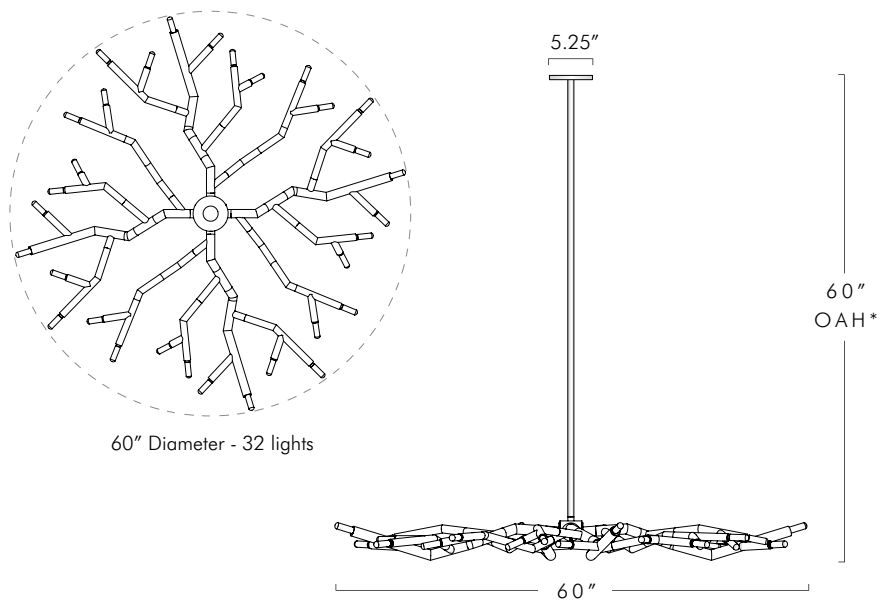
40 lbs

CEILING PLATE

5.25" Diameter - Additional blocking may be required.

ELECTRICAL

32 x E12 2W LED - 480W Max - LED Standard







All Lighting Design and Design Elements are ©2018 by Jonathan Browning Studios, Inc.

RAMEAU LINEAR CHANDELIER

DESCRIPTION

The Rameau Linear Chandelier is made up of twelve brass pendants, each consisting of four lights. All parts are hand polished and patina'd. The ceiling plate is made in stainless steel.

FINISHES

Shown in Oil Rubbed Bronze - ceiling plate Black Bronze (standard). Please inquire about our other finishes. Note: All finishes may vary slightly.

MODEL #	DIMENSIONS	NET WT.
1 8 0 5	60 W x 15.5 D x 60 OAH*	75 lbs

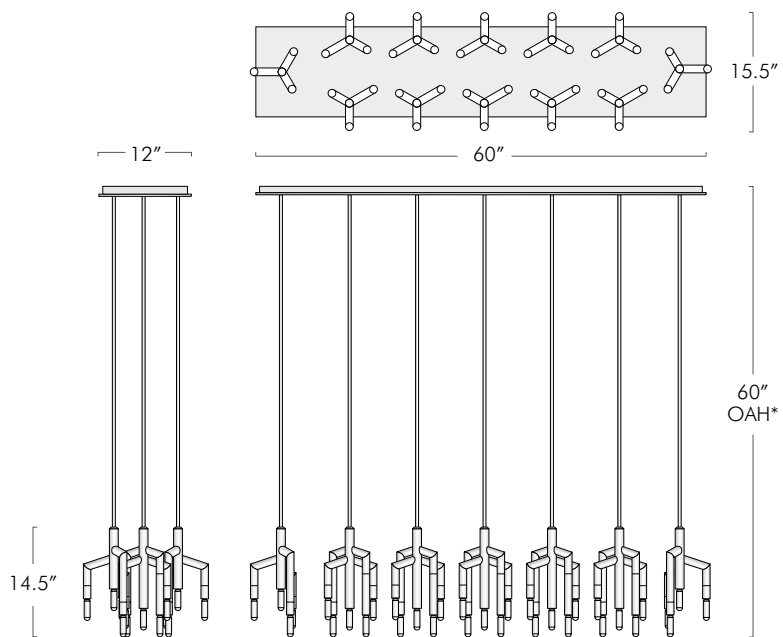
CEILING PLATE/J-BOX

60"W x 12"D / J-Box on center - Additional blocking or anchoring may be required.

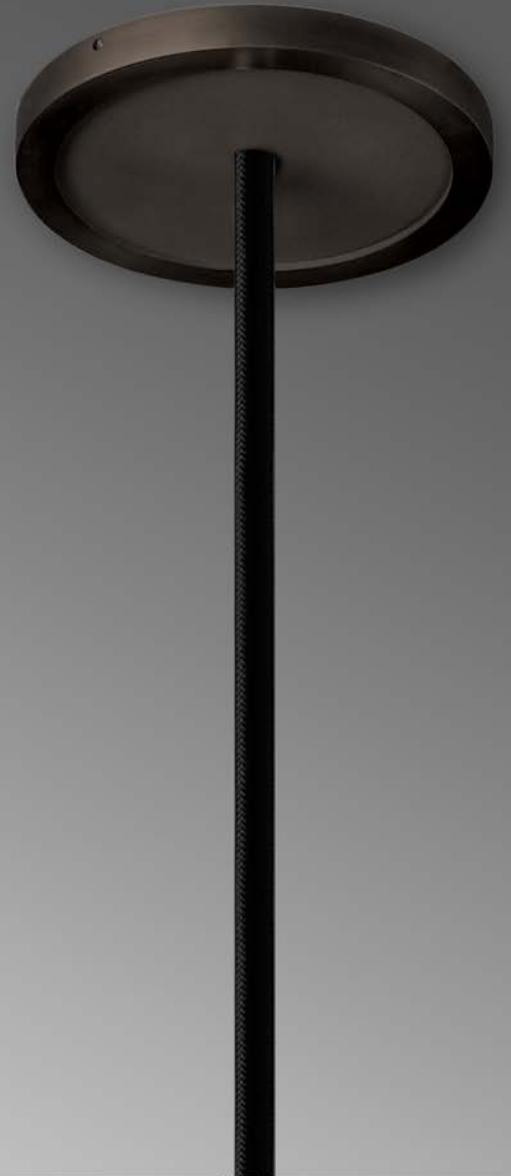
ELECTRICAL

48 x E12 2W LED - 720W Max - LED Standard

*Custom drop lengths can be specified.







RAMEAU PENDANT

DESCRIPTION

The Rameau Pendant is machined from solid brass. All parts are hand polished and patina'd.

FINISHES

Shown in Oil Rubbed Bronze (standard). Please inquire about our other finishes. Note: All finishes may vary slightly.

MODEL #	DIMENSIONS	NET WT.
1768	6.75W x 5D x 60OAH*	4.5 lbs

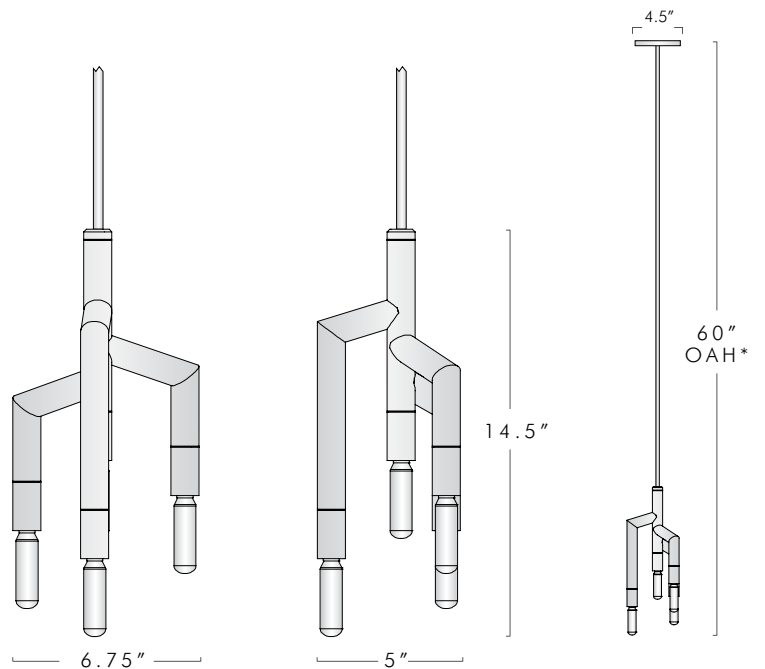
CEILING PLATE

4.5" Diameter

ELECTRICAL

4 x E12 4W LED - 160W Max - LED Standard

*Custom drop lengths can be specified







TRUMILLY AMPHORA PENDANT

DESCRIPTION

The Trumilly Amphora Pendant is machined by hand from solid brass. All parts are hand polished and patina'd. The frosted Amphora blown glass is secured by machined brass parts.

FINISHES

Shown in Oil Rubbed Bronze (standard). Please inquire about our other finishes. Note: All finishes may vary slightly.

SHADE

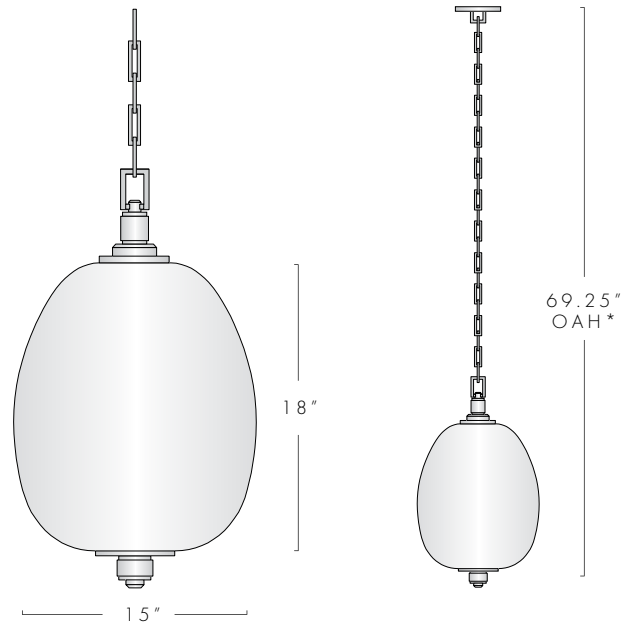
Frosted Blown Glass - Amphora.

MODEL #	DIMENSIONS	NET WT.
2 1 4 8	15 DIA x 69.25 OAH*	28 lbs

CEILING PLATE / J-BOX
5.25" Diameter

ELECTRICAL
1 x E26 5W LED Bulb Only

*Custom drop lengths can be specified.







All Lighting Design and Design Elements are ©2022 by Jonathan Browning Studios, Inc.

TRUMILLY CLOCHE PENDANT

DESCRIPTION

The Trumilly Cloche Pendant is machined by hand from solid brass. All parts are hand polished and patina'd. The frosted Cloche blown glass is secured by machined brass parts.

FINISHES

Shown in Oil Rubbed Bronze (standard). Please inquire about our other finishes. Note: All finishes may vary slightly.

SHADE

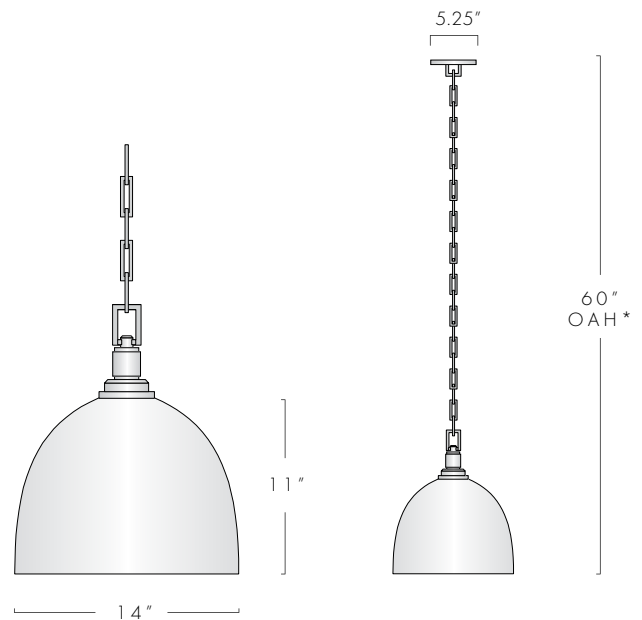
Frosted Blown Glass - Cloche.

MODEL #	DIMENSIONS	NET WT.
2 2 0 9	14 DIA x 60 OAH*	20 lbs

CEILING PLATE / J-BOX
5.25" Diameter

ELECTRICAL
1 x E26 7W LED Bulb Only

*Custom drop lengths can be specified.







TRUMILLY CYLINDER PENDANT

DESCRIPTION

The Trumilly Cylinder Pendant is machined by hand from solid brass. All parts are hand polished and patina'd. The frosted Cylinder blown glasses are secured by machined brass parts.

FINISHES

Shown in Oil Rubbed Bronze (standard). Please inquire about our other finishes. Note: All finishes may vary slightly.

SHADE

Frosted Blown Glass - Cylinder.

MODEL #	DIMENSIONS	NET WT.
2 1 5 0	5.25 DIA x 60 OAH*	15 lbs

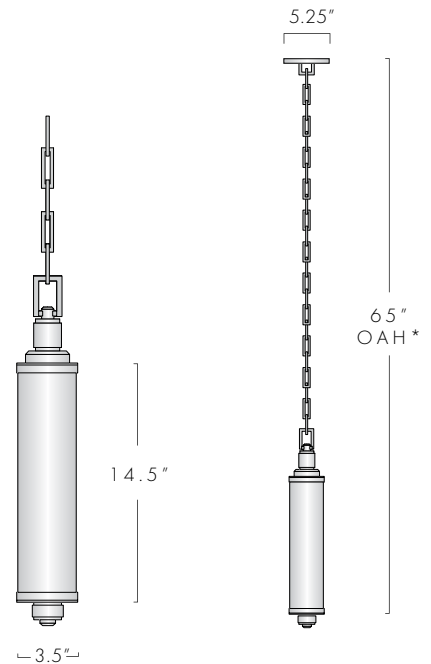
CEILING PLATE / J-BOX

5.25" Diameter

ELECTRICAL

1 x E26 5W LED Bulb Only

*Custom drop lengths can be specified.







VALETTE CIRCULAR CHANDELIER

DESCRIPTION

The Valette Circular Chandelier is machined by hand from solid brass. The shade is hand-blown and precision-cut to acquire the unique shape. All parts are hand polished and patina'd.

FINISHES

Shown in Oil Rubbed Bronze (standard). Please inquire about our other finishes. Note: All finishes may vary slightly.

SHADE

Clear Glass.

MODEL

2 2 2 7

DIMENSIONS

48 DIA x 60 OAH*

NET WT.

35 lbs

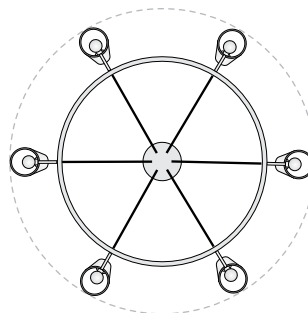
CEILING PLATE / J-BOX

6" Diameter / J-Box on center

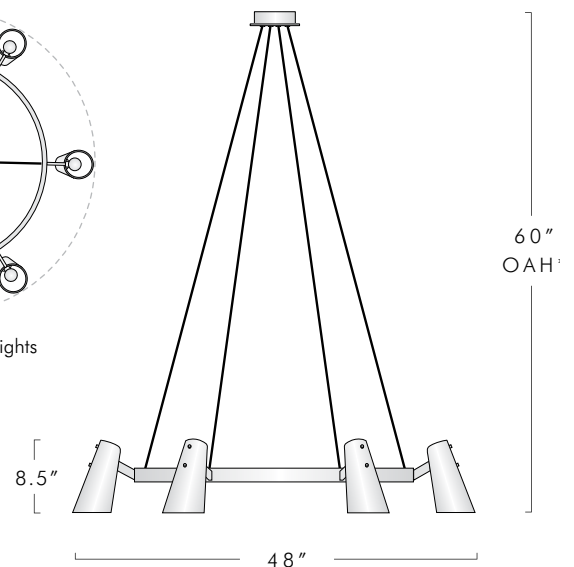
ELECTRICAL

6 x E12 4W LED bulb

*Custom drop lengths can be specified.



48" Diameter - 6 lights







All Lighting Design and Design Elements are ©2022 by Jonathan Browning Studios, Inc.

VALETTE LINEAR CHANDELIER

DESCRIPTION

The Valette Linear Chandelier is machined by hand from solid brass. The shade is hand-blown and precision-cut to acquire the unique shape. All parts are hand polished and patina'd.

FINISHES

Shown in Oil Rubbed Bronze (standard). Please inquire about our other finishes. Note: All finishes may vary slightly.

SHADE

Clear Glass.

MODEL

2 2 2 2

DIMENSIONS

60 W x 16D x 60 OAH*

NET WT.

52 lbs

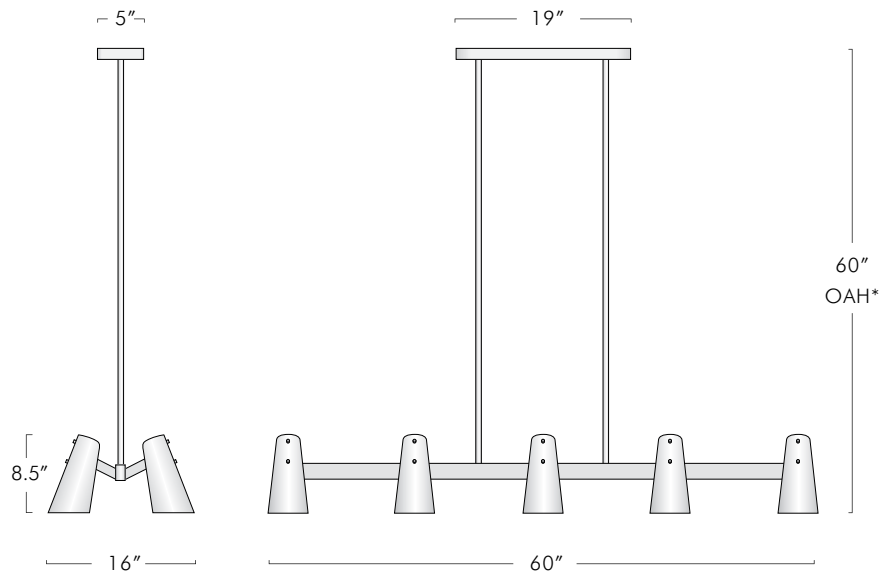
CEILING PLATE / J-BOX

19" W x 5" D / J-Box on center - Additional blocking or anchoring may be required.

ELECTRICAL

10 x E12 4W LED bulb

*Custom drop lengths can be specified.







VALETTE PENDANT

DESCRIPTION

The Valette Pendant is machined by hand from solid brass. The shade is hand-blown and precision-cut to acquire the unique shape. All parts are hand polished and patina'd.

FINISHES

Shown in Oil Rubbed Bronze (standard). Please inquire about our other finishes. Note: All finishes may vary slightly.

SHADE

Clear Glass.

MODEL

2 2 2 1

DIMENSIONS

20 DIA x 60 OAH*

NET WT.

22 lbs

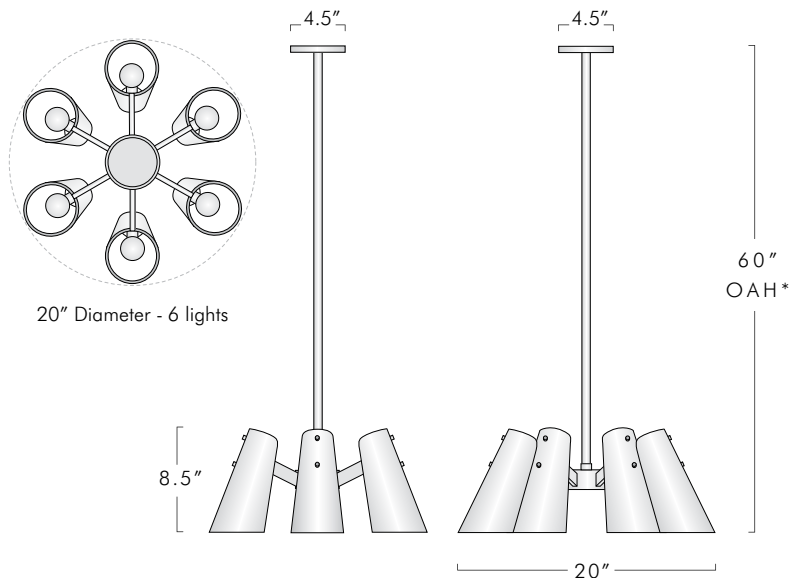
CEILING PLATE / J-BOX

4.5" Diameter / J-Box on center

ELECTRICAL

6 x E12 4W LED bulb

*Custom drop lengths can be specified.







VICHY LINEAR CHANDELIER

DESCRIPTION

The Vichy Linear Chandelier consists of fourteen triangular pyramidal shades. Each shade is made by hand of thick walled brass. The body and top plate are machined by hand. All parts are hand polished and patina'd. The exterior of each shade is finished in black bronze and the interior shade is Lite Antique.

FINISHES

Shown in Black Bronze and Lite Antique (standard). Please inquire about our other finishes. Note: All finishes may vary slightly.

SHADE

Brass.

MODEL #	DIMENSIONS	NET WT.
1 7 6 1	60 W x 15.5 D x 60 OAH*	70 lbs

CEILING PLATE

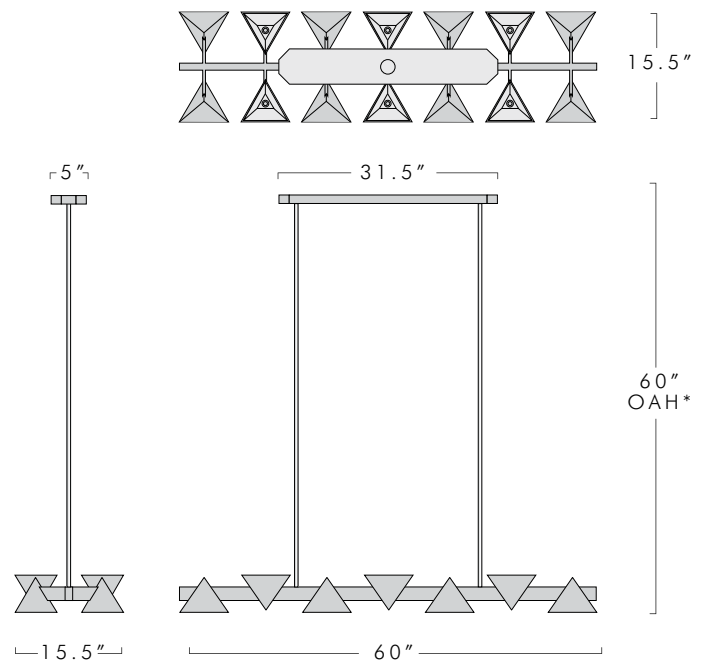
5" x 31.5" - Additional blocking will be required.

ELECTRICAL

14 x G9 40w - 560w max - LED available

*Custom drop lengths can be specified.

DIMMABLE
2700K







VICHY PENDANT

DESCRIPTION

The Vichy Pendant consists of a triangular pyramidal shade, made by hand of thick walled brass. All parts are hand polished and patina'd. The exterior is finished in Black Bronze and the interior is Lite Antique Bronze.

FINISHES

Shown in Black Bronze and Lite Antique (standard). Please inquire about our other finishes. Note: All finishes may vary slightly.

SHADE

Brass.

MODEL

1762

DIMENSIONS

7 W x 6 D x 60 OAH*

NET WT.

5 lbs

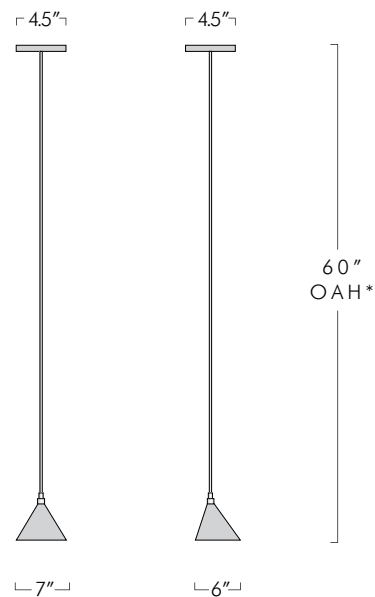
CEILING PLATE

4.5" Diameter

ELECTRICAL

1 x G9 40w - 40w Max. LED Available

*Custom drop lengths can be specified.



DIMMABLE
2700K





VOLTAIRE CIRCULAR CHANDELIER

DESCRIPTION

The Voltaire Circular Chandelier is made from heavy-walled brass tubing. All parts are hand polished and patina'd. The handmade shades are crafted from unglazed white porcelain, which emits a warm glow when lit from within.

FINISHES

Shown in Oil Rubbed Bronze (standard). Please inquire about our other finishes. Note: All finishes may vary slightly.

SHADE

Unglazed Porcelain

MODEL

2 4 0 4

DIMENSIONS

48DIA x 60OAH

NET WT.

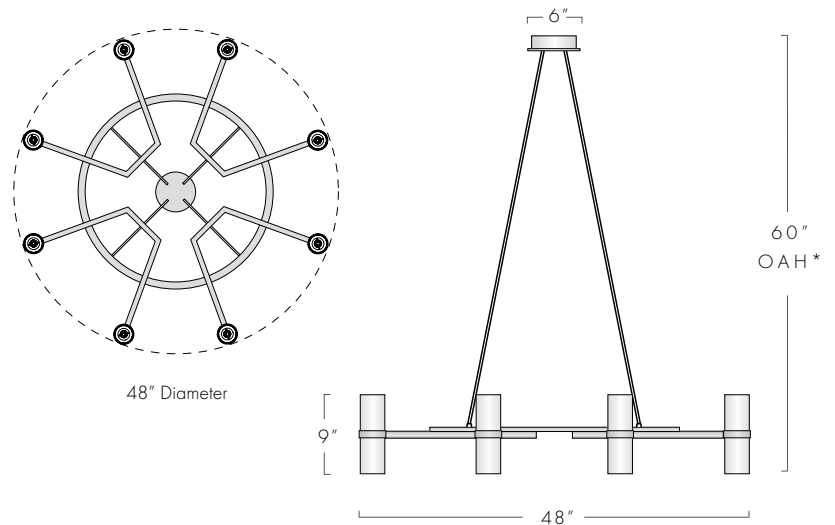
40 lbs

CEILING PLATE / J-BOX

6" Diameter

ELECTRICAL

16 x E12 T6 6W LED bulb only







VOLTAIRE MOBILE CHANDELIER

DESCRIPTION

The Voltaire Mobile Chandelier is made from heavy-walled brass tubing. All parts are hand polished and patina'd. The handmade shades are crafted from unglazed white porcelain, which emits a warm glow when lit from within.

FINISHES

Shown in Oil Rubbed Bronze (standard). Please inquire about our other finishes. Note: All finishes may vary slightly.

SHADE

Unglazed Porcelain

MODEL

2 4 0 5

DIMENSIONS

55.25DIA x 60OAH

NET WT.

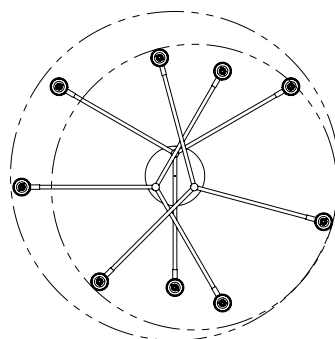
45 lbs

CEILING PLATE / J-BOX

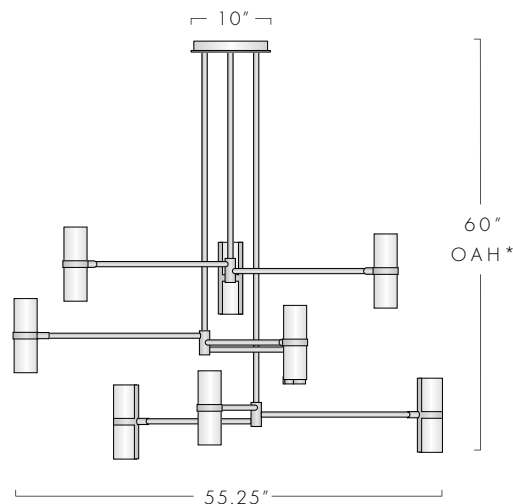
10" Diameter

ELECTRICAL

18 x E12 T6 6W LED bulb only



55.25" Diameter







All Lighting Design and Design Elements © 2022 by Jonathan Browning Studios, Inc.

ANTHÉRON FLUSH MOUNT

DESCRIPTION

The Anthéron Flush Mount is machined from solid brass. The thick textured glass is made via casting and shows its density and strengths. All parts are hand polished and patina'd.

FINISHES

Shown in Oil Rubbed Bronze (standard). Please inquire about our other finishes. Note: All finishes may vary slightly.

SHADE

Textured Cast Glass.

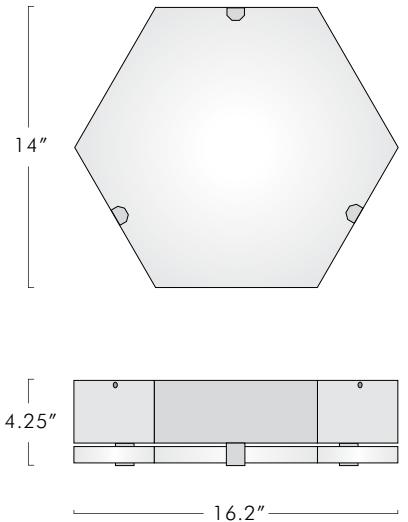
MODEL #	DIMENSIONS	NET WT.
2 1 3 6	16.2 W x 14 D x 4.25 H	32 lbs

CEILING PLATE

16.2" W x 14" D

ELECTRICAL

3 x E12 4W LED Bulb Only







All Lighting Design and Design Elements are ©2022 by Jonathan Browning Studios, Inc.

ALENÇON FLUSH MOUNT

DESCRIPTION

The Alençon Flush Mount is machined from solid brass. All parts are hand polished and patina'd. The reeded square glass shade is wrapped around in the center by a thick brass band.

FINISHES

Shown in Oil Rubbed Bronze (standard). Please inquire about our other finishes. Note: All finishes may vary slightly.

SHADE

Reeded Glass.

MODEL

2 1 0 7

DIMENSIONS

14 W x 14 D x 5.5 H

NET WT.

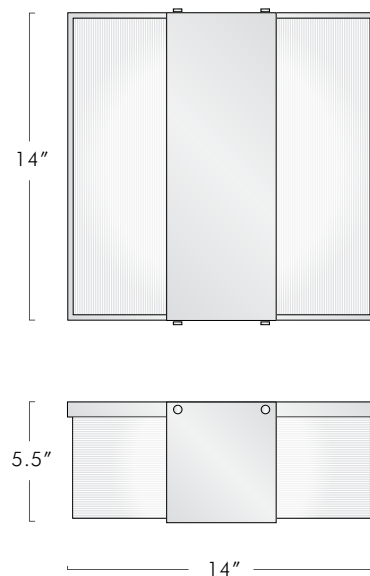
28 lbs

CEILING PLATE

14" W x 14" D

ELECTRICAL

2 x E26 5W LED Bulb Only







All Lighting Design and Design Elements are ©2022 by Jonathan Browning Studios, Inc.

CARON FLUSH MOUNT

DESCRIPTION

The Caron Flush Mount is machined from solid brass. The opalescent shade is hand-blown. All parts are hand polished and patina'd.

FINISHES

Shown in Oil Rubbed Bronze (standard). Please inquire about our other finishes. Note: All finishes may vary slightly.

SHADE

Opalescent Glass.

MODEL

2 1 1 6

DIMENSIONS

14 DIA x 7.25 H

NET WT.

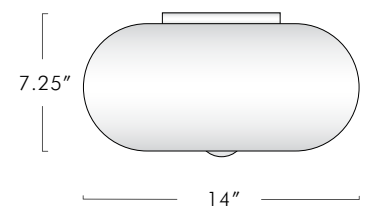
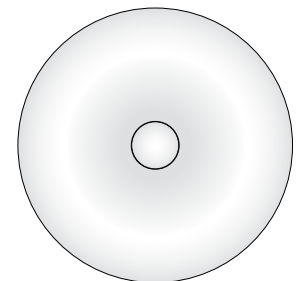
14 lbs

CEILING PLATE

6" Diameter

ELECTRICAL

1 x E26 4.5W LED Bulb Only







CHAMONT FLUSH MOUNT

DESCRIPTION

The Chamont Flush Mount is machined by hand from solid brass. The shade is made of borosilicate glass which is carved by hand on a diamond wheel. All parts are hand polished and patina'd.

FINISHES

Shown in Oil Rubbed Bronze (standard). Please inquire about our other finishes. Note: All finishes may vary slightly.

SHADE

Borosilicate Glass.

MODEL

2 1 0 4

DIMENSIONS

14.25 DIA x 4 H

NET WT.

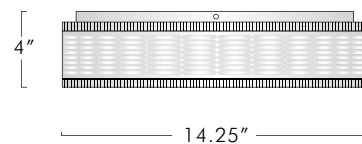
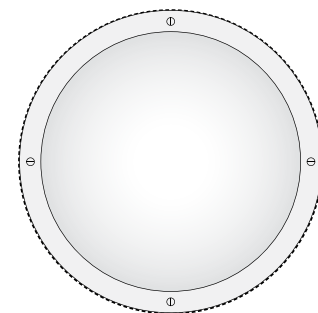
18.5 lbs

CEILING PLATE

12.125" Diameter

ELECTRICAL

3 x E12 4W LED Bulbs Only







CHARTIER FLUSH MOUNT

DESCRIPTION

The Chartier Flush Mount is machined from solid brass. All parts are hand polished and patina'd. The lead crystal is machined and polished by hand.

FINISHES

Shown in Oil Rubbed Bronze (standard). Please inquire about our other finishes. Note: All finishes may vary slightly.

SHADE

Lead Crystal.

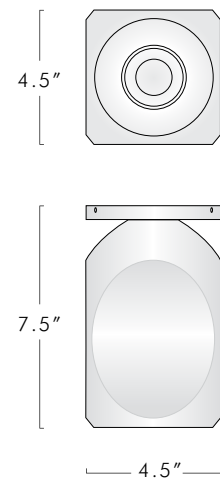
MODEL #	DIMENSIONS	NET WT.
2 1 0 9	4.5 W x 4.5 D x 7.5 H	13 lbs

CEILING PLATE

4.5" Diameter

ELECTRICAL

1 x E26 5.5W LED Bulb Only







All Lighting Design and Design Elements are ©2022 by Jonathan Browning Studios, Inc.

DUVERNOIS FLUSH MOUNT

DESCRIPTION

The Duvernois Flush Mount is made from solid brass. All parts are hand polished and patina'd. The frosted glass shade is surrounded by a column of brass fins.

FINISHES

Shown in Oil Rubbed Bronze (standard). Please inquire about our other finishes. Note: All finishes may vary slightly.

SHADE

Frosted Glass.

MODEL

2 1 0 8

DIMENSIONS

14 DIA x 5 H

NET WT.

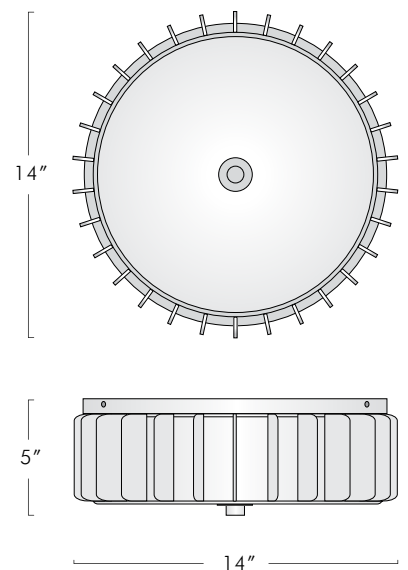
25 lbs

CEILING PLATE

13" Diameter

ELECTRICAL

3 x E12 4W LED Bulbs Only







All Lighting Design and Design Elements are ©2018 by Jonathan Browning Studios, Inc.

GLAÇON SINGLE LIGHT

DESCRIPTION

The Glaçon Single Light is machined from solid brass. All parts are hand polished and patina'd. The lead crystal is hand carved and surrounds a mirrored bulb. This can be used as a sconce or a ceiling flush mount.

FINISHES

Shown in Oil Rubbed Bronze (standard). Please inquire about our other finishes. Note: All finishes may vary slightly.

SHADE

Lead Crystal.

MODEL

1 8 2 6

DIMENSIONS

5.5 W x 4.15 D x 5.5 H

NET WT.

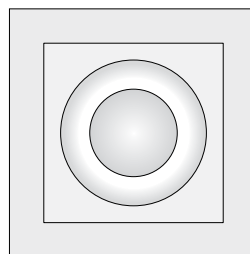
5 lbs

BACK PLATE / J-BOX

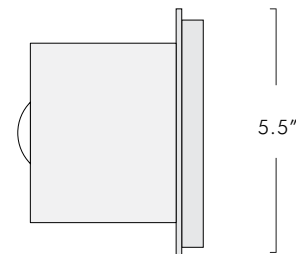
5.5"W x 5.5"H / Top to J-Box center: 2.75"

ELECTRICAL

1 x E12 40W - 60 W Max - LED Available



5.5"



5.5"

4.15"







All Lighting Design and Design Elements are ©2018 by Jonathan Browning Studios, Inc.

GLAÇON 4 LIGHT

DESCRIPTION

The Glaçon 4 Light is machined from solid brass. All parts are hand polished and patina'd. Each lead crystal is hand carved surrounding four mirrored bulbs. This can be mounted on the ceiling or wall.

FINISHES

Shown in Oil Rubbed Bronze (standard). Please inquire about our other finishes. Note: All finishes may vary slightly.

SHADE

Lead Crystal.

MODEL

1 8 2 3

DIMENSIONS

11 W x 4.15 D x 11 H

NET WT.

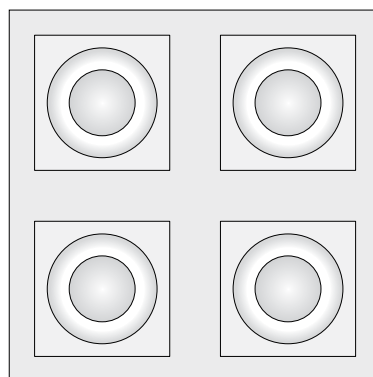
20 lbs

BACK PLATE / J-BOX

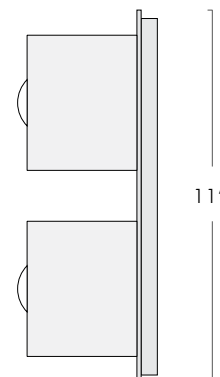
11"W x 11"H / Top to J-Box center: 5.5"

ELECTRICAL

4 x E12 40W - 240W Max - LED Available



11"



4.15"







All Lighting Design and Design Elements are ©2018 by Jonathan Browning Studios, Inc.

GLAÇON 9 LIGHT FLUSH MOUNT

DESCRIPTION

The Glaçon 9 Light Flush Mount is machined from solid brass. All parts are hand polished and patina'd. Each piece of lead crystal is hand carved to surround the pattern of mirrored bulbs. This can be mounted on the ceiling or wall.

FINISHES

Shown in Oil Rubbed Bronze (standard). Please inquire about our other finishes. Note: All finishes may vary slightly.

SHADE

Lead Crystal.

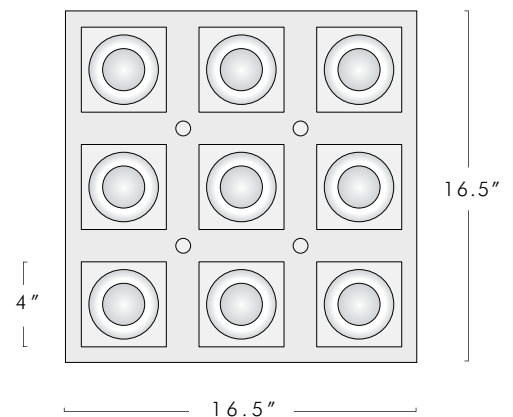
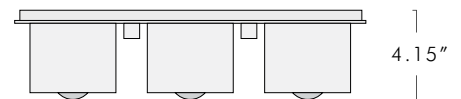
MODEL #	DIMENSIONS	NET WT.
1773	16.5W x 16.5D x 4.15H	42 lbs

CEILING PLATE

16.5" x 16.5" - Top to J-Box Center: 8.25
Additional blocking or anchoring may be required.

ELECTRICAL

9 x E12 25W - 540W Max - LED Available







All Lighting Design and Design Elements are ©2022 by Jonathan Browning Studios, Inc.

LEMONNIER FLUSH MOUNT

DESCRIPTION

The Lemonnier Flush Mount is made by hand from thick-walled brass. The thick textured cast glass pieces are arranged in the brass frame to form a circle which creates a stunning warm light effect. All parts are hand polished and patina'd.

FINISHES

Shown in Oil Rubbed Bronze (standard). Please inquire about our other finishes. Note: All finishes may vary slightly.

SHADE

Textured Cast Glass.

MODEL

2 1 2 0

DIMENSIONS

14.5 DIA x 4.375 H

NET WT.

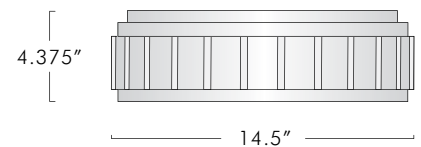
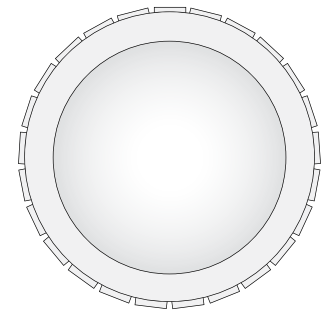
30 lbs

CEILING PLATE

13" Diameter

ELECTRICAL

3 x E12 4W LED Bulbs Only







All Lighting Design and Design Elements are ©2022 by Jonathan Browning Studios, Inc.

LOURMARIN FLUSH MOUNT

DESCRIPTION

The Lourmarin Flush Mount is machined from solid brass. The thick textured glass is made via casting and shows its density and strengths. All parts are hand polished and patina'd.

FINISHES

Shown in Oil Rubbed Bronze (standard). Please inquire about our other finishes. Note: All finishes may vary slightly.

SHADE

Textured Cast Glass.

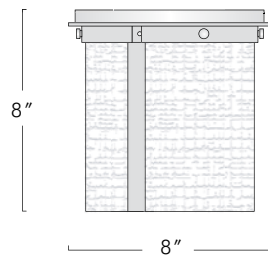
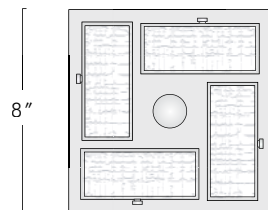
MODEL #	DIMENSIONS	NET WT.
2 1 2 8	8 W x 8 D x 8 H	28 lbs

CEILING PLATE

7.5" W x 7.5" D

ELECTRICAL

1 x E26 5.5W LED Bulb Only







All Lighting Design and Design Elements are ©2022 by Jonathan Browning Studios, Inc.

MAUBEC FLUSH MOUNT

DESCRIPTION

The Maubec Flush Mount is machined from solid brass. All parts are hand polished and patina'd. The lead crystal is machined and polished by hand.

FINISHES

Shown in Oil Rubbed Bronze (standard). Please inquire about our other finishes. Note: All finishes may vary slightly.

SHADE

Lead Crystal.

MODEL

2 1 2 9

DIMENSIONS

8 W x 7 D x 11 H

NET WT.

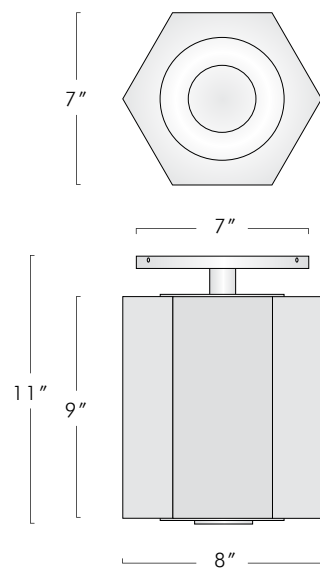
33 lbs

CEILING PLATE

7" Diameter

ELECTRICAL

3 x E26 5.5W LED Bulbs Only







All Lighting Design and Design Elements are © 2022 by Jonathan Browning Studios, Inc.

PÉRIGORD FLUSH MOUNT

DESCRIPTION

The Périgord Flush Mount is hand-made from thick-walled brass. All parts are hand polished and patina'd. Each lead crystal is machined and polished by hand.

FINISHES

Shown in Oil Rubbed Bronze (standard). Please inquire about our other finishes. Note: All finishes may vary slightly.

SHADE

Lead Crystal.

MODEL

1 8 2 7

DIMENSIONS

6 W x 6 D x 9 H

NET WT.

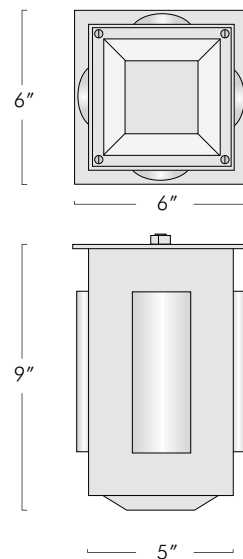
13 lbs

CEILING PLATE

6" W x 6" D

ELECTRICAL

1 x E26 5.5W LED Bulb Only







All Lighting Design and Design Elements are ©2022 by Jonathan Browning Studios, Inc.

PERRET FLUSH MOUNT

DESCRIPTION

The Perret Flush Mount is machined from solid brass. The outer hand-blown opalescent shade goes over the inner scalloped borosilicate shade and diffuses the light in a distinct circular pattern. All parts are hand polished and patina'd.

FINISHES

Shown in Oil Rubbed Bronze (standard). Please inquire about our other finishes. Note: All finishes may vary slightly.

SHADE

Outer opalescent shade and inner scalloped shade.

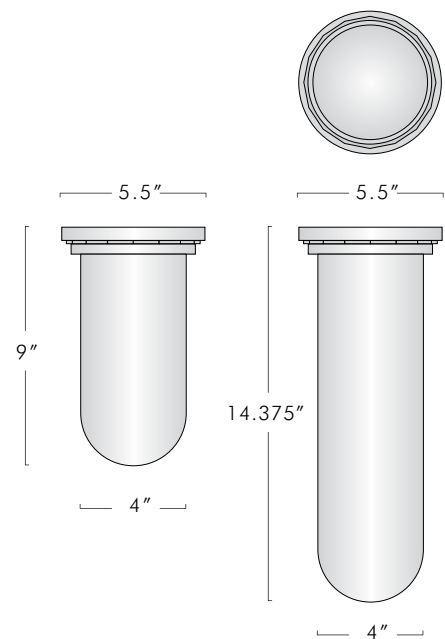
MODEL #	DIMENSIONS	NET WT.
2 0 2 8	5.5 DIA x 14.375 H (Standard)	10 lbs
2 1 0 1	5.5 DIA. x 9' H (Short)	7 lbs

CEILING PLATE

5.5" Diameter

ELECTRICAL

- 1 x E26 3.5W LED Bulb Only (Standard)
- 1 x E26 5.5W LED Bulb Only (Short)







All Lighting Design and Design Elements are ©2022 by Jonathan Browning Studios, Inc.

ROQUEBRUN FLUSH MOUNT

DESCRIPTION

The Roquebrun Flush Mount is machined from solid brass. The two frosted shades are secured by a knurled ring. Each frosted shade is hand-blown. All parts are hand polished and patina'd.

FINISHES

Shown in Oil Rubbed Bronze (standard). Please inquire about our other finishes. Note: All finishes may vary slightly.

SHADE

Frosted Glass.

MODEL

2 0 2 4

DIMENSIONS

13 W x 12 D x 15 H

NET WT.

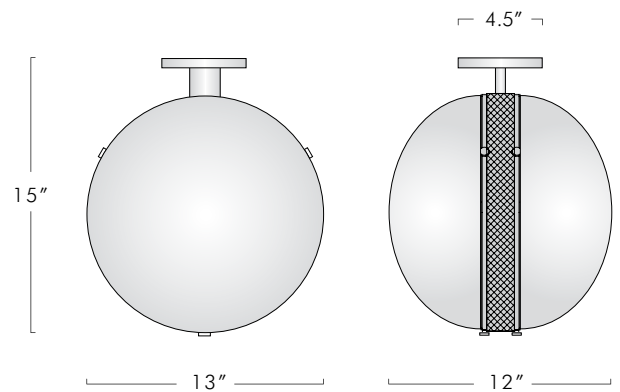
15 lbs

CEILING PLATE

4.5" Diameter

ELECTRICAL

1 x E26 7W LED Bulb Only







ROUVILLE FLUSH MOUNT

DESCRIPTION

The Rouville Flush Mount is machined from solid brass. The thick textured glass is made via casting and shows its density and strengths. All parts are hand polished and patina'd.

FINISHES

Shown in Oil Rubbed Bronze (standard). Please inquire about our other finishes. Note: All finishes may vary slightly.

SHADE

Textured Cast Glass.

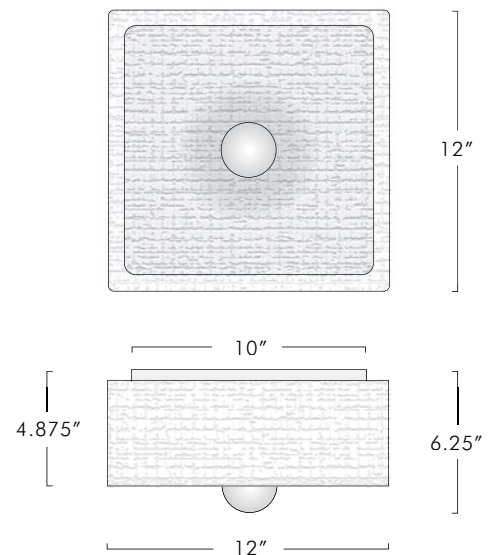
MODEL #	DIMENSIONS	NET WT.
2 2 1 9	12 D x 12 W x 6.25 H	31 lbs

CEILING PLATE

10" Diameter / J-Box on center

ELECTRICAL

1 x E26 5W LED Only







SHIELD FLUSH MOUNT

DESCRIPTION

The Shield Flush Mount casting is made of solid brass. Its body has been cast from a master carving using the investment cast process. The ceiling plate and stem have been machined by hand. All parts are hand polished and patina'd. The diffuser is borosilicate glass that is bead blasted.

FINISHES

Shown in Oil Rubbed Bronze with Black Bronze ceiling plate. Also available in Light Antique Bronze, Matte Nickel and Black Bronze. Note: All finishes may vary slightly.

SHADE

Textured Brass.

MODEL

2 3 0 8

DIMENSIONS

24 DIA x 4.5 H

NET WT.

18 lbs

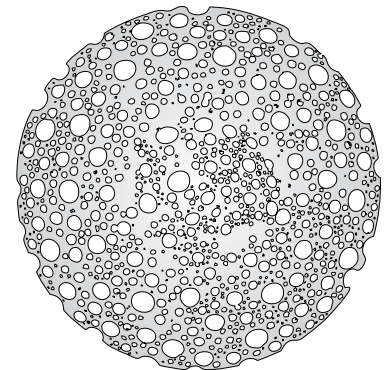
CEILING PLATE

4.5" Diameter - Centers on J-Box

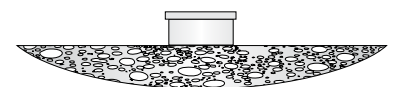
ELECTRICAL

4 x G9 3.5W LED bulb only

DIMMABLE
2700K



4.5"



24"





VILLIERS FLUSH MOUNT

DESCRIPTION

The Villiers Flush Mount is machined from solid brass. The thick textured glass is made via casting and shows its density and strengths. All parts are hand polished and patina'd.

FINISHES

Shown in Oil Rubbed Bronze (standard). Please inquire about our other finishes. Note: All finishes may vary slightly.

SHADE

Textured Cast Glass.

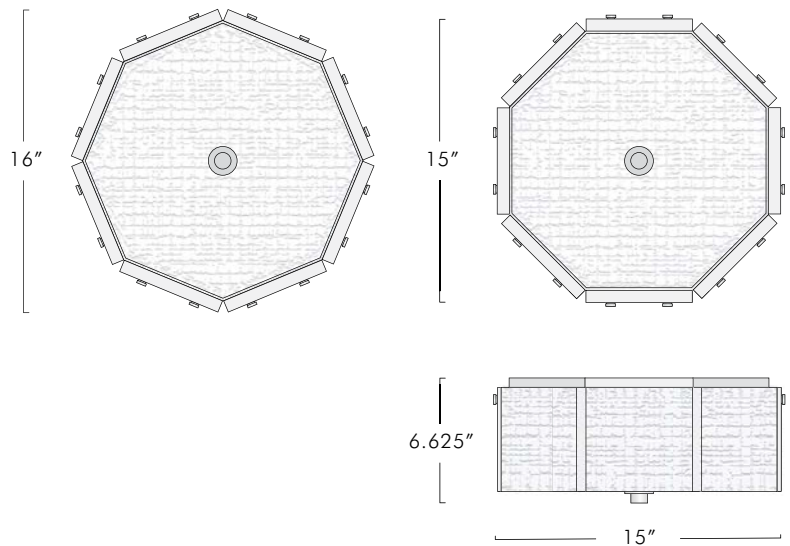
MODEL #	DIMENSIONS	NET WT.
2 1 0 6	15 D x 16 W x 6.625 H	48 lbs

CEILING PLATE

13.75" Diameter - Additional blocking is highly recommended

ELECTRICAL

4 x E26 7W LED Bulbs Only







VERMANDOIS FLUSH MOUNT

DESCRIPTION

The Vermandois Flush Mount is machined from solid brass. All parts are hand polished and patina'd. The frosted lens is held in place by a knurled brass cap.

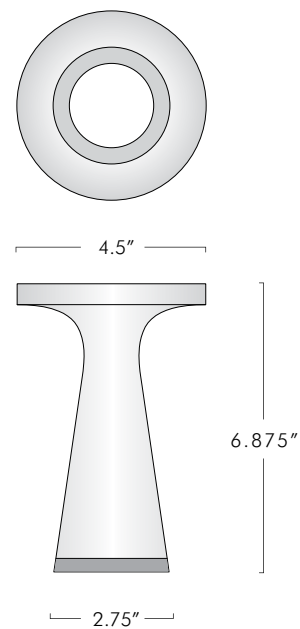
FINISHES

Shown in Oil Rubbed Bronze (standard). Please inquire about our other finishes. Note: All finishes may vary slightly.

MODEL #	DIMENSIONS	NET WT.
1730	4.5 Diameter x 6.875H	5 lbs

ELECTRICAL

1 x GU10 6W LED - 9W Max - LED Only







ALOUETTE OUTDOOR SCONCE

DESCRIPTION

The Alouette Outdoor Sconce is machined from solid brass. All parts are hand polished and powdercoated. Its shade is reeded borosilicate glass, fire-polished by hand.

FINISH

Black Bronze. Note: Finish may vary slightly.

SHADE

Reeded borosilicate glass. Also available in frosted glass. Two available sizes: 8.5" and 13.5" (shown in photos and line drawings).

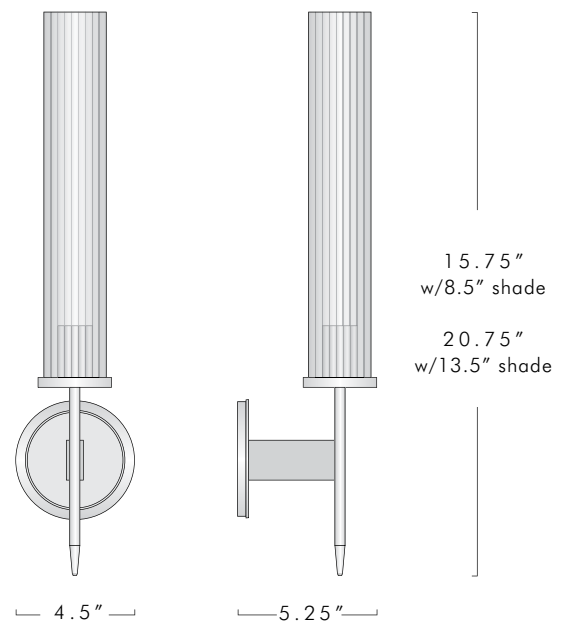
MODEL #	DIMENSIONS	NET WT.
1944	4.5 W x 5.25 D x 20.75 H	5 lbs

BACK PLATE / J-BOX

4.5" Diameter

ELECTRICAL

- 1 x E26 40w T8 (13.5" glass version) - 75w max
- 1 x E26 3.5w T8 LED filament bulb available
- 1 x E26 40w T10 (8.5" glass version) - 75w max
- 1 x E26 6w T10 LED filament bulb available







AMBOISE OUTDOOR SCONCE

DESCRIPTION

The Amboise Outdoor Sconce is machined completely by hand. All parts are hand polished and powdercoated. Its shade is reed-ed borosilicate glass, fire polished by hand.

FINISH

Black Bronze. Note: Finish may vary slightly.

SHADE

Reeded Borosilicate Glass. Also available in Frosted Glass.

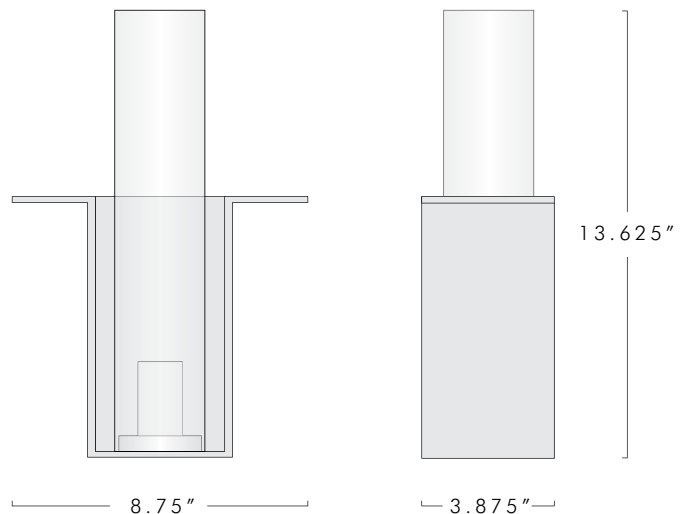
MODEL #	DIMENSIONS	NET WT.
1 9 4 3	8.75 W x 3.875 D x 13.625 H	5 lbs

BACK PLATE / J-BOX

4.75 W x 8 H / Top to J-Box center: 10.5"

ELECTRICAL

1 x E26 40w T8 - 75w max
1 x E26 3.5w T8 LED filament bulb available







BROUILLON OUTDOOR SCONCE

DESCRIPTION

The Brouillon Outdoor Sconce is made from solid brass. All parts are hand polished and powdercoated. The body is made from one continuous piece.

FINISH

Black Bronze. Note: Finish may vary slightly.

SHADE

Brass

MODEL

1940

DIMENSIONS

7" W x 4.25" D x 12" H

NET WT.

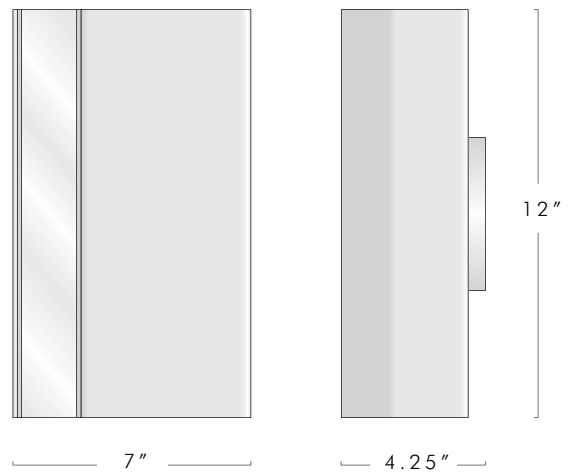
11 lbs

BACK PLATE / J-BOX

4.5" Diameter / Top to J-Box Center: 6"

ELECTRICAL

2 x G9 3.5W LED - 120W Max - LED Standard







LECLERC OUTDOOR SCONCE

DESCRIPTION

The Leclerc Outdoor Sconce is machined from solid brass. All parts are hand polished and powdercoated.

FINISH

Black Bronze. Note: Finish may vary slightly.

SHADE

Brass

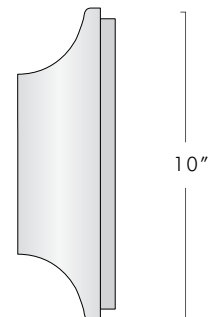
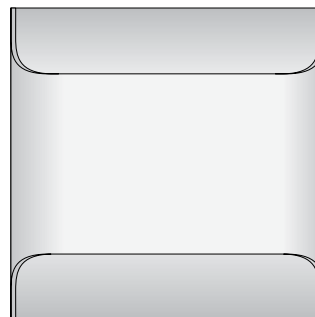
MODEL #	DIMENSIONS	NET WT.
1 9 4 1	10W x 3.125D x 10H	10 lbs

BACK PLATE / J-BOX

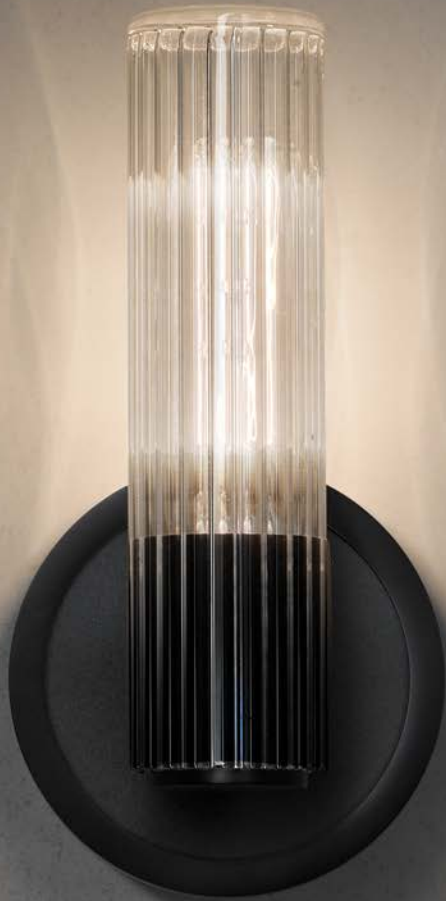
10" W x 10" H - Top to J-Box center: 5"

ELECTRICAL

2 x G9 3.5W - 120W Max - LED Standard







All Lighting Design and Design Elements are ©2020 by Jonathan Browning Studios, Inc.

PASTIS OUTDOOR SCONCE

DESCRIPTION

The Pastis Outdoor Sconce is machined from solid brass. All parts are hand polished and powdercoated. The reeded borosilicate glass shade is notched to delicately rest on the brass arm.

FINISH

Black Bronze. Note: Finish may vary slightly.

SHADE

Reeded Borosilicate Glass. Two available sizes: 8.5" and 12.5" (shown in photos and line drawings).

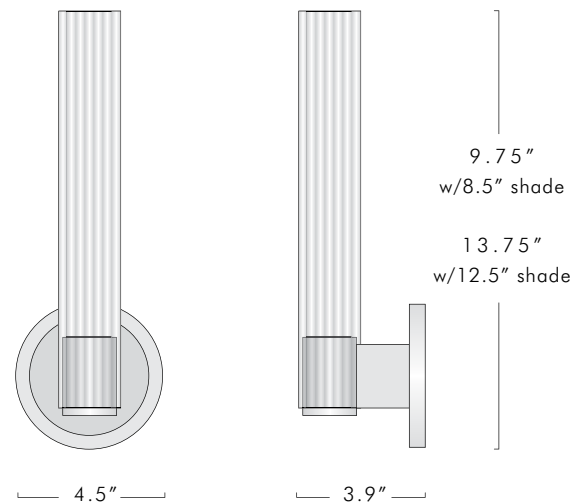
MODEL #	DIMENSIONS	NET WT.
1945	4.5 W x 3.9 D x 13.75 H	4 lbs

BACK PLATE / J-BOX

4.5" Diameter

ELECTRICAL

- 1 x E26 40w T8 (12.5" glass version) - 75w max
- 1 x E26 3.5w T8 LED filament bulb available
- 1 x E26 40w T10 (8.5" glass version) - 75w max
- 1 x E26 6w T10 LED filament bulb available







VENTOUX OUTDOOR SCONCE

DESCRIPTION

This reinterpretation of our original Ventoux Outdoor Sconce is machined by hand from solid brass. All parts are hand polished and powdercoated. The shade is bead blasted borosilicate glass.

FINISH

Black Bronze. Note: Finish may vary slightly.

SHADE

Frosted Glass.

MODEL

1 8 3 7

DIMENSIONS

4.5 W x 20.75 H x 6.375 D

NET WT.

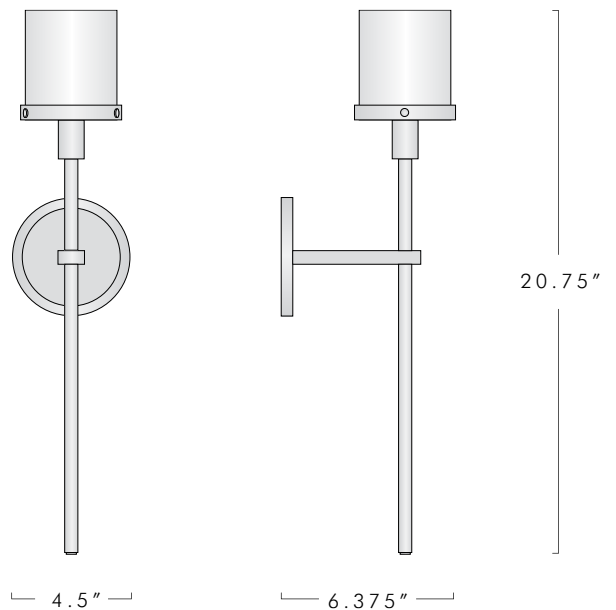
5 lbs

BACK PLATE / J-BOX

4.5" Diameter / Top to J-Box center: 10"

ELECTRICAL

1 x G9 3.5W LED - 60W Max - LED Standard







All Lighting Design and Design Elements are ©2024 by Jonathan Browning Studios, Inc.

DESSAY TASK LAMP

DESCRIPTION

The Dessay Task Lamp is machined from solid brass. All parts are hand polished and patina'd. The shade is made from ivory silk.

FINISHES

Shown in Lite Antique Bronze and Oil Rubbed Bronze (standard). Please inquire about our other finishes. Note: All finishes may vary slightly.

SHADE

Ivory Silk

MODEL

2 4 0 6

DIMENSIONS

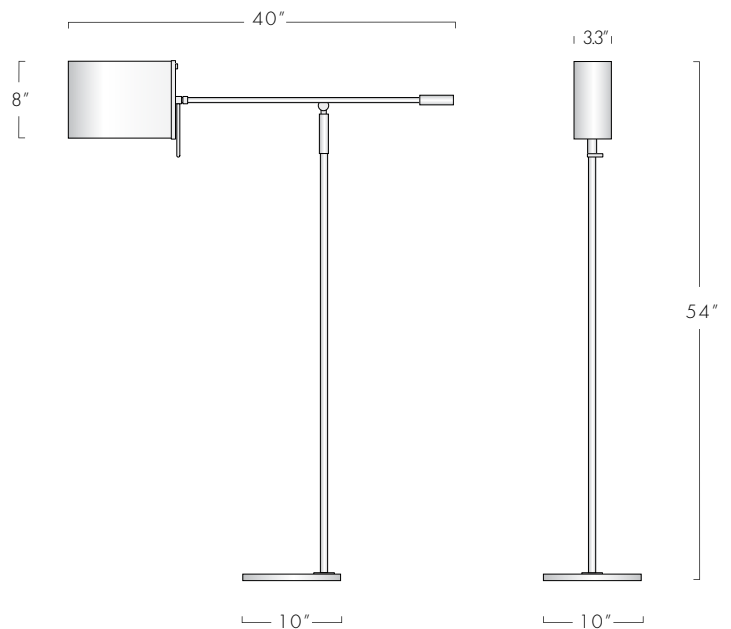
10 W x 40 D x 54 OAH

NET WT.

12 lbs

ELECTRICAL

1 x E26 A19 12W LED bulb only







All Lighting Design and Design Elements are © 2018 by Jonathan Browning Studios, Inc.

DUVERNOIS FLOOR LAMP

DESCRIPTION

The Duvernois Floor Lamp is made of solid brass. All parts are hand polished and patina'd. The frosted glass shade is surrounded by a column of brass fins. The base is clear glass.

FINISHES

Shown in Oil Rubbed Bronze (standard). Please inquire about our other finishes. Note: All finishes may vary slightly.

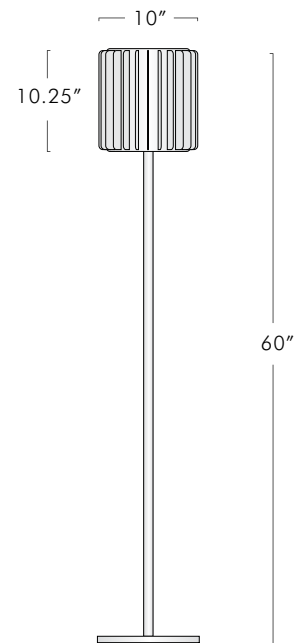
SHADE

Frosted Glass

MODEL #	DIMENSIONS	NET WT.
1 8 3 0	10 Dia x 60 H	24 lbs

ELECTRICAL

1 x E26 40W - 75W Max - LED Available







All Lighting Design and Design Elements are ©2022 by Jonathan Browning Studios, Inc.

SANNES FLOOR LAMP

DESCRIPTION

The Sannes Floor Lamp is machined from solid brass. All parts are hand polished and patina'd. The shade is made from ivory silk.

FINISHES

Shown in Oil Rubbed Bronze (standard). Please inquire about our other finishes. Note: All finishes may vary slightly.

SHADE

Ivory Pongee Silk.

MODEL

2 1 5 2

DIMENSIONS

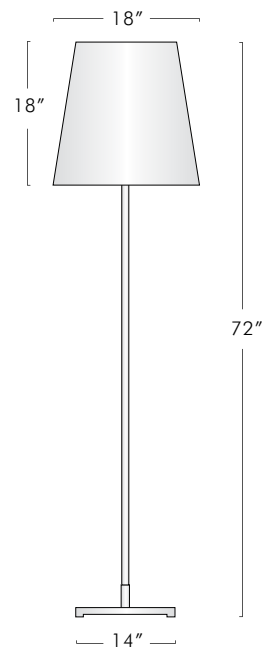
18 DIA x 72 H

NET WT.

9 lbs

ELECTRICAL

1 x E26 3.5W LED Bulb Only







All Lighting Design and Design Elements are ©2019 by Jonathan Browning Studios, Inc.

VANEAU TASK LAMP

DESCRIPTION

The Vaneau Task Lamp is machined from solid brass. All parts are hand polished and patina'd. The fixture body can pivot for directional light.

FINISHES

Shown in Oil Rubbed Bronze (standard). Please inquire about our other finishes. Note: All finishes may vary slightly.

SHADE

Brass

MODEL

1 8 0 2

DIMENSIONS

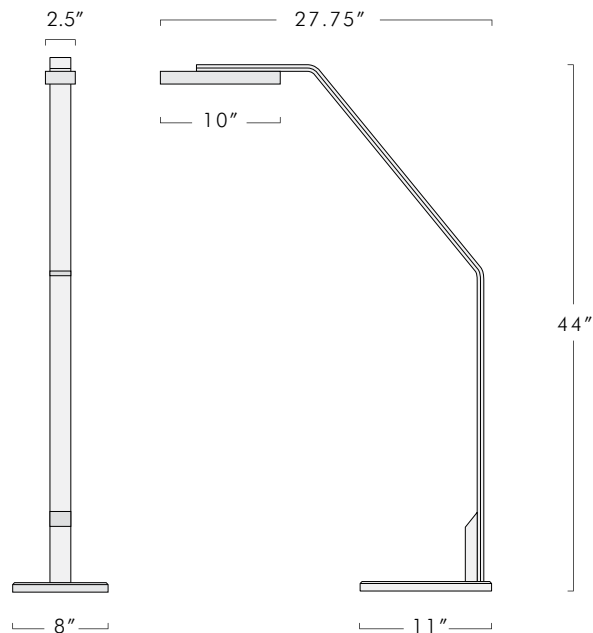
27.75" W x 8" D x 44" H

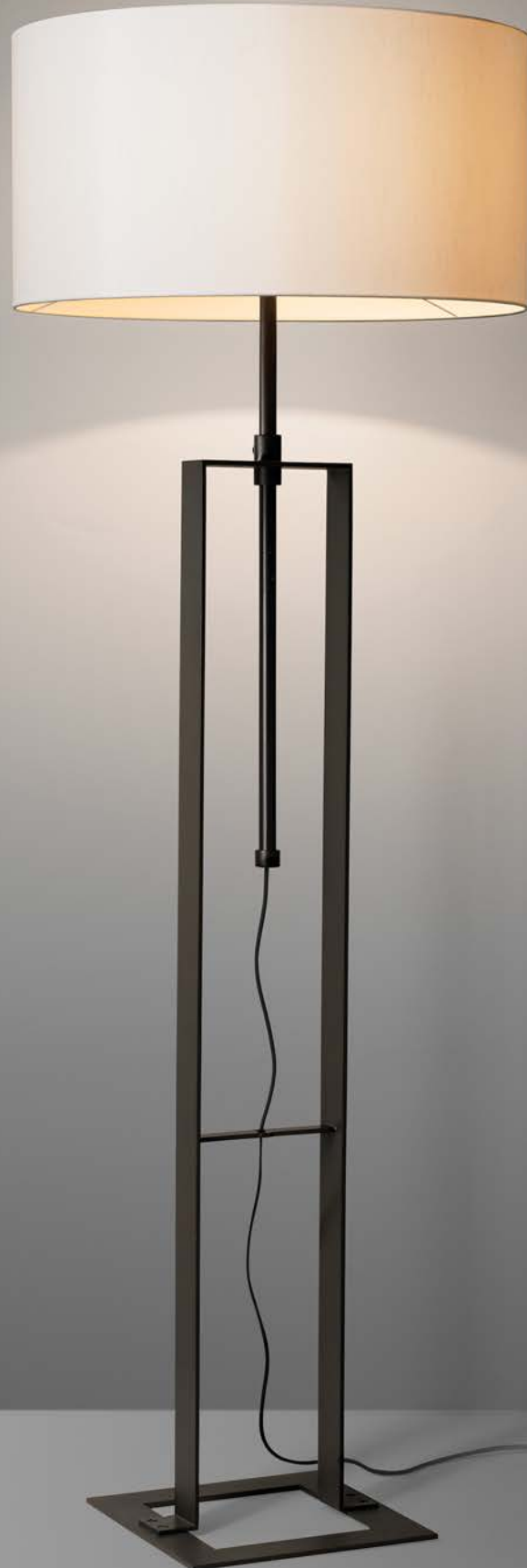
NET WT.

36 lbs

ELECTRICAL

1 x 6W LED Standard







VIDAME FLOOR LAMP

DESCRIPTION

The Vidame Floor Lamp is machined from solid brass. The frame is made by hand from thick-walled brass. All parts are hand polished and patina'd. The shade is made from ivory silk. The height of the lamp is adjustable.

FINISHES

Shown in Oil Rubbed Bronze (standard). Please inquire about our other finishes. Note: All finishes may vary slightly.

SHADE

Ivory Pongee Silk.

MODEL

2 1 0 2

DIMENSIONS

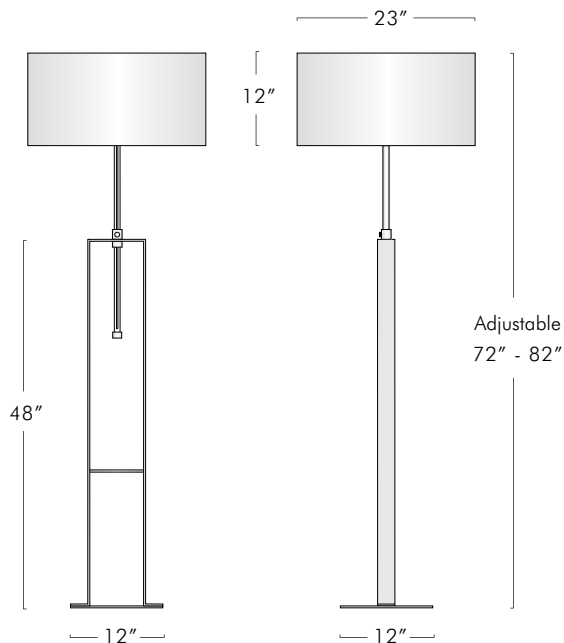
23 DIA x 72 H

NET WT.

30 lbs

ELECTRICAL

1 x E26 7W LED Bulb Only







All Lighting Design and Design Elements are ©2020 by Jonathan Browning Studios, Inc.

ANJOU TABLE LAMP

DESCRIPTION

The Anjou Table Lamp is made of solid bronze. Its base has been cast from a master carving using the investment cast process. All parts are hand polished and patina'd.

FINISHES

Shown in Oil Rubbed Bronze (standard). Please inquire about our other finishes. Note: All finishes may vary slightly.

SHADE

Ivory Silk.

MODEL #

1 8 3 4

DIMENSIONS

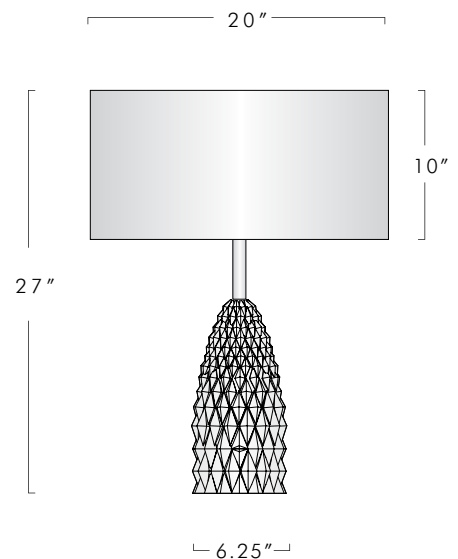
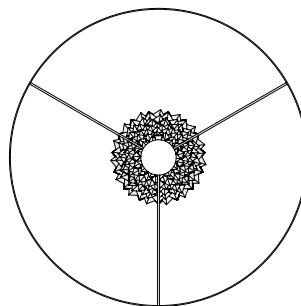
20 DIA x 27 H

NET WT.

28 lbs

ELECTRICAL

1 x E26 8W LED Bulb - 75W Max - LED Standard



DIMMABLE
2700K





AMBRAULT TABLE LAMP

DESCRIPTION

The Ambrault Table Lamp body is made via castings from a master carving using the investment cast process. All parts are hand polished and patina'd.

FINISHES

Shown in Oil Rubbed Bronze (standard). Please inquire about our other finishes. Note: All finishes may vary slightly.

SHADE

Ivory Silk.

MODEL

2 2 0 3

DIMENSIONS

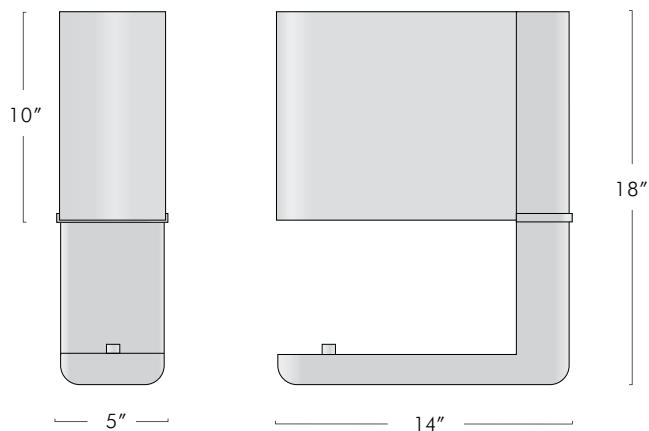
5W x 14D x 18H

NET WT.

12 lbs

ELECTRICAL

1 x E26 6W LED Bulb Only







All Lighting Design and Design Elements are ©2018 by Jonathan Browning Studios, Inc.

DESMOULINS TABLE LAMP

DESCRIPTION

The Desmoulins Table Lamp is made of solid brass. All parts are hand polished and patina'd. The base is cast from a master carving using the investment cast process.

FINISHES

Shown in Oil Rubbed Bronze (standard). Please inquire about our other finishes. Note: All finishes may vary slightly.

SHADE

Ivory Silk.

MODEL

1718

DIMENSIONS

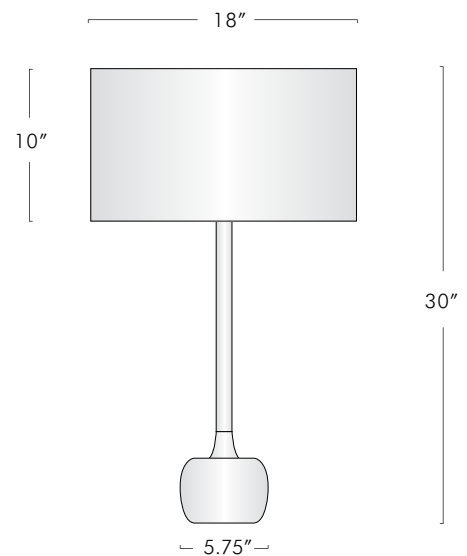
18 DIA x 30 H

NET WT.

10 lbs

ELECTRICAL

1 x E26 12W LED Bulb only



DIMMABLE
2700K





All Lighting Design and Design Elements are ©2023 by Jonathan Browning Studios, Inc.

GIRARDOT TABLE LAMP

DESCRIPTION

The Girardot Table Lamp base is made from thick-walled brass tubing and travertine. All parts are hand polished and patina'd. The shades are made from ivory silk.

FINISHES

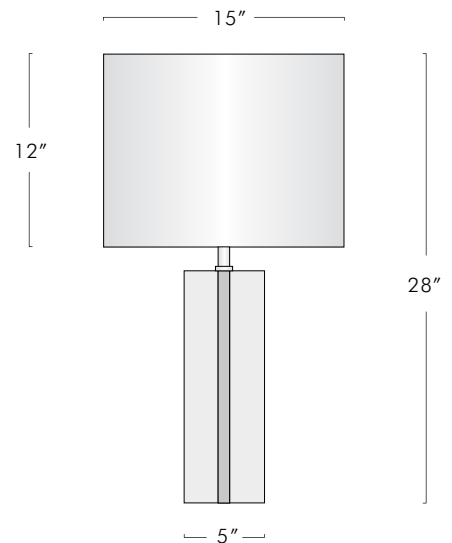
Shown in Oil Rubbed Bronze (standard). Please inquire about our other finishes. Note: All finishes may vary slightly.

SHADE

Ivory Silk.

MODEL #	DIMENSIONS	NET WT.
2 2 4 0	15 DIA x 28 H	12 lbs

ELECTRICAL
1 x E26 A19 12W LED







All Lighting Design and Design Elements are ©2018 by Jonathan Browning Studios, Inc.

DUVERNOIS TABLE LAMP

DESCRIPTION

The Duvernois Table Lamp is made of solid brass. All parts are hand polished and patina'd. The frosted glass shade is surrounded by a column of brass fins. The base is clear glass.

FINISHES

Shown in Oil Rubbed Bronze (standard). Please inquire about our other finishes. Note: All finishes may vary slightly.

SHADE

Frosted Glass.

MODEL

1 8 2 9

DIMENSIONS

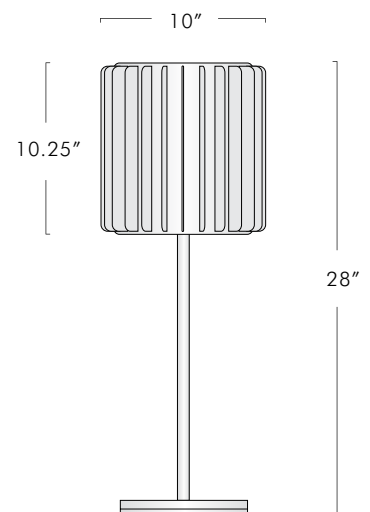
10 DIA x 28 H

NET WT.

20 lbs

ELECTRICAL

1 x E26 40W - 75W Max - LED Available







**GLAÇON RECTANGULAR
TABLE LAMP**

DESCRIPTION

The Glaçon Rectangular Table Lamp is machined from solid brass. All parts are hand polished and patina'd. Each lead crystal half is hand carved and polished, held in place by 4 individual brass pins.

FINISHES

Shown in Oil Rubbed Bronze (standard). Please inquire about our other finishes. Note: All finishes may vary slightly.

SHADE

Lead Crystal.

MODEL #

1 7 1 3

DIMENSIONS

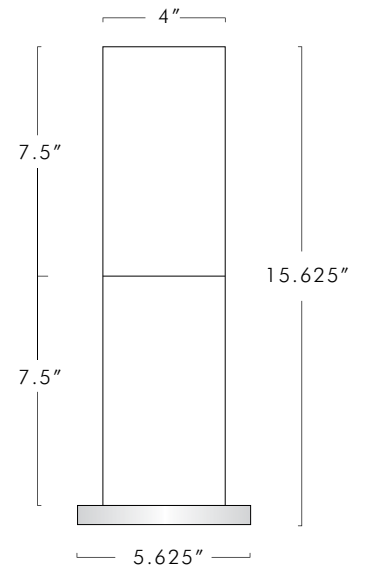
5.625W x 15.625H

NET WT.

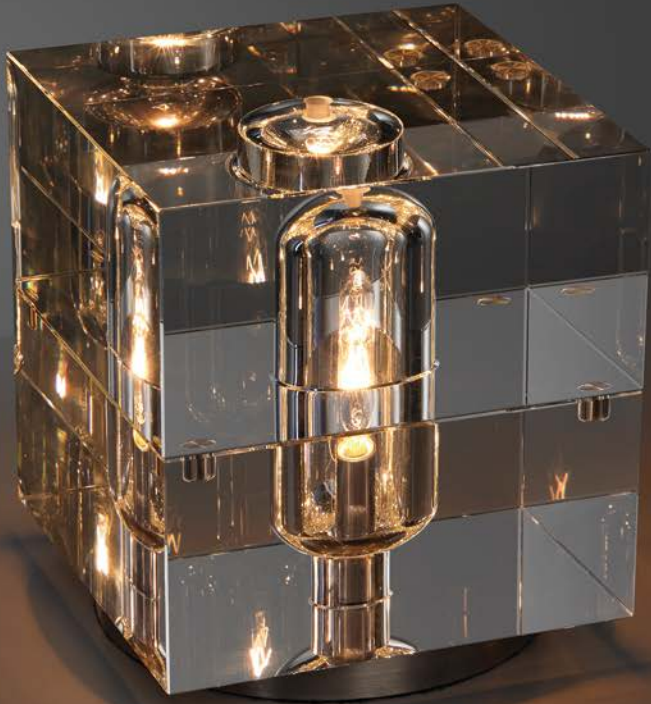
18 lbs

ELECTRICAL

1 x E26 40W - 75W Max - LED Available







All Lighting Design and Design Elements are ©2018 by Jonathan Browning Studios, Inc.

GLAÇON SQUARE TABLE LAMP

DESCRIPTION

The Glaçon Square Table Lamp is machined from solid brass. All parts are hand polished and patina'd. Each lead crystal half is hand carved and polished, held in place by 4 individual brass pins.

FINISHES

Shown in Oil Rubbed Bronze (standard). Please inquire about our other finishes. Note: All finishes may vary slightly.

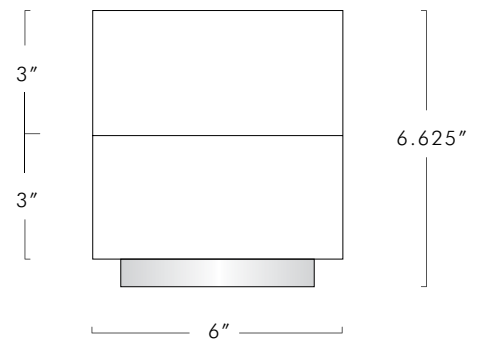
SHADE

Lead Crystal.

MODEL #	DIMENSIONS	NET WT.
1714	6W x 6D x 6.625H	23 lbs

ELECTRICAL

1 x E12 25W - 40W Max - LED Available







All Lighting Design and Design Elements are ©2020 by Jonathan Browning Studios, Inc.

MONTPENSIER TABLE LAMP

DESCRIPTION

The Montpensier Table Lamp is made of solid bronze. Its base has been cast from a master carving using the investment cast process. All parts are hand polished and patina'd.

FINISHES

Shown in Oil Rubbed Bronze (standard). Please inquire about our other finishes. Note: All finishes may vary slightly.

SHADE

Ivory Silk.

MODEL #

1 9 2 4

DIMENSIONS

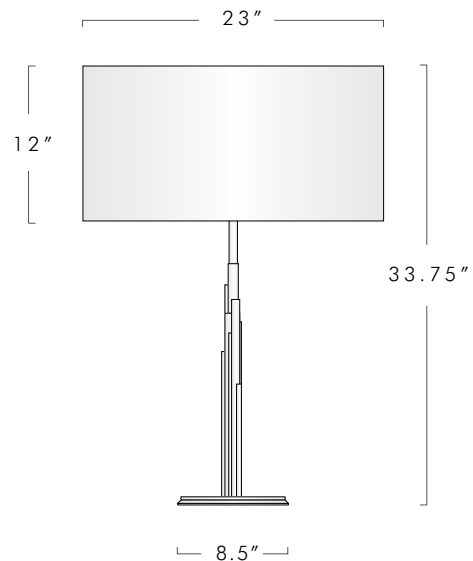
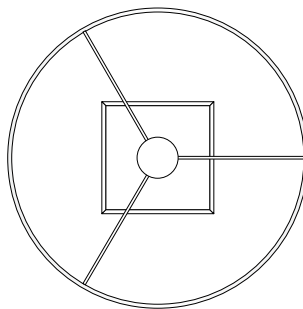
20 DIA x 33.5 H

NET WT.

28 lbs

ELECTRICAL

1 x E26 8W LED - 75W Max - LED Standard



DIMMABLE
2700K





TOURVILLE TABLE LAMP

DESCRIPTION

The Tourville Table Lamp is machined from solid brass. All parts are hand polished and patina'd. The shade can be positioned at various angles.

FINISHES

Shown in Lite Antique Bronze and Black Bronze (standard). Please inquire about our other finishes. Note: All finishes may vary slightly.

SHADE

Brass.

MODEL

1 9 2 8

DIMENSIONS

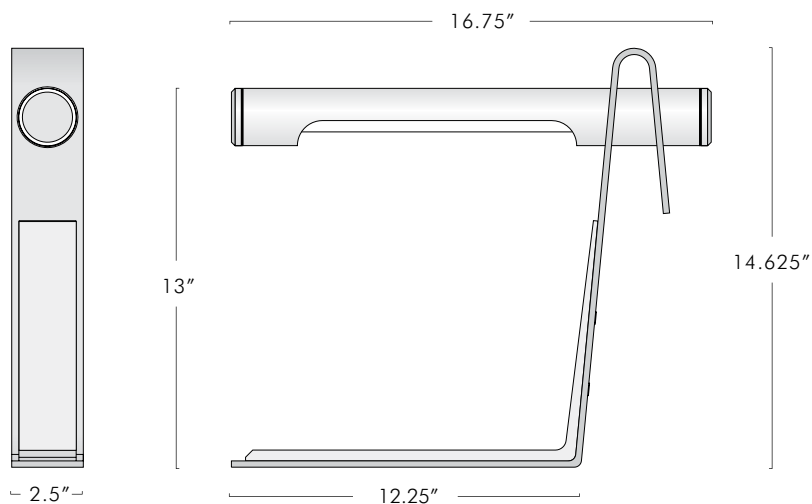
16.75 W x 2.5 D x 14.625 H

NET WT.

12 lbs

ELECTRICAL

1 x E26 3.5W LED - 75W Max - LED Standard







All Lighting Design and Design Elements are ©2011 by Jonathan Browning Studios, Inc.

VENTOUX TABLE LAMP

DESCRIPTION

The Ventoux Table Lamp is machined from solid brass. All parts are hand polished and plated. The metal shade is turned by hand on a lathe.

FINISHES

Shown in Oil-rubbed Bronze (standard). Please inquire about our other finishes. Note: All finishes may vary slightly.

SHADE

Metal. Also available in Clear Glass or Frosted Glass.

MODEL #

1 1 3 1

DIMENSIONS

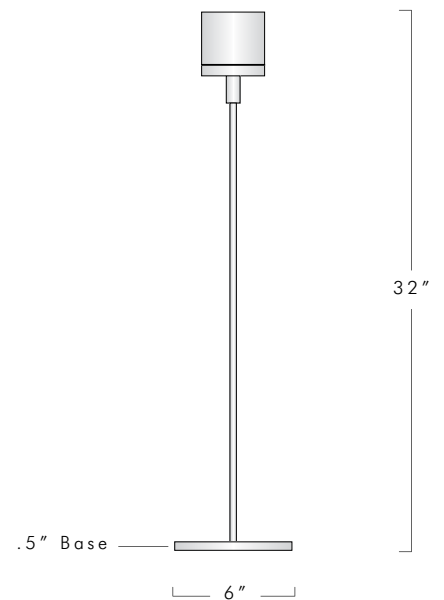
6" Diam. x 32 H

NET WT.

9 lbs

ELECTRICAL

1x E12 - 60w max - LED Available



DIMMABLE
2700K





ANJOU COCKTAIL TABLE

DESCRIPTION

The Anjou Cocktail Table is made of solid bronze. It's base has been cast from a master carving using the investment cast process. All parts are hand polished and plated.

FINISHES

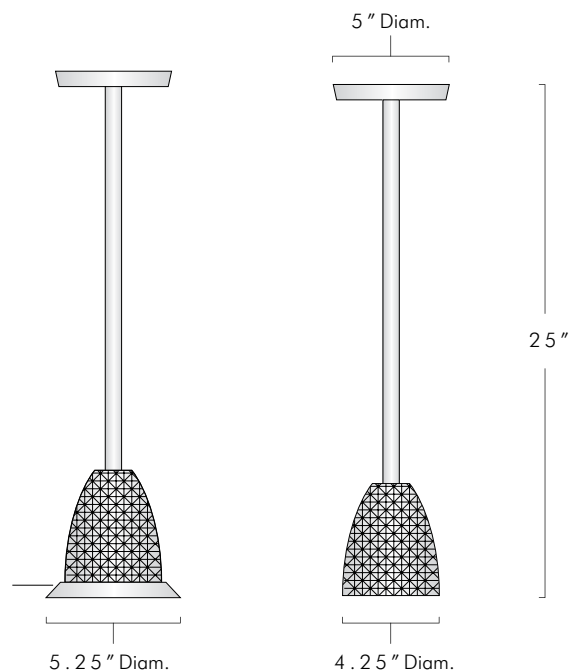
Shown in Oil Rubbed Bronze (standard). Please inquire about our other finishes. Note: All finishes may vary slightly.

MODEL #	DIMENSIONS	NET WT.
0910	5" Diam. x 25" H	10 lbs

BASE

4.25" Diameter. An optional 5.25" diameter base plate for carpeted applications is available.

Optional 5.25" Diam. x .5 H base plate for carpeted applications.







LEDOUX COCKTAIL TABLE

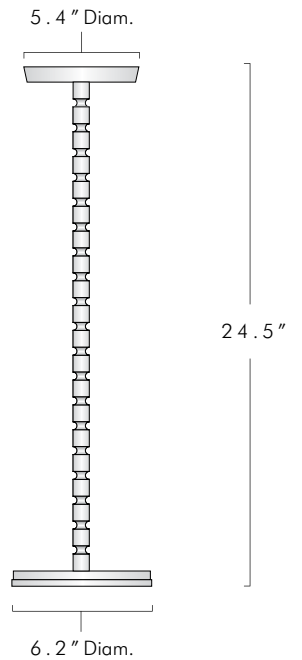
DESCRIPTION

The Ledoux Cocktail Table is machined by hand from solid brass. All parts are hand polished and patina'd.

FINISHES

Shown in Oil Rubbed Bronze (standard). Please inquire about our other finishes. Note: All finishes may vary slightly.

MODEL #	DIMENSIONS	NET WT.
1 6 1 7	6.2" Diam. x 24.5 H	10.75 lbs







All Lighting Design and Design Elements are ©2019 by Jonathan Browning Studios, Inc.

MACHAUT FIRESCREEN

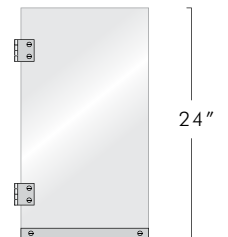
DESCRIPTION

The Machaut Firescreen is machined from solid brass. All parts are hand polished and patina'd. The brass trim sits flush against each piece of tempered glass. The machined custom hinges allow any desired orientation.

FINISHES

Shown in Oil Rubbed Bronze (standard). Please inquire about our other finishes. Note: All finishes may vary slightly.

MODEL #	DIMENSIONS	NET WT.
1 9 1 2	50.25" W x 14.25" D x 24" H	50 lbs







All Lighting Design and Design Elements are © 2019 by Jonathan Browning Studios, Inc.

PASCAL FIRESCREEN

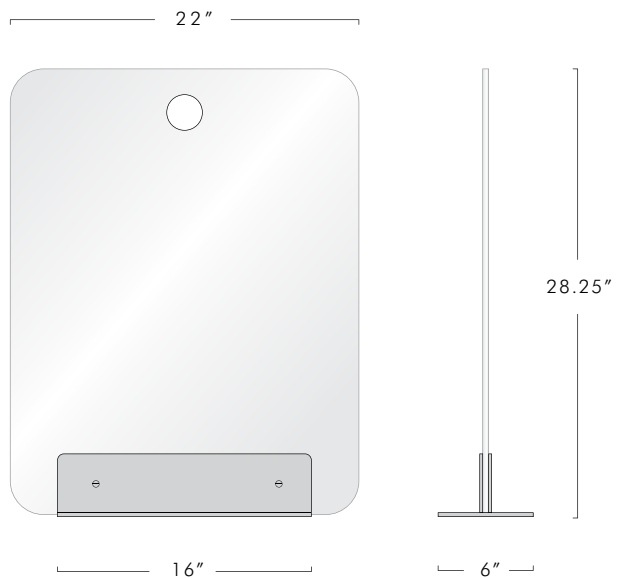
DESCRIPTION

The Pascal Firescreen is machined by hand from solid brass. All parts are hand polished and patina'd. The tempered glass is secured safely within the brass frame.

FINISHES

Shown in Oil Rubbed Bronze (standard). Please inquire about our other finishes. Note: All finishes may vary slightly.

MODEL #	DIMENSIONS	NET WT.
1909	22" W x 6" D x 28.25" H	35 lbs







All Lighting Design and Design Elements are ©2009 by Jonathan Browning Studios, Inc.

QUENTIN COCKTAIL TABLE

DESCRIPTION

The Quentin Cocktail Table is made by hand from thick-walled brass. All parts are hand polished and patina'd. The crystal trays are machined and polished by hand.

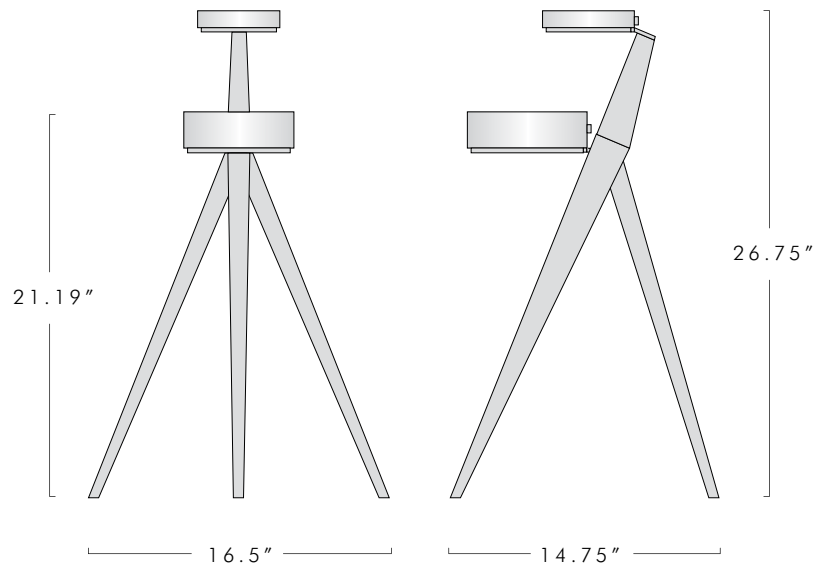
FINISHES

Shown in Oil Rubbed Bronze (standard). Please inquire about our other finishes. Note: All finishes may vary slightly.

TRAY

Clear Crystal.

MODEL #	DIMENSIONS	NET WT.
1 9 0 7	16.5W x 14.75D x 26.75H	15 lbs







All Lighting Design and Design Elements are ©2021 by Jonathan Browning Studios, Inc.

TIGRES FIRESCREEN

DESCRIPTION

The Tigres Firescreen is machined from solid brass. Its four corners are fitted in a tongue and groove pattern. All parts are hand polished and plated. The 12mm rods are made from borosilicate glass for strength and safety.

FINISHES

Shown in Oil Rubbed Bronze (standard). Please inquire about our other finishes. Note: All finishes may vary slightly.

MODEL #	DIMENSIONS	NET WT.
1 9 2 5	40 W x 10 D x 30 H	58 lbs

